

NOTES:

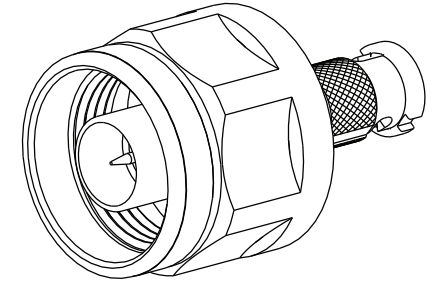
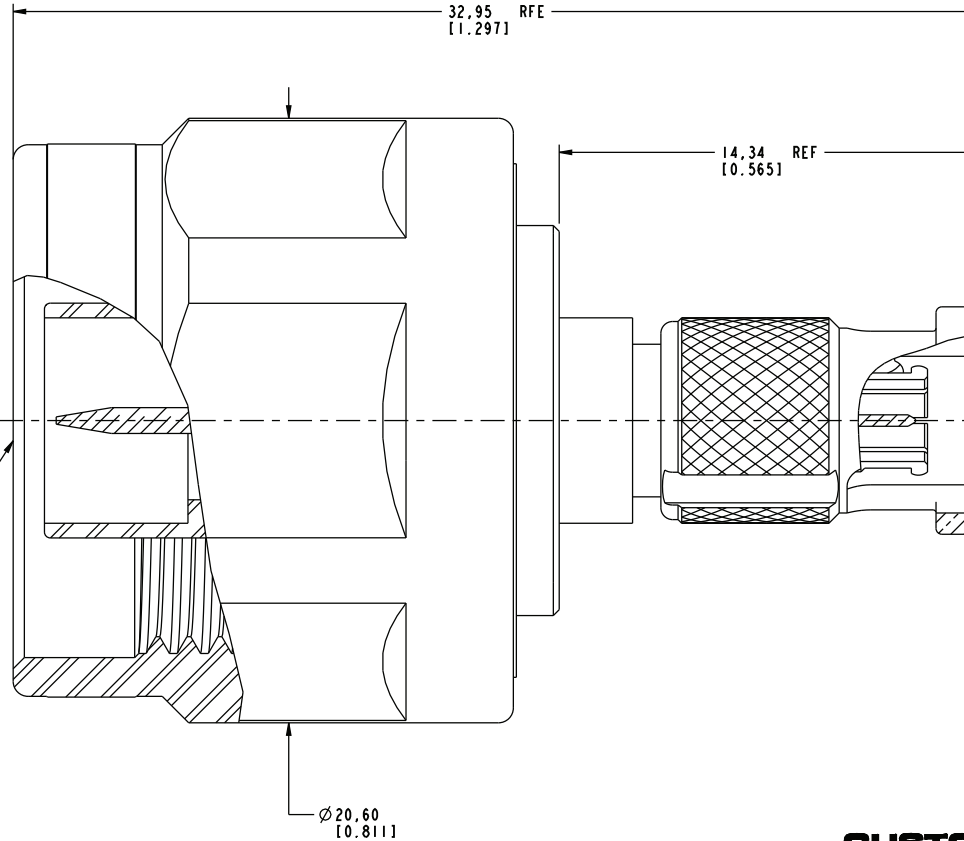
1. MATERIALS AND FINISHES:
 - BODY - STAINLESS STEEL, PASSIVATED
 - CONTACT - BeCu, GOLD PLATING
 - OUTER CONTACT - BeCu, NICKEL PLATING
 - INSULATOR - PTFE
 - BAYONET - BRASS, NICKEL PLATING
2. ELECTRICAL:
 - A. IMPEDANCE: 75 OHM
 - B. FREQUENCY RANGE: DC - 4 GHz
3. MECHANICAL:
 - A. DURABILITY: 500 CYCLES MIN.
 - B. TEMPERATURE RANGE: -65° C TO +100° C
4. PACKAGING:
 - A. QUANTITY: SINGLE PACK
 - B. MARKING: BAG TO BE MARKED "AMPHENOLRF, APH-NP-HDBNCP, AND DATE CODE"

THIRD ANGLE PROJ.

REVISIONS

REV	DESCRIPTION	DATE	ECO	APPR
I	PROTOTYPE RELEASE	29-Mar-10	--	KR

INTERFACE PER
MIL-STD-348
SERIES: N, PLUG, 75 OHM



SCALE 2.500

CUSTOMER OUTLINE DRAWING
ALL OTHER SHEETS ARE FOR INTERNAL USE ONLY

UNLESS OTHERWISE SPECIFIED, DIMENSIONS ARE IN METRIC AND TOLERANCES ARE: <0.5mm ±0.05mm 0.5 - 6mm ±0.1mm 6 - 30mm ±0.2mm 30 - 120mm ±0.3mm ANGLES ±1°	MATERIAL	DRAWN	DATE	TITLE ADAPTOR, 75 OHM N PLUG TO HD BNC PLUG	Amphenol RF Danbury CT USA, Tainan, Taiwan, Shenzhen, China www.amphenolrf.com
	SEE NOTES	KARTHIK R	29-Mar-10		
NOTICE - These drawings, specifications, or other data (1) are, and remain the property of Amphenol corp. (2) must be returned upon request; and (3) are confidential and not to be disclosed to any person other than those to whom they are given by Amphenol Corp. The furnishing of these drawings, specifications, or other data by Amphenol Corp., or to any other person to anyone for any purpose is not to be regarded by implication or otherwise in any manner licensing, granting rights to permitting such holder or any other person to manufacture, use or sell any product, process or design, patented or otherwise, that may in any way be related to or disclosed by said drawings, specifications, or other data.	REFERENCE	ENGINEER	DATE	SCALE: 6.0:1.0	SHEET 2 OF 2
	EAR # 4100	KARTHIK R	29-Mar-10	APPROVED	DWG SIZE
CONFIGURATION LEVEL: Prototype	FINISH	Root Folder/HD-BNC/APH-NP-HDBNCP		B	I
					DRAWING NO. APH-NP-HDBNCP ITEM NO. APH-NP-HDBNCP PART NO. APH-NP-HDBNCP