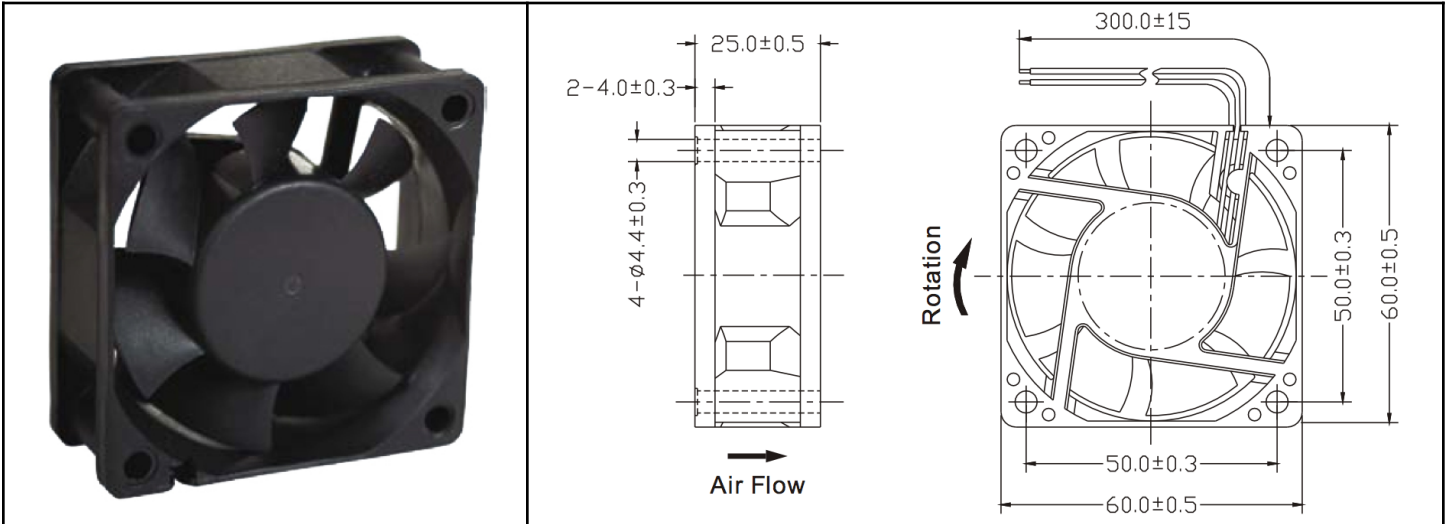


# OD6025-60LB



60V DC Fan  
60x25mm (2.36"x 1.0")



Frame & Impeller	PBT, UL94V-O plastic	<b>Available Options:</b> Tachometer O/P Alarm Thermal Control PWM	
Connection	2x Lead wires - Red(+) Black (-)		
Motor	Brushless DC, auto restart, impedance and polarity protected		
Bearing System	Dual Ball bearing		
Insulation Resistance	10M ohm between leadwire and frame (500VDC)		
Dielectric Strength	1 second at 500 VAC, max leakage - 500 MicroAmp		
Temperature Range	-10C ~ +70C		
Life (L10)	60,000 hours (45C)		

Model Number	OD6025-60LB
Part Number	163741004
Nominal Voltage	60 VDC
Voltage Range	36 ~ 72 VDC
Nominal Current	0.20 A
Rated Speed (RPM)	5000
Airflow (CFM)	26
Noise Level (dB)	37
Max. Static Pressure	0.28" H <sub>2</sub> O