

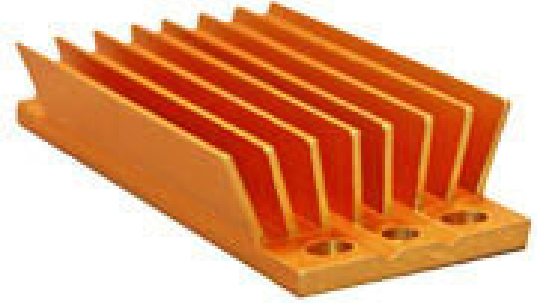


maxiFLOW™ Heat Sink for Eighth Brick DC-DC Converter

ATS PART # ATS-1179-C1-R0

Features & Benefits

- » High performance maxiFLOW™ design features less pressure drop and more surface area that maximizes the effective convection (air) cooling
- » Hole pattern fits standard eighth power brick modules
- » Pre-assembled with Chomerics T766 phase change material
- » Heat sink assembly packaged with 3 sets of screws (M3 Philips Pan Head) at 5, 6 and 8 mm lengths



*Image is for illustration purposes only.

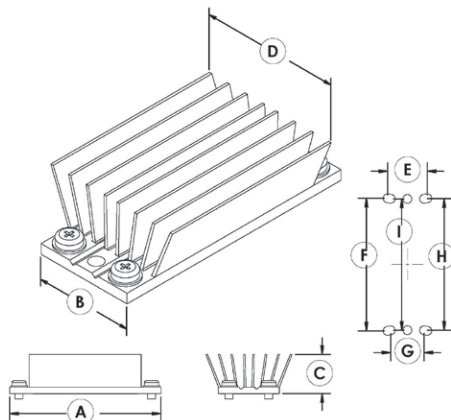
| Assembly Part Number | Length (mm) |
|----------------------|-------------|
| 4 Screws per Set | |
| ATS-1179-C2-R0 | 5 |
| ATS-1179-C3-R0 | 6 |
| ATS-1179-C4-R0 | 8 |

Thermal Performance

| AIR VELOCITY | | 6.19THERMAL RESISTANCE | |
|--------------|-----|------------------------|--------------------|
| FT/MIN | M/S | °C/W (UNDUCTED FLOW) | °C/W (DUCTED FLOW) |
| 200 | 1.0 | 7.3 | 3.4 |
| 300 | 1.5 | 4.9 | |
| 400 | 2.0 | 4.0 | |
| 500 | 2.5 | 3.4 | |
| 600 | 3.0 | 3.1 | |
| 700 | 3.5 | 2.9 | |
| 800 | 4.0 | 2.7 | |

Product Details

| DIMENSION A | DIMENSION B | DIMENSION C | DIMENSION D | DIMENSION E | DIMENSION F | DIMENSION G | DIMENSION H | DIMENSION I | INTERFACE MATERIAL | FINISH |
|-------------|-------------|-------------|-------------|-------------|-------------|-------------|-------------|-------------|--------------------|---------------|
| 58.0 mm | 23.0 mm | 11.4 mm | 30.2 mm | 15.2 mm | 50.8 mm | 12.8 mm | 50.4 mm | 51.3 mm | CHOMERICS T766 | GOLD ANODIZED |



NOTES:

- 1) Thermal performance data are provided for reference only. Actual performance may vary by application.
- 2) ATS reserves the right to update or change its products without notice to improve the design or performance.
- 3) Standard lead time is 4-6 weeks ARO.
- 4) Contact ATS to learn about custom options available.
- 5) Dimension C = heat sink height from bottom of the base to the top of the fin field.
- 6) Dimension D = Fin Tip to Fin Tip
- 7) Dimension E = Hole Width
- 8) Dimension F = Hole Length
- 9) Dimension G = Short Hole Width
- 10) Dimension H = Short Hole Length
- 11) Dimension I = Center Hole



ATS ADVANCED THERMAL SOLUTIONS, INC.
Innovations in Thermal Management®

For further technical information, please contact Advanced Thermal Solutions, Inc.

89-27 ACCESS ROAD, NORWOOD, MA 02062 USA | T: 781.769.2800 F: 781.769.9979 | WWW.QATS.COM

REV4_0117