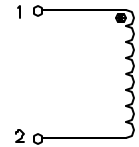


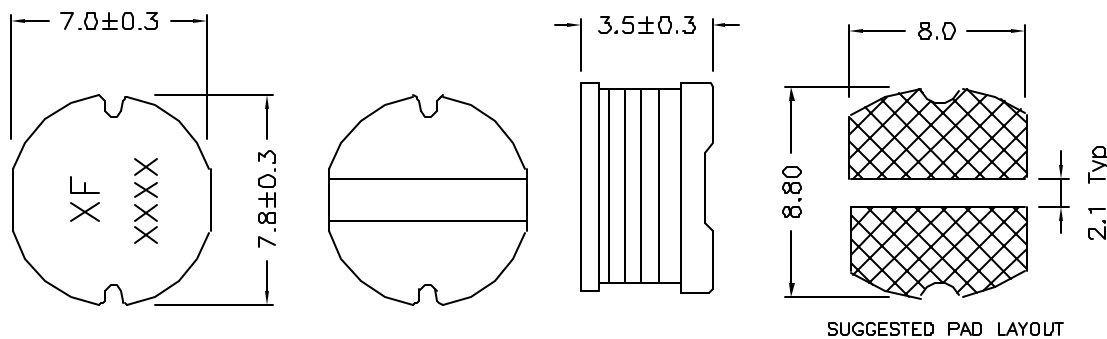
XFSDR73 SERIES INDUCTORS

- * LOW PROFILE SMD TYPE FOR HIGH CURRENT APPLICATION
- * TAPE AND REEL PACKAGING FOR HIGH VOLUME MANUFACTURING
1000 PCS PER 13" REEL
- * FOR DC/DC CONVERTERS, DC/AC INVERTERS, VRM APPLICATIONS
- * TEMP. RISE; 30°C TYPICAL ABOVE 60°C AMBIENT
- * OPERATING TEMP.: -40°C TO +85°C
- * FLAMMABILITY: UL94V-0

Schematic:



Mechanical Dimensions:



Part Number	INDUCTANCE (uH)	Test Frequency (Hz)	Resistance DCR Max (Ohms)	Rated Current IDC Max (Amps)
XFSDR73-100_	10.0	2.52M	0.080	1.44
XFSDR73-120_	12.0	2.52M	0.090	1.39
XFSDR73-150_	15.0	2.52M	0.100	1.24
XFSDR73-180_	18.0	2.52M	0.110	1.12
XFSDR73-220_	22.0	2.52M	0.130	1.07
XFSDR73-270_	27.0	2.52M	0.150	0.94
XFSDR73-330_	33.0	2.52M	0.170	0.85
XFSDR73-390_	39.0	2.52M	0.220	0.74
XFSDR73-470_	47.0	2.52M	0.250	0.68
XFSDR73-560_	56.0	2.52M	0.280	0.64
XFSDR73-680_	68.0	2.52M	0.330	0.59
XFSDR73-820_	82.0	2.52M	0.410	0.54
XFSDR73-101_	100.0	1K	0.480	0.51
XFSDR73-121_	120.0	1K	0.540	0.49
XFSDR73-151_	150.0	1K	0.750	0.40
XFSDR73-181_	180.0	1K	1.020	0.36
XFSDR73-221_	220.0	1K	1.200	0.31
XFSDR73-271_	270.0	1K	1.310	0.29
XFSDR73-331_	330.0	1K	1.500	0.28

Tolerances: J=5%, K=10%, M=20%