

PLEASE CHECK WWW.MOLEX.COM FOR LATEST PART INFORMATION

Part Number: [0003061043](#)
Status: **Active**
Overview: [standard_062](#)
Description: 1.57mm (.062") Diameter Standard .062 Pin and Socket Receptacle Housing, Dual row, with Panel Mount Ears, PA Polyamide Nylon 6/6, UL 94V-2, 4 Circuits

Documents:

3D Model	Packaging Specification (PDF)
Drawing (PDF)	RoHS Certificate of Compliance (PDF)

Agency Certification

CSA	LR19980
UL	E29179

General

Product Family	Crimp Housings
Series	2004
Overview	standard_062
Product Name	Standard .062"

Physical

Circuits (maximum)	4
Circuits Detail	(2 x 2)
Color - Resin	Natural
Flammability	94V-2
Gender	Female
Glow-Wire Compliant	No
Lock to Mating Part	Yes
Material - Resin	Nylon
Number of Rows	2
Packaging Type	Bag
Panel Mount	Yes
Pitch - Mating Interface (in)	0.145 In
Pitch - Mating Interface (mm)	3.68 mm
Polarized to Mating Part	Yes
Stackable	No
Temperature Range - Operating	-40°C to +105°C

Electrical

Current - Maximum per Contact	5A
-------------------------------	----

Material Info

Old Part Number	2004-R
-----------------	--------

Reference - Drawing Numbers

Sales Drawing	SD-2004-*
---------------	-----------

EU RoHS
ELV and RoHS
Compliant
REACH SVHC
Contains SVHC: No
Halogen-Free
Status
Not Reviewed

China RoHS



Need more information on product environmental compliance?

Email productcompliance@molex.com
 For a multiple part number RoHS Certificate of Compliance, [click here](#)

Please visit the [Contact Us](#) section for any non-product compliance questions.

Search Parts in this Series

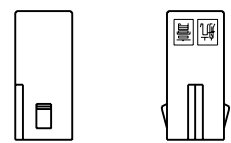
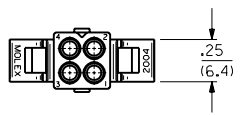
[2004Series](#)

Mates With

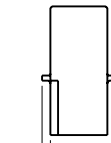
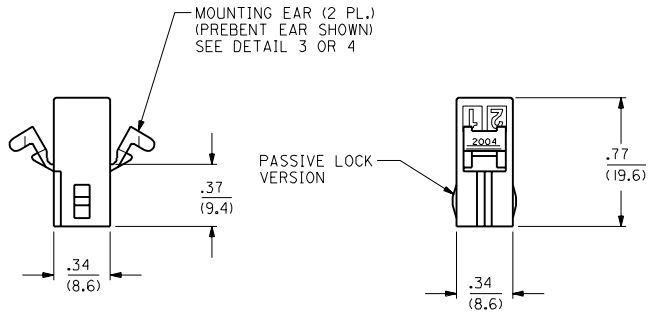
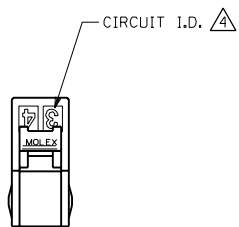
[03-06-2043](#) Panel Mount Plug, [03-06-2044](#) Free Hanging Plug

Use With

[1560](#) male crimp terminals, [1561](#) female crimp terminals, [4559](#) , [4529](#) , [2190](#) , [2189](#) , [1787](#) female crimp terminals, [1786](#) male crimp terminals, [1854](#) male crimp terminals, [1855](#) female crimp terminals, [1778](#) male PC tail terminals, [1779](#) female PC tail terminals

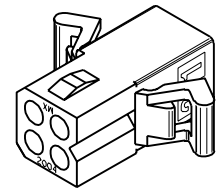
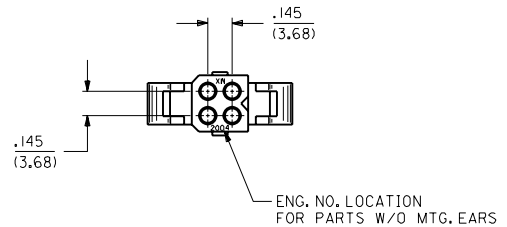


DETAIL 1
POSITIVE LOCK VERSION
ENG. NO. 2004-R5*



DETAIL 2
RECEPTACLE WITHOUT EARS
OR DETENTS, ENG. NO. 2004-R3*

ALLOWANCE OF .000/.060 (0.00/1.52) (2 PL.) FOR CUT OFF OF MOUNTING EARS



RECEPTACLE HOUSING

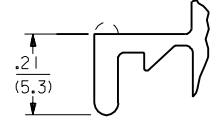
DIMENSIONS SHOWN METRIC INCH		▽ = 0 ▼ = 0		REVISE ONLY ON CAD SYSTEM	
UNLESS OTHERWISE SPECIFIED TOLERANCES: ANGULAR ± .0010		TITLE		PLUG AND RECEPTACLE HOUSINGS, 4 CIRCUIT .062/(1.57) DIA.	
INCH METRIC		PART NO.		DRAWING NO.	
3 PLACE ± .010	---	SEE CHART		SD-2004-*	
2 PLACE ± .014	± 0.25	FILE NAME		DIV.	
1 PLACE ---	± 0.36	H2004C4		SIZE	
DRAFT WHERE APPLICABLE MUST REMAIN WITHIN DIMENSIONS		SCALE		CP C	
DRW. BY: RS		SCALE: 4:1		THIS DRAWING CONTAINS INFORMATION THAT IS PROPRIETARY TO MOLEX INC. AND SHOULD NOT BE USED WITHOUT WRITTEN PERMISSION.	
APP'D. BY:		SCALE:			
LTR. REVISIONS		LTR. REVISIONS			
I SEE SHEET I					

PLUG		
PART NO.	ENG. NO.	
03-06-2043	2004-P	
03-06-7043	2004-PBK	
03-06-2044	2004-PI	
03-06-7044	2004-PIBK	
PRELIMINARY	2004-P2	
03-06-7045	2004-PIRD	OBSOLETE
03-06-7046	2004-PIBN	OBSOLETE
03-06-7047	2004-PIOR	OBSOLETE

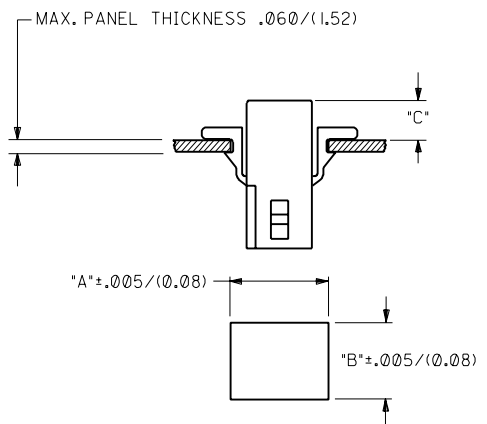
RECEPTACLE		
PART NO.	ENG. NO.	
03-06-1043	2004-R	
03-06-6043	2004-RBK	
03-06-1044	2004-RI	
03-06-6044	2004-RIBK	OBSOLETE
03-06-1046	2004-R3	OBSOLETE
03-06-1052	2004-R5	OBSOLETE
03-06-6052	2004-R5BK	OBSOLETE
PRELIMINARY	2004-R2	
03-06-6045	2004-RRD	OBSOLETE
03-06-6046	2004-RBN	OBSOLETE
03-06-6048	2004-ROR	OBSOLETE

LEGEND:

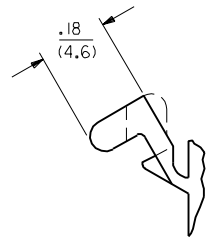
2004-***
 P = PLUG
 R = RECEPTACLE
 BLANK = WITH STANDARD EARS
 1 = WITHOUT EARS
 2 = WITH PREBENT EARS
 3 = W/O EARS, W/O DETENTS
 5 = W/O EARS, WITH POSITIVE LOCKS



NOTE:
 THIS DRAWING ENCOMPASSES ALL 2004 SERIES HOUSINGS EXCEPT 2004-R7.



- NOTES:**
- MATERIAL - NYLON TYPE 6/6, 94V-2
 - THIS PRODUCT COMPLIES WITH MOLEX PRODUCT SPEC 02-06.
 - HOUSINGS FOR USE WITH MOLEX .062/(1.57) DIA. SERIES TERMINALS.
 - CIRCUIT I.D. NUMBERS ON SIDE OF HOUSING APPEAR ON PARTS FROM TOOLS BUILT AFTER 8/26/91.
 - THIS DIMENSION .020/(0.51) LESS ON TOOLS BUILT PRIOR TO 8/26/91.



RECOMMENDED HOLE PATTERN

HOUSING	DIM. "A"	DIM. "B"	PREBENT EAR DIM. "C"	STD. EAR DIM. "C"
PLUG	.615 (15.62)	.465 (11.81)	.26 (6.6)	.26 (6.6)
RECEPTACLE	.506 (12.85)	.400 (10.16)	.24 (6.1)	.24 (6.1)

DETAIL 4
 PREBENT MOUNTING EARS
 (SCALE 4:1)

DIMENSIONS SHOWN (METRIC) INCH UNLESS OTHERWISE SPECIFIED TOLERANCES ANGULAR ± 10°		REVISE ONLY ON CAD SYSTEM	
INCH METRIC		TITLE	
3 PLACE ± .010	---	PLUG AND RECEPTACLE HOUSINGS, 4 CIRCUIT	
2 PLACE ± .014	± 0.25	.062/(1.57) DIA.	
1 PLACE ---	± 0.36	MOLEX INCORPORATED U.S.A.	
DRAFT WHERE APPLICABLE MUST REMAIN WITHIN DIMENSIONS		PART NO.	DRWG. NO.
DRAWN BY: JJS		FILE NAME: H2004C4	SD-2004-*
CHK'D BY: RW		SHEET NO. 3	DATE 8/28/91
APP'D BY: RS		THIS DRAWING CONTAINS INFORMATION THAT IS PROPRIETARY TO MOLEX INC. AND SHOULD NOT BE USED WITHOUT WRITTEN PERMISSION.	
SCALE 2:1		CP	C

LTR.	REVISIONS	LTR.	REVISIONS
K	SEE SHEET 1		
J2	SEE SHEET 1		
J1	SEE SHEET 1		
J	SEE SHEET 1		
I	SEE SHEET 1		

2004