

# DATA SHEET

**E18/4/10**

**Planar E cores and accessories**

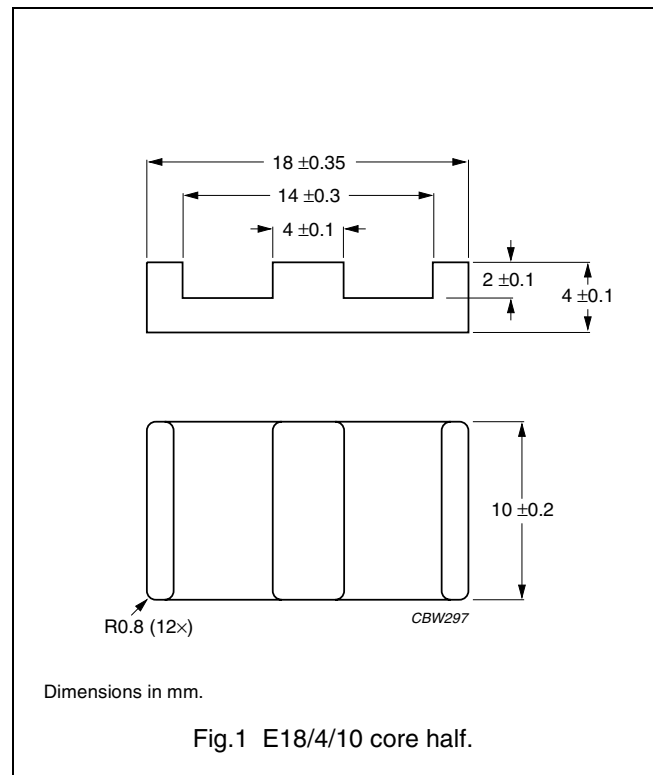
Supersedes data of September 2004

2008 Sep 01

**CORES**

**Effective core parameters of a set of E cores**

SYMBOL	PARAMETER	VALUE	UNIT
$\Sigma(l/A)$	core factor (C1)	0.616	mm <sup>-1</sup>
$V_e$	effective volume	960	mm <sup>3</sup>
$l_e$	effective length	24.3	mm
$A_e$	effective area	39.3	mm <sup>2</sup>
$A_{min}$	minimum area	39.3	mm <sup>2</sup>
m	mass of core half	≈ 2.4	g

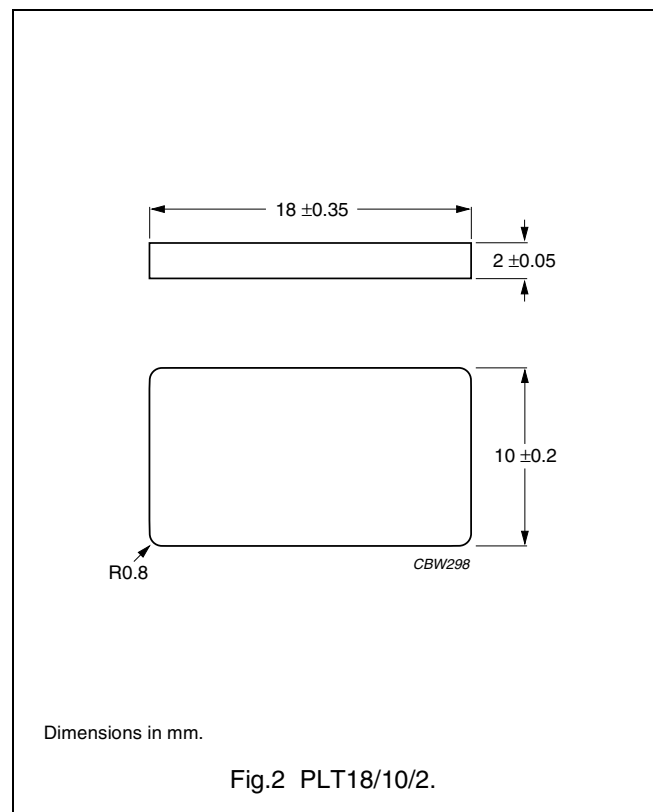


**Effective core parameters of an E/PLT combination**

SYMBOL	PARAMETER	VALUE	UNIT
$\Sigma(l/A)$	core factor (C1)	0.514	mm <sup>-1</sup>
$V_e$	effective volume	800	mm <sup>3</sup>
$l_e$	effective length	20.3	mm
$A_e$	effective area	39.5	mm <sup>2</sup>
$A_{min}$	minimum area	39.5	mm <sup>2</sup>
m	mass of plate	≈ 1.7	g

**Ordering information for plates**

GRADE	TYPE NUMBER
3C90	PLT18/10/2-3C90
3C92 <small>des</small>	PLT18/10/2-3C92
3C93 <small>des</small>	PLT18/10/2-3C93
3C94	PLT18/10/2-3C94
3C95 <small>des</small>	PLT18/10/2-3C95
3C96 <small>des</small>	PLT18/10/2-3C96
3F3	PLT18/10/2-3F3
3F35 <small>des</small>	PLT18/10/2-3F35
3F4 <small>des</small>	PLT18/10/2-3F4
3F45 <small>prot</small>	PLT18/10/2-3F45
3E6	PLT18/10/2-3E6



## Planar E cores and accessories

E18/4/10

**Core halves for use in combination with a non-gapped E core**

$A_L$  measured in combination with a non-gapped core half, clamping force for  $A_L$  measurements,  $20 \pm 10$  N, using a PCB coil containing 4 layers of 8 tracks each, total height 1.6 mm.

GRADE	$A_L$ (nH)	$\mu_e$	AIR GAP ( $\mu\text{m}$ )	TYPE NUMBER
3C90	100 $\pm 3\%$	$\approx 49$	$\approx 800$	E18/4/10-3C90-A100-E
	160 $\pm 3\%$	$\approx 78$	$\approx 420$	E18/4/10-3C90-A160-E
	250 $\pm 5\%$	$\approx 123$	$\approx 220$	E18/4/10-3C90-A250-E
	315 $\pm 8\%$	$\approx 154$	$\approx 170$	E18/4/10-3C90-A315-E
	3200 $\pm 25\%$	$\approx 1560$	$\approx 0$	E18/4/10-3C90
3C92 <b>des</b>	2330 $\pm 25\%$	$\approx 1140$	$\approx 0$	E18/4/10-3C92
3C93 <b>des</b>	2700 $\pm 25\%$	$\approx 1320$	$\approx 0$	E18/4/10-3C93
3C94	100 $\pm 3\%$	$\approx 49$	$\approx 800$	E18/4/10-3C94-A100-E
	160 $\pm 3\%$	$\approx 78$	$\approx 420$	E18/4/10-3C94-A160-E
	250 $\pm 5\%$	$\approx 123$	$\approx 220$	E18/4/10-3C94-A250-E
	315 $\pm 8\%$	$\approx 154$	$\approx 170$	E18/4/10-3C94-A315-E
	3200 $\pm 25\%$	$\approx 1560$	$\approx 0$	E18/4/10-3C94
3C95 <b>des</b>	3800 $\pm 25\%$	$\approx 1870$	$\approx 0$	E18/4/10-3C95
3C96 <b>des</b>	2900 $\pm 25\%$	$\approx 1410$	$\approx 0$	E18/4/10-3C96
3F3	100 $\pm 3\%$	$\approx 49$	$\approx 800$	E18/4/10-3F3-A100-E
	160 $\pm 3\%$	$\approx 78$	$\approx 420$	E18/4/10-3F3-A160-E
	250 $\pm 5\%$	$\approx 123$	$\approx 220$	E18/4/10-3F3-A250-E
	315 $\pm 8\%$	$\approx 154$	$\approx 170$	E18/4/10-3F3-A315-E
	2700 $\pm 25\%$	$\approx 1320$	$\approx 0$	E18/4/10-3F3
3F35 <b>des</b>	2200 $\pm 25\%$	$\approx 1070$	$\approx 0$	E18/4/10-3F35
3F4 <b>des</b>	100 $\pm 3\%$	$\approx 49$	$\approx 800$	E18/4/10-3F4-A100-E
	160 $\pm 3\%$	$\approx 78$	$\approx 420$	E18/4/10-3F4-A160-E
	250 $\pm 5\%$	$\approx 123$	$\approx 220$	E18/4/10-3F4-A250-E
	315 $\pm 8\%$	$\approx 154$	$\approx 170$	E18/4/10-3F4-A315-E
	1550 $\pm 25\%$	$\approx 760$	$\approx 0$	E18/4/10-3F4
3F45 <b>prot</b>	1550 $\pm 25\%$	$\approx 760$	$\approx 0$	E18/4/10-3F45
3E6	13500 $+40/-30\%$	$\approx 6600$	$\approx 0$	E18/4/10-3E6

## Planar E cores and accessories

E18/4/10

**Core halves for use in combination with a plate (PLT)**

$A_L$  measured in combination with a plate (PLT), clamping force for  $A_L$  measurements,  $20 \pm 10$  N, using a PCB coil containing 4 layers of 8 tracks each, total height 1.6 mm.

GRADE	$A_L^0$ (nH)	$\mu_e$	AIR GAP ( $\mu\text{m}$ )	TYPE NUMBER
3C90	100 $\pm 3\%$	$\approx 41$	$\approx 870$	E18/4/10-3C90-A100-P
	160 $\pm 3\%$	$\approx 65$	$\approx 470$	E18/4/10-3C90-A160-P
	250 $\pm 5\%$	$\approx 102$	$\approx 240$	E18/4/10-3C90-A250-P
	315 $\pm 8\%$	$\approx 129$	$\approx 170$	E18/4/10-3C90-A315-P
	3680 $\pm 25\%$	$\approx 1500$	$\approx 0$	E18/4/10-3C90
3C92 <b>des</b>	2690 $\pm 25\%$	$\approx 1100$	$\approx 0$	E18/4/10-3C92
3C93 <b>des</b>	3100 $\pm 25\%$	$\approx 1270$	$\approx 0$	E18/4/10-3C93
3C94	100 $\pm 3\%$	$\approx 41$	$\approx 870$	E18/4/10-3C94-A100-P
	160 $\pm 3\%$	$\approx 65$	$\approx 470$	E18/4/10-3C94-A160-P
	250 $\pm 5\%$	$\approx 102$	$\approx 240$	E18/4/10-3C94-A250-P
	315 $\pm 8\%$	$\approx 129$	$\approx 170$	E18/4/10-C94-A315-P
	3680 $\pm 25\%$	$\approx 1500$	$\approx 0$	E18/4/10-3C94
3C95 <b>des</b>	4340 $\pm 25\%$	$\approx 1780$	$\approx 0$	E18/4/10-3C95
3C96 <b>des</b>	3250 $\pm 25\%$	$\approx 1320$	$\approx 0$	E18/4/10-3C96
3F3	100 $\pm 3\%$	$\approx 41$	$\approx 870$	E18/4/10-3F3-A100-P
	160 $\pm 3\%$	$\approx 65$	$\approx 470$	E18/4/10-3F3-A160-P
	250 $\pm 5\%$	$\approx 102$	$\approx 240$	E18/4/10-3F3-A250-P
	315 $\pm 8\%$	$\approx 129$	$\approx 170$	E18/4/10-3F3-A315-P
	3100 $\pm 25\%$	$\approx 1270$	$\approx 0$	E18/4/10-3F3
3F35 <b>des</b>	2500 $\pm 25\%$	$\approx 1020$	$\approx 0$	E18/4/10-3F35
3F4 <b>des</b>	100 $\pm 3\%$	$\approx 41$	$\approx 870$	E18/4/10-3F4-A100-P
	160 $\pm 3\%$	$\approx 65$	$\approx 470$	E18/4/10-3F4-A160-P
	250 $\pm 5\%$	$\approx 102$	$\approx 240$	E18/4/10-3F4-A250-P
	315 $\pm 8\%$	$\approx 129$	$\approx 170$	E18/4/10-3F4-A315-P
	1800 $\pm 25\%$	$\approx 740$	$\approx 0$	E18/4/10-3F4
3F45 <b>prot</b>	1800 $\pm 25\%$	$\approx 740$	$\approx 0$	E18/4/10-3F45
3E6	15500 +40/-30%	$\approx 6400$	$\approx 0$	E18/4/10-3E6

## Planar E cores and accessories

E18/4/10

## Properties of core sets under power conditions

GRADE	B (mT) at	CORE LOSS (W) at				
	H = 250 A/m; f = 10 kHz; T = 100 °C	f = 100 kHz; $\hat{B}$ = 100 mT; T = 100 °C	f = 100 kHz; $\hat{B}$ = 200 mT; T = 25 °C	f = 100 kHz; $\hat{B}$ = 200 mT; T = 100 °C	f = 400 kHz; $\hat{B}$ = 50 mT; T = 100 °C	f = 500 kHz; $\hat{B}$ = 50 mT; T = 100 °C
E+E18-3C90	≥320	≤ 0.105	–	–	–	–
E+PLT18-3C90	≥320	≤ 0.095	–	–	–	–
E+E18-3C92	≥370	≤ 0.085	–	≤ 0.6	–	–
E+PLT18-3C92	≥370	≤ 0.075	–	≤ 0.5	–	–
E+E18-3C93	≥320	≤ 0.085 <sup>(1)</sup>	–	≤ 0.6 <sup>(1)</sup>	–	–
E+PLT18-3C93	≥320	≤ 0.075 <sup>(1)</sup>	–	≤ 0.5 <sup>(1)</sup>	–	–
E+E18-3C94	≥320	≤ 0.085	–	≤ 0.6	–	–
E+PLT18-3C94	≥320	≤ 0.075	–	≤ 0.5	–	–
E+E18-3C95	≥320	–	≤ 0.53	≤ 0.5	–	–
E+PLT18-3C95	≥320	–	≤ 0.44	≤ 0.42	–	–
E+E18-3C96	≥320	≤ 0.065	–	≤ 0.45	≤ 0.18	≤ 0.35
E+PLT18-3C96	≥320	≤ 0.06	–	≤ 0.4	≤ 0.15	≤ 0.3
E+E18-3F3	≥300	≤ 0.11	–	–	≤ 0.19	–
E+PLT18-3F3	≥300	≤ 0.09	–	–	≤ 0.16	–
E+E18-3F35	≥300	–	–	–	≤ 0.09	≤ 0.13
E+PLT18-3F35	≥300	–	–	–	≤ 0.08	≤ 0.12

1. Measured at 140 °C.

## Properties of core sets under power conditions (continued)

GRADE	B (mT) at	CORE LOSS (W) at			
	H = 250 A/m; f = 10 kHz; T = 100 °C	f = 500 kHz; $\hat{B}$ = 100 mT; T = 100 °C	f = 1 MHz; $\hat{B}$ = 30 mT; T = 100 °C	f = 1 MHz; $\hat{B}$ = 50 mT; T = 100 °C	f = 3 MHz; $\hat{B}$ = 10 mT; T = 100 °C
E+E18-3F35	≥300	≤ 1.0	–	–	–
E+PLT18-3F35	≥300	≤ 0.9	–	–	–
E+E18-3F4	≥250	–	≤ 0.3	–	≤ 0.45
E+PLT18-3F4	≥250	–	≤ 0.24	–	≤ 0.39
E+E18-3F45	≥250	–	≤ 0.22	≤ 0.82	≤ 0.38
E+PLT18-3F45	≥250	–	≤ 0.18	≤ 0.67	≤ 0.32

**MOUNTING INFORMATION**

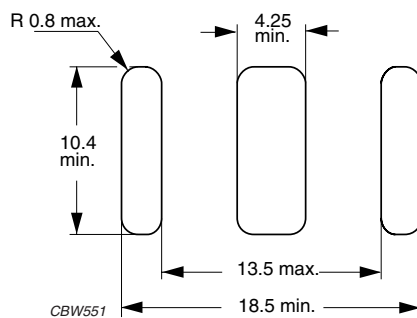
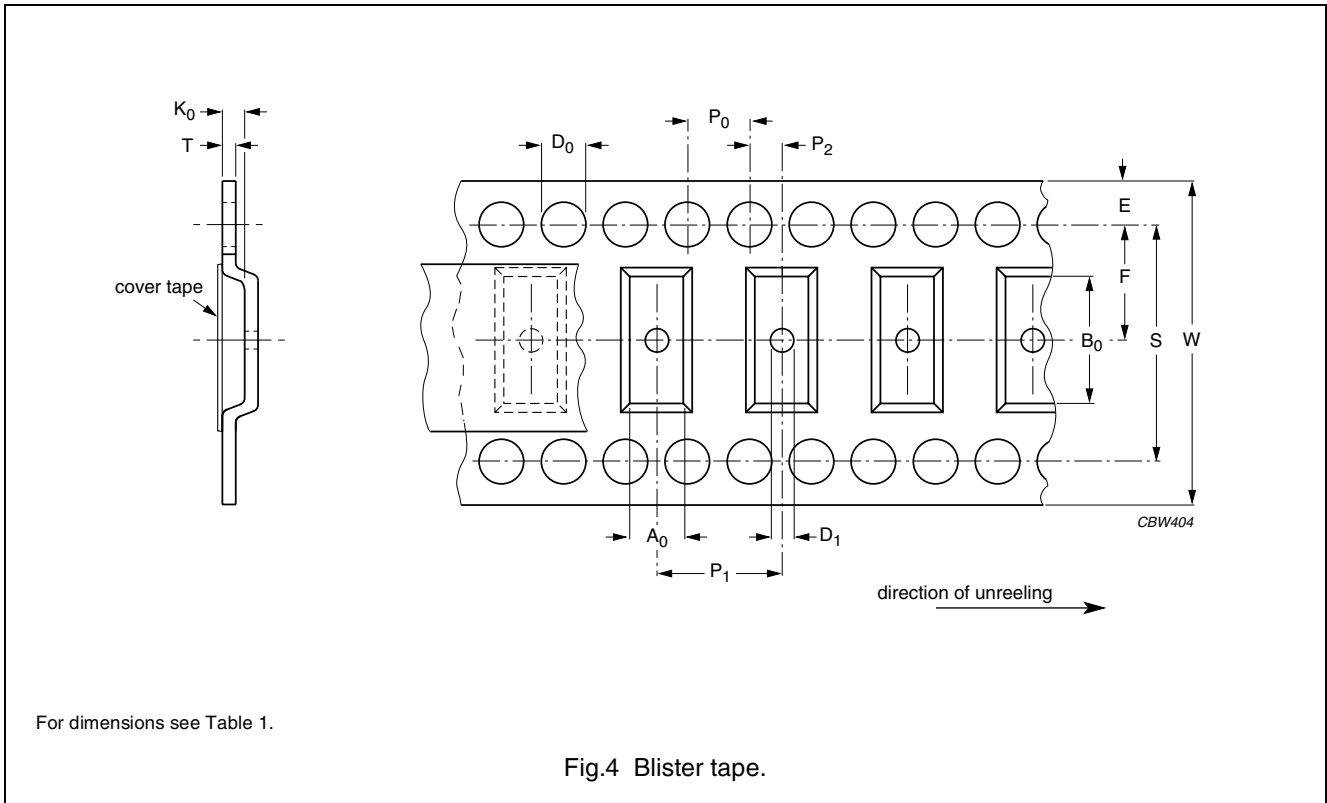


Fig.3 Recommended PCB cut-out for glued planar E18/4/10 cores.

**BLISTER TAPE AND REEL DIMENSIONS** prot



**Table 1** Physical dimensions of blister tape; see Fig.4

SIZE	DIMENSIONS (mm)
$A_0$	$10.5 \pm 0.2$
$B_0$	$18.7 \pm 0.2$
$K_0$	$4.5 \pm 0.2$
$T$	$0.3 \pm 0.05$
$W$	$32.0 \pm 0.3$
$E$	$1.75 \pm 0.1$
$F$	$14.2 \pm 0.1$
$D_0$	$1.5 \pm 0.1$
$D_1$	$\geq 2.0$
$P_0$	$4.0 \pm 0.1$
$P_1$	$16.0 \pm 0.1$
$P_2$	$2.0 \pm 0.1$
$S$	$28.4 \pm 0.1$

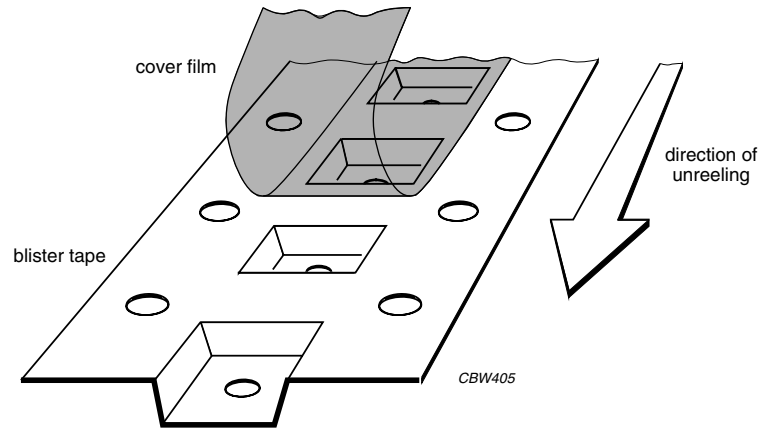
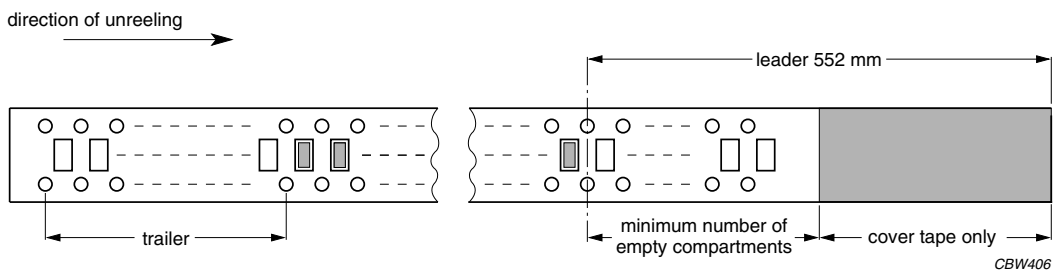


Fig.5 Construction of blister tape.



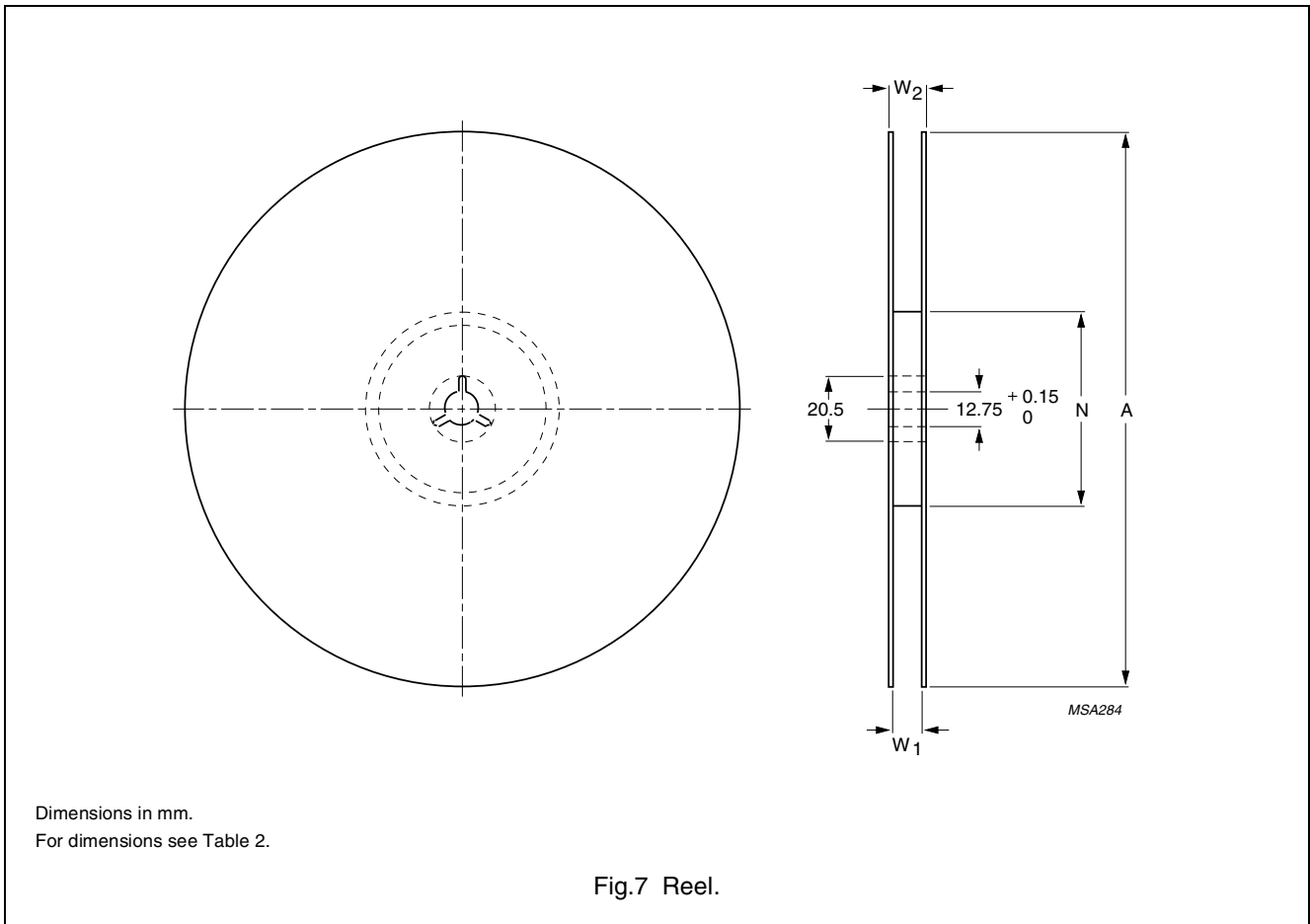
Leader: length of leader tape is 552 mm minimum covered with cover tape.

Trailer: 160 mm minimum (secured with tape).

Storage temperature range for tape: -25 to +45 °C.

Fig.6 Leader/trailer tape.





**Table 2** Reel dimensions; see Fig.7

SIZE	DIMENSIONS (mm)			
	A	N	W <sub>1</sub>	W <sub>2</sub>
32	330	100 ±5	32.4	≤36.4

## Planar E cores and accessories

E18/4/10




**DATA SHEET STATUS DEFINITIONS**

DATA SHEET STATUS	PRODUCT STATUS	DEFINITIONS
Preliminary specification	Development	This data sheet contains preliminary data. Ferroxcube reserves the right to make changes at any time without notice in order to improve design and supply the best possible product.
Product specification	Production	This data sheet contains final specifications. Ferroxcube reserves the right to make changes at any time without notice in order to improve design and supply the best possible product.

**DISCLAIMER**

**Life support applications** — These products are not designed for use in life support appliances, devices, or systems where malfunction of these products can reasonably be expected to result in personal injury. Ferroxcube customers using or selling these products for use in such applications do so at their own risk and agree to fully indemnify Ferroxcube for any damages resulting from such application.

**PRODUCT STATUS DEFINITIONS**

STATUS	INDICATION	DEFINITION
<b>Prototype</b>		These are products that have been made as development samples for the purposes of technical evaluation only. The data for these types is provisional and is subject to change.
<b>Design-in</b>		These products are recommended for new designs.
<b>Preferred</b>		These products are recommended for use in current designs and are available via our sales channels.
<b>Support</b>		These products are <b>not</b> recommended for new designs and may not be available through all of our sales channels. Customers are advised to check for availability.