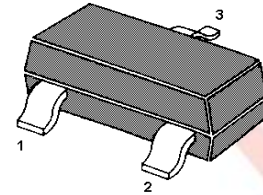


MMBT8050C/D

Features

- ◆ For Switching and Amplifier Applications.
- ◆ As Complementary Type of the PNP Transistor MMBT8550C/D is Recommended.

SOT-23
(TO-236)



Absolute Maximum Ratings ($T_A=25\text{ }^\circ\text{C}$, unless otherwise noted) 1 Base 2. Emitter 3. Collector

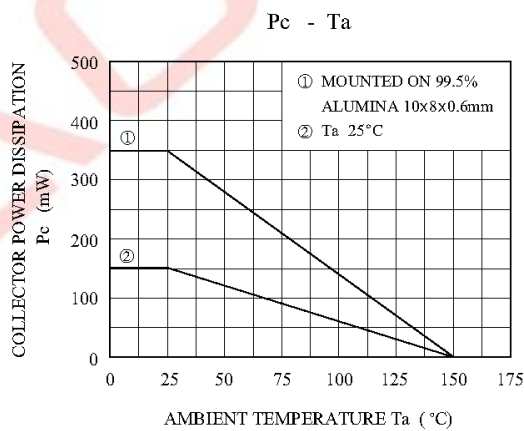
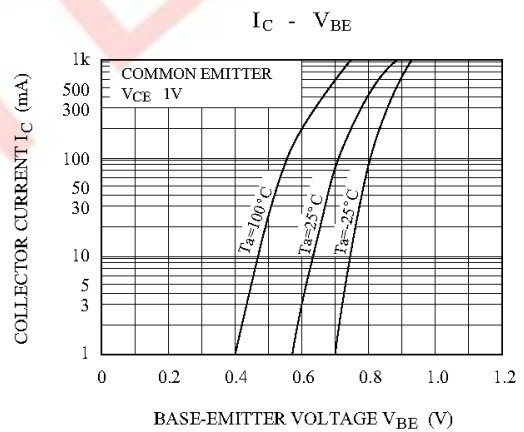
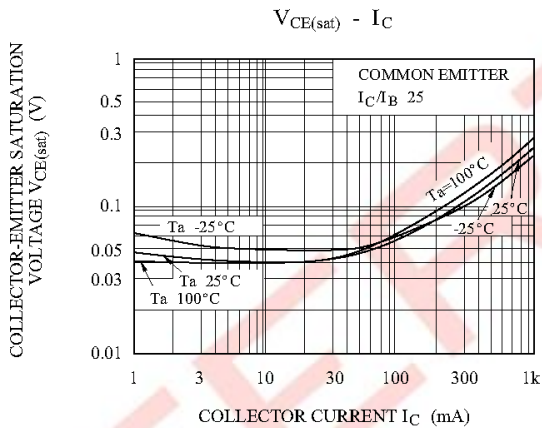
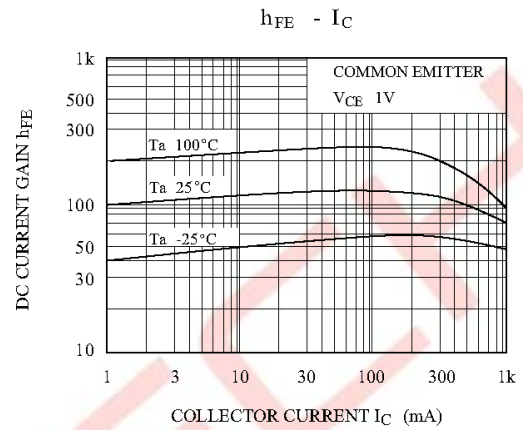
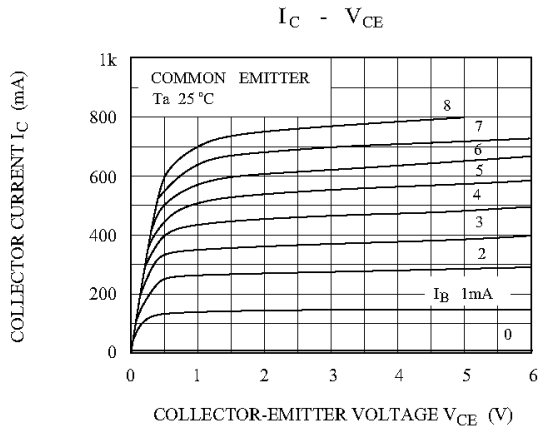
Parameter	Symbol	Value	Unit
Collector Base Voltage	V_{CBO}	40	V
Collector Emitter Voltage	V_{CEO}	25	V
Emitter Base Voltage	V_{EBO}	6	V
Collector Current	I_C	600	mA
Power Dissipation	P_D	350	mW
Junction Temperature	T_J	150	$^\circ\text{C}$
Storage Temperature Range	T_{STG}	-55 to 150	$^\circ\text{C}$

Electrical Characteristics ($T_A=25\text{ }^\circ\text{C}$, unless otherwise noted)

Parameter	Symbol	Min.	Typ.	Max.	Unit
DC Current Gain at $V_{CE} = 1\text{ V}$, $I_C = 100\text{ mA}$ Current Gain Group	C D H_{FE}	100	-	250	
		160	-	400	
		40	-	-	
Collector Base Cutoff Current at $V_{CB} = 35\text{ V}$	I_{CBO}	-	-	100	nA
Collector Base Breakdown Voltage at $I_C = 10\text{ }\mu\text{A}$	$V_{(BR)CBO}$	40	-	-	V
Collector Emitter Breakdown Voltage at $I_C = 2\text{ mA}$	$V_{(BR)CEO}$	25	-	-	V
Emitter Base Breakdown Voltage at $I_E = 100\text{ }\mu\text{A}$	$V_{(BR)EBO}$	6	-	-	V
Collector Emitter Saturation Voltage at $I_C = 500\text{ mA}$, $I_B = 50\text{ mA}$	$V_{CE(sat)}$	-	-	0.5	V
Base Emitter Saturation Voltage at $I_C = 500\text{ mA}$, $I_B = 50\text{ mA}$	$V_{BE(sat)}$	-	-	1.2	V
Transition Frequency at $V_{CE} = 5\text{ V}$, $I_C = 10\text{ mA}$	F_T	-	100	-	MHz

MMBT8050C/D

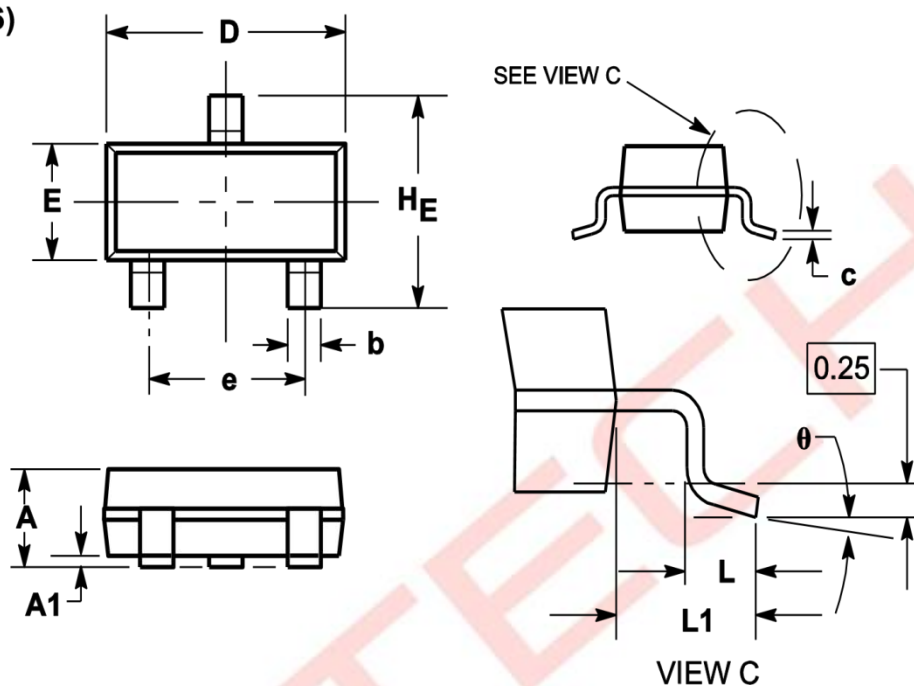
Typical Characteristics Curves



MMBT8050C/D

Package Outline

SOT-23 (TO-236)



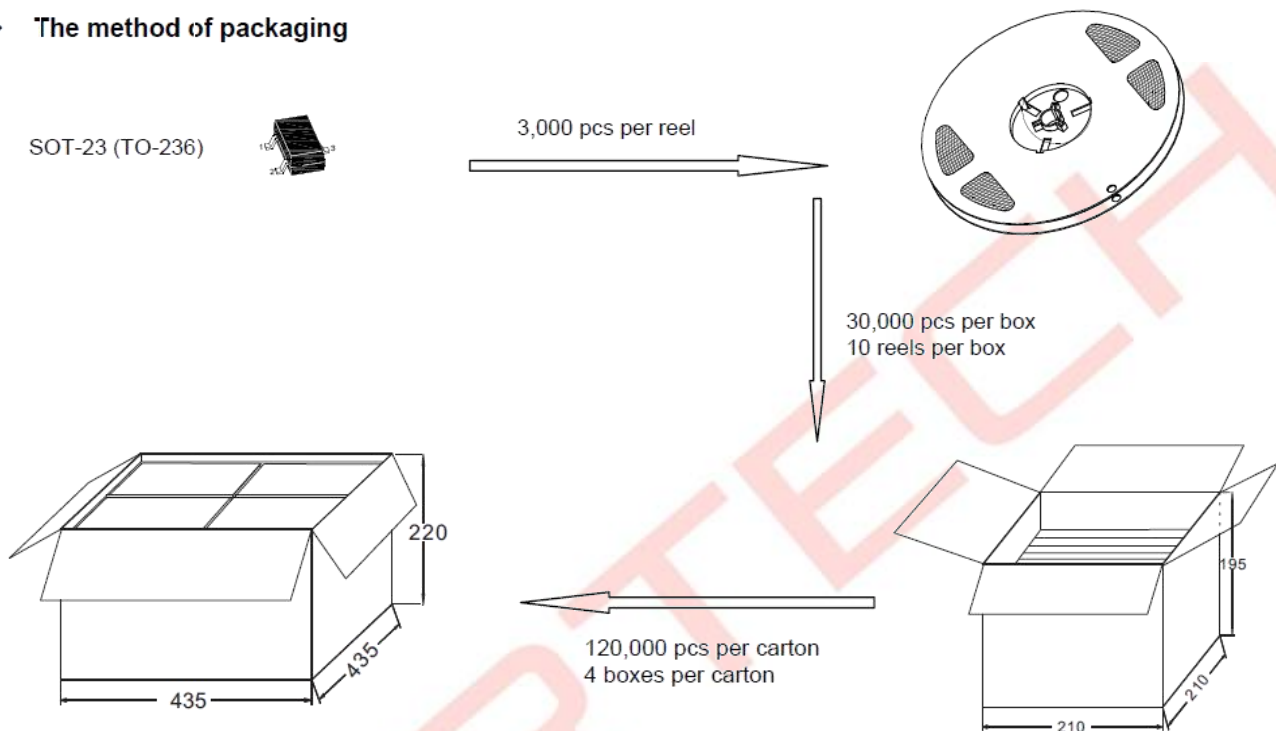
Symbol	Dimensions in millimeter		
	Min.	Typ.	Max.
A	0.900	1.025	1.150
A1	0.000	0.050	0.100
b	0.300	0.400	0.500
c	0.080	0.115	0.150
D	2.800	2.900	3.000
E	1.200	1.300	1.400
HE	2.250	2.400	2.550
e	1.800	1.900	2.000
L1	0.550REF		
L	0.300		0.500
θ	0°		8°

Device	Package	Reel Dimension (inch)	Shipping
MMBT8050C/D	SOT-23	7	3,000

MMBT8050C/D

Package Specifications

◆ The method of packaging



◆ Embossed tape and reel data

