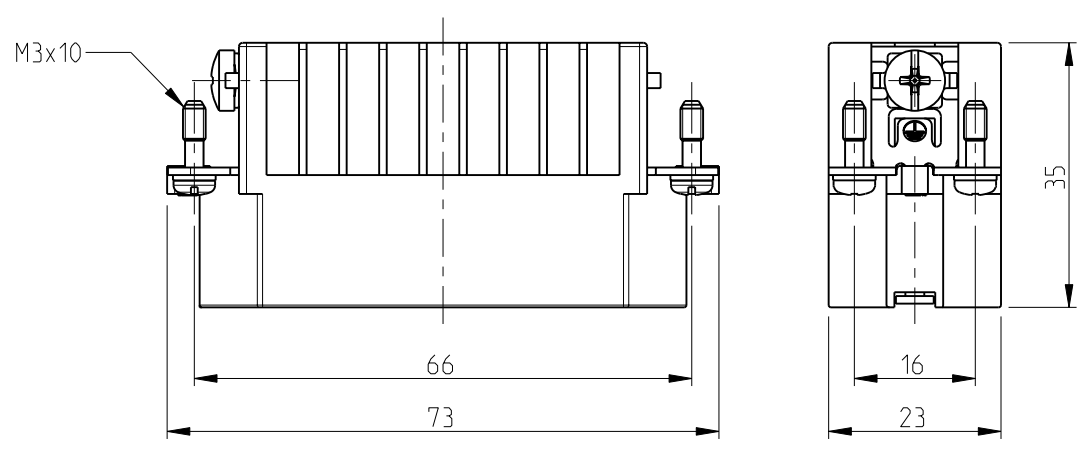


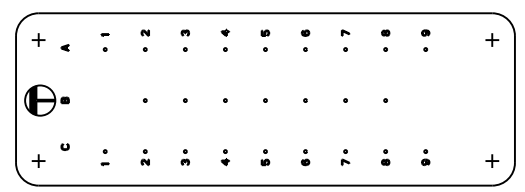
THIS DRAWING IS UNPUBLISHED. RELEASED FOR PUBLICATION .1997  
 © COPYRIGHT 1997 BY TYCO ELECTRONICS CORPORATION. ALL RIGHTS RESERVED.

LOC A1	DIST	REVISIONS					
		P	LTR	DESCRIPTION	DATE	DWN	APVD
			A6	Released as per ECR-08-019210	31.Jul.2008	SP	TS

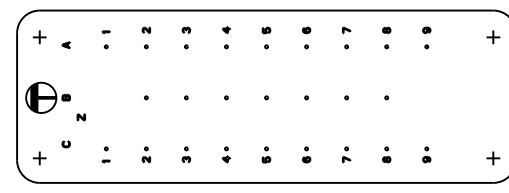
PN 2-3 as shown



CONTACT ARRANGEMENT FOR PN 2-3 & 2-8  
 VIEW FROM TERMINATION SIDE



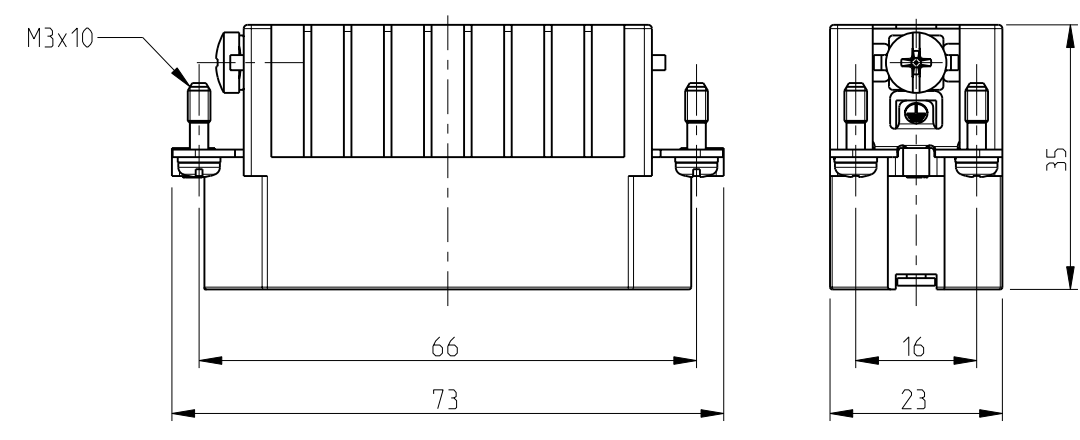
CONTACT ARRANGEMENT FOR PN 0-1  
 VIEW FROM TERMINATION SIDE



NOTES

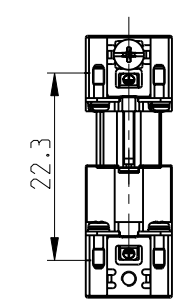
- 1 Material: Insert , PC UL-File Nr : E101788(R)
- 2 Finish: Zinc plated contact: Ag, Au
- 3 Packaging quantity 5 pieces in a box.

PN 0-1 as shown

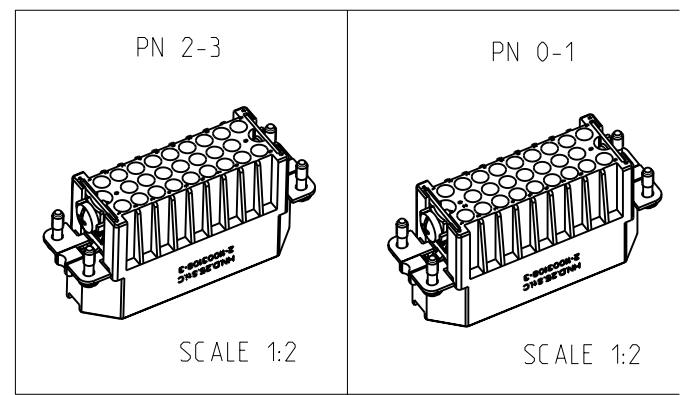


ASSEMBLING INSTRUCTION

Max. 24mm was away for safe contacting

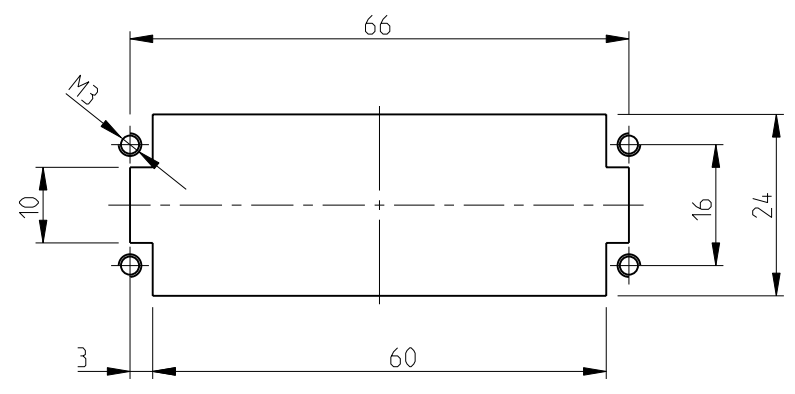


SCALE 1:2



Panel cutout for contact insert

When used without housing



1	1	1	Male Insert HN.D25	Ryton	Dark Brown	2	
			Male Insert HN.D25	1	Dark Grey	1	
0-1	2-8	2-3	DESCRIPTION	MATERIAL	COLOR	ITEM NO	REMARKS
ORDERING TEXT							
HN.D25.Sti.C B1-25							
HN.D-RY.25.Sti.C B1-25							
HN.D25.Sti.C B1-25/Z							

DIMENSIONS: mm		TOLERANCES UNLESS OTHERWISE SPECIFIED: n.ISO 8015: n.ISO 2768-mS-E: n.DIN 16901-120	
0 PLC	±	1 PLC	±
2 PLC	±	3 PLC	±
4 PLC	±	ANGLES	±
MATERIAL	1	FINISH	2

DWN Schneider	03.11.1998	 Tyco Electronics.AMP.GmbH D-53819.Neunkirchen.Germany
CHK Schweiger	03.11.1998	
APVD -	-	NAME Male insert HN.D.25.Sti.C
PRODUCT SPEC -	-	SIZE A3
APPLICATION SPEC -	-	CAGE CODE 00779
WEIGHT 57 g	-	DRAWING NO C-1103108
CUSTOMER DRAWING		RESTRICTED TO
SCALE 1:1		SHEET 1 OF 1
REV A6		