

8Z101RS
(ON DRAWING) 台票里図

版数 REV.	年月日 DATE	DCN NO.	変更内容 DESCRIPTION	製図 DR.	担当 CHK.	査閲 APPD.	承認 APPD.
2	10.Feb.2006	059307	CORRECTION OF ERROR IN WRITING	E.MURANO	Y.YAHIRO		K.H. Hoshino

DESIGNATION

MM50-200B*-E1RE

SERIES PREFIX
シリーズ名

NO. OF CONTACTS
芯数

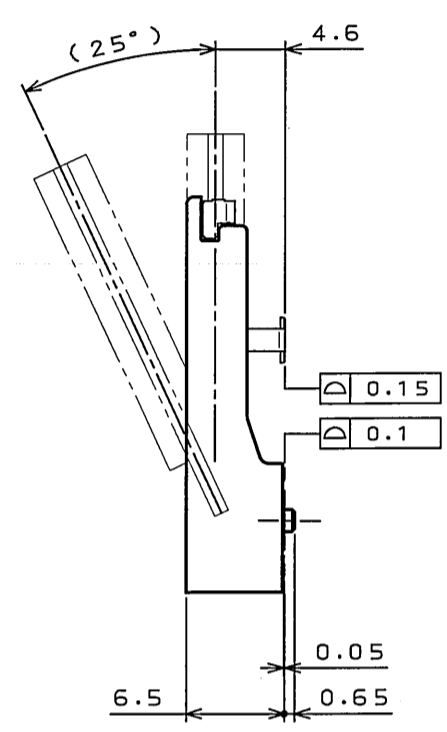
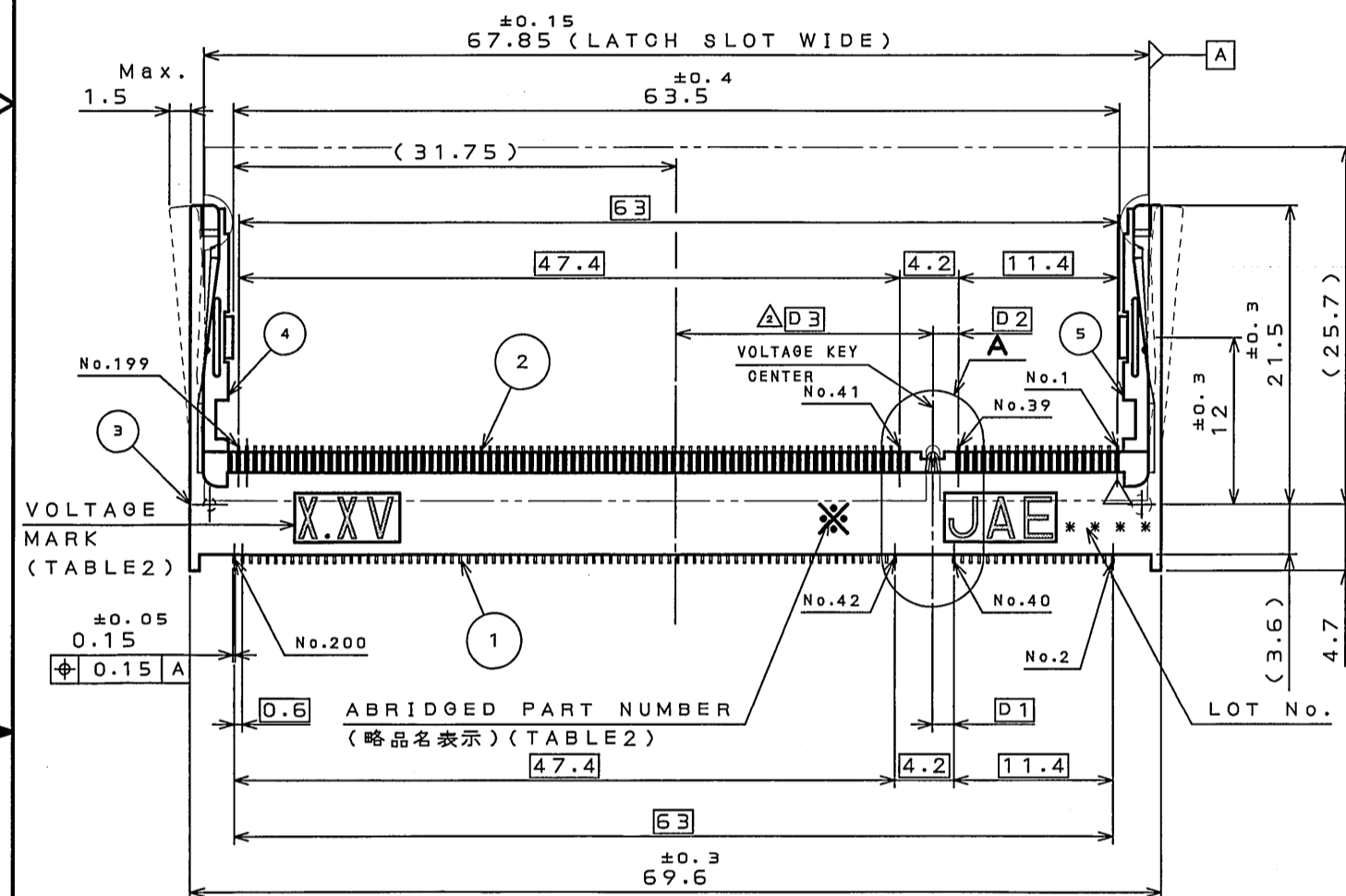
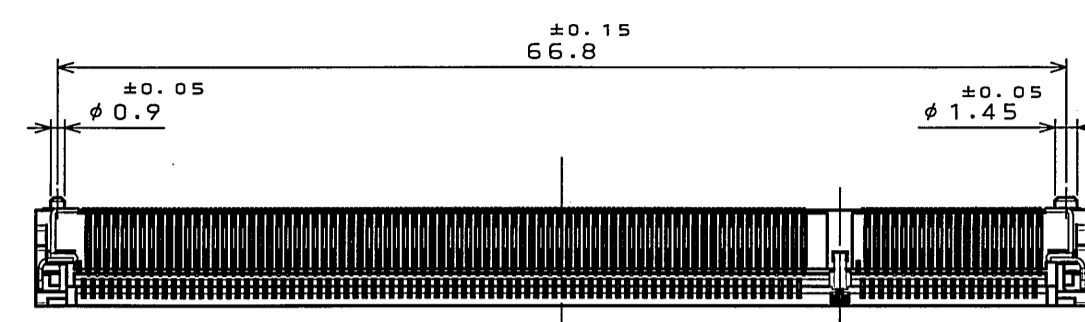
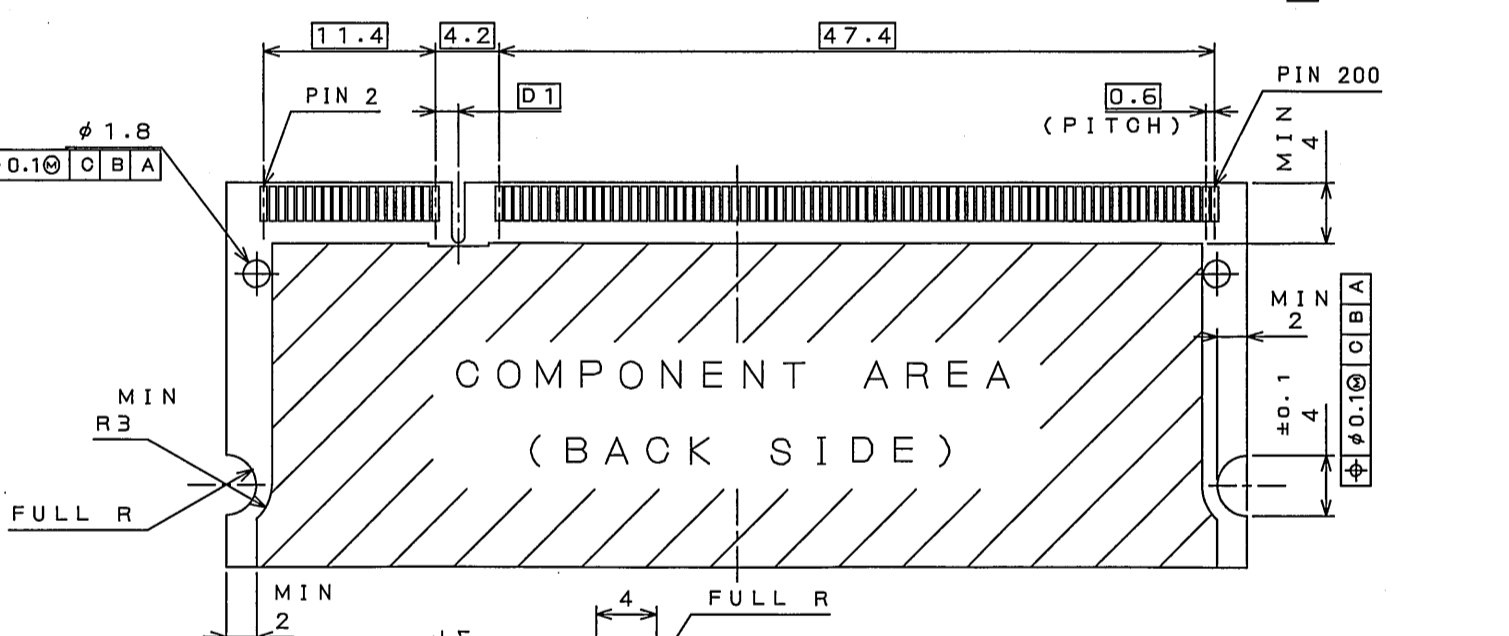
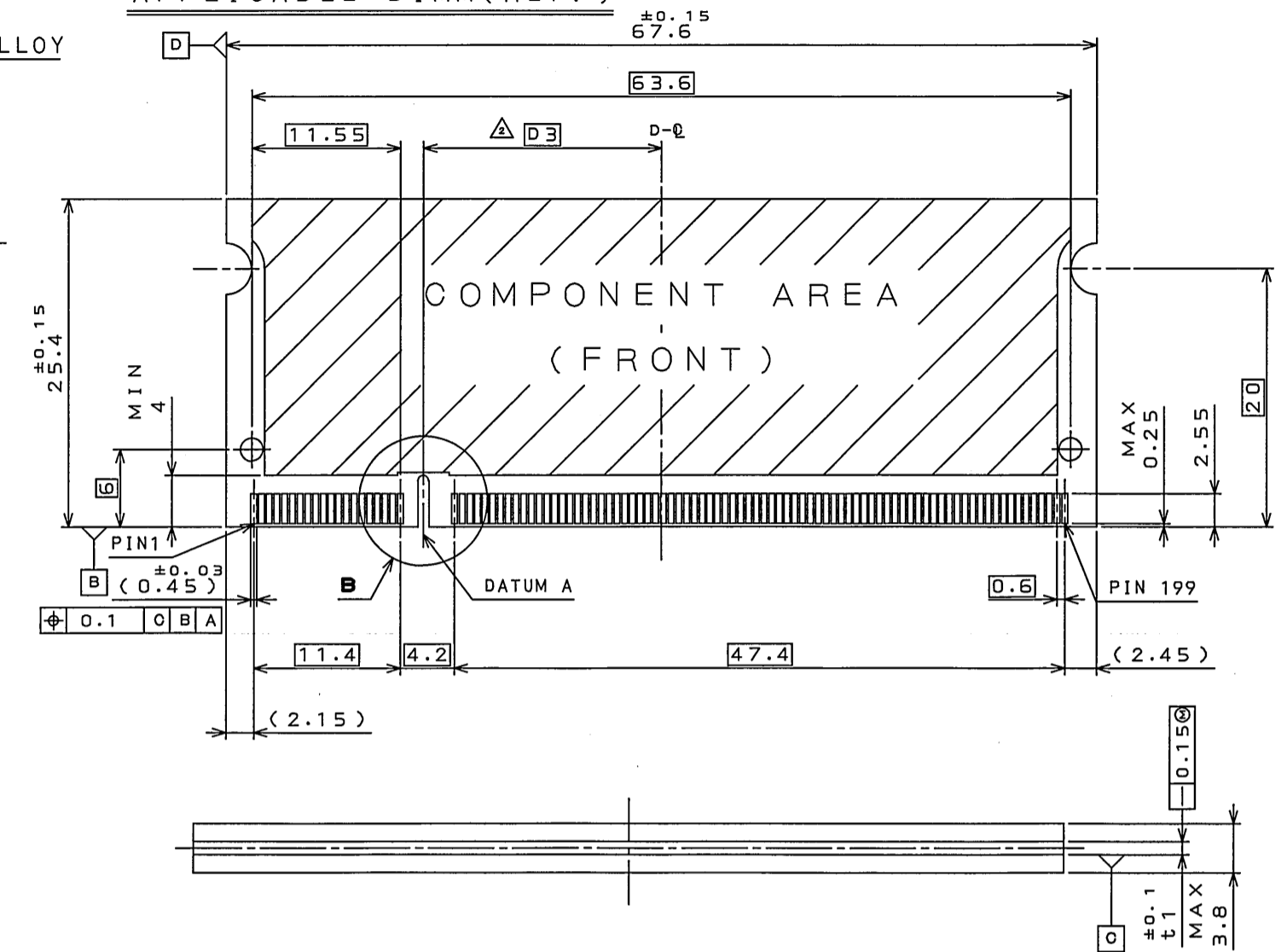
SOCKET TYPE
ソケットタイプ
B: LATCH TYPE SMT

CONTACT FINISH
接点仕上げ
1: Au(0.1μm MIN) OVER NI
R: REVERSE
NONE: STANDARD

MODIFY CODE
モディファイコード
E: 6.5mm HEIGHT

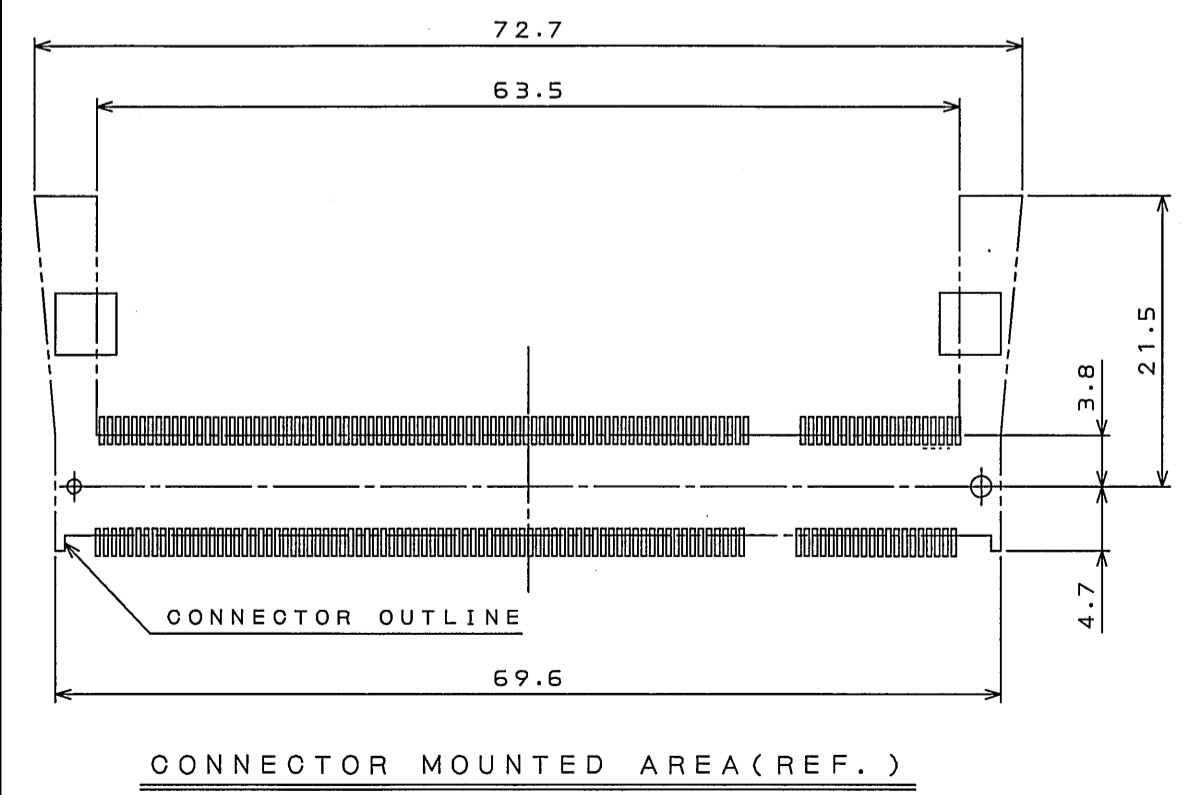
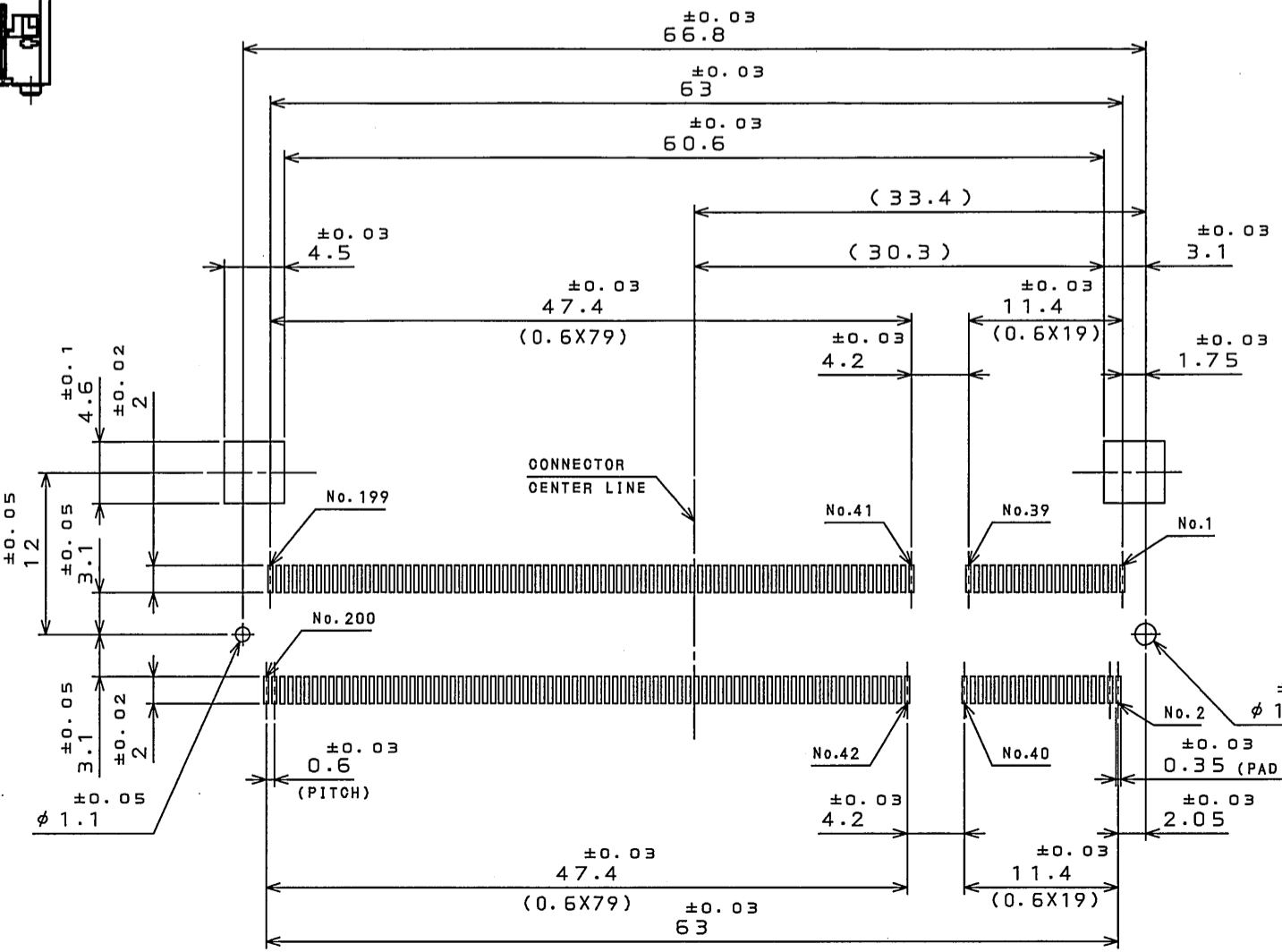
KEYING TYPE(Detail A) 2: TYPE B(1.8V) キイタイプ
1: TYPE A(2.5V)

APPLICABLE DIMM(REF.)



PARTS NAME	VOLTAGE MARK	ABRIDGED PART NUMBER
MM50-200B1-E1RE	2.5V	E1RE
MM50-200B2-E1RE	1.8V	2-E1RE

APPLICABLE P.C.B. DIMENSION(REF.)
適合基板寸法(参考)



POWER SPPLY	D1	D2	D3
2.5V(TYPE A)	1.5	1.8	18.45
1.8V(TYPE B)	2.4	2.7	17.55

6 KEY	1	STAINLESS		
5 HOLD DOWN 2	1	PHOSPHOR BRONZE	TIN PLATING	
4 HOLD DOWN 1	1	PHOSPHOR BRONZE	TIN PLATING	
3 INSULATOR	1	GLASS FILLED LOP		UL94 V-0 COLOR WHITE
2 BOTTOM SIDE CONTACT	100	PHOSPHOR BRONZE	CONTACT AREA: Au(0.1μm MIN) OVER NI SOLDERING AREA: GOLD FLASH OVER NI	
1 TOP SIDE CONTACT	100	PHOSPHOR BRONZE	CONTACT AREA: Au(0.1μm MIN) OVER NI SOLDERING AREA: GOLD FLASH OVER NI	

符号 NO.	名 DESCRIPTION	個数 QTY.	材 MATERIAL	仕上 FINISH	備考 REMARKS
6	KEY	1	STAINLESS		
5	HOLD DOWN 2	1	PHOSPHOR BRONZE	TIN PLATING	
4	HOLD DOWN 1	1	PHOSPHOR BRONZE	TIN PLATING	
3	INSULATOR	1	GLASS FILLED LOP		UL94 V-0 COLOR WHITE
2	BOTTOM SIDE CONTACT	100	PHOSPHOR BRONZE	CONTACT AREA: Au(0.1μm MIN) OVER NI SOLDERING AREA: GOLD FLASH OVER NI	
1	TOP SIDE CONTACT	100	PHOSPHOR BRONZE	CONTACT AREA: Au(0.1μm MIN) OVER NI SOLDERING AREA: GOLD FLASH OVER NI	

仕様書(SPECIFICATION)	第1版(ORIGINAL DATE)	尺度(SCALE)	シリーズ(SERIES)	製図 DR.	名称(TITLE)	製図 DR.	担当 CHK.	承認 APPD.	承認 APPD.	数量(MASS)
JACS-1655-01	20.May.2004	2:1	MM50		MM50 -200B*-E1RE		R.KATOU	Y.YAHIRO	S.KASHIWA01	

一般公差(GENERAL TOLERANCE)	寸法(DIMENSION)	角度(ANGLES)
.±0.8	° ±	° ±
.X ±0.4	X° ±	X° ±
.XX ±0.1		
.XXX ±		

DOF-0-213F(05.08)

LEAD FREE この製品は鉛フリーです

JAE CONNECTOR DIV. PROPRIETARY.
COPYRIGHT (C) 2004. JAPAN AVIATION ELECTRONICS INDUSTRY, LTD.

SIZE A2

版数 (REV.) 2