

Features

- Carbon element
- Switch option
- Wide assortment of resistance tapers
- RoHS compliant*

Applications

- Audio/TV sets
- Car radio
- Amplifiers/mixers/drum machines/synthesizers
- PCs/monitors
- Appliances

PDA17 Series - 17 mm Rotary Potentiometer

Electrical Characteristics

TaperLinear, audio
 Standard Resistance Range1 K ohms to 1 M ohms
 Standard Resistance Tolerance±20 %
 Residual Resistance1 % max.
 Switch Rating1 A @ 12 VAC

Environmental Characteristics

Operating Temperature-10 °C to +50 °C
 Power Rating
 Linear0.1 watt
 Audio0.05 watt
 Maximum Operating Voltage
 Linear200 V
 Audio150 V
 Sliding Noise47 mV max.

Mechanical Characteristics

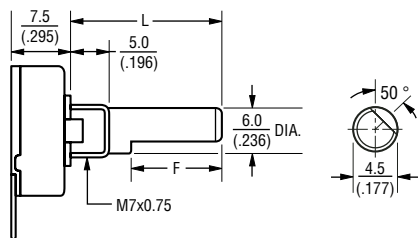
Mechanical Angle260 ° ±10 °
 Rotational Torque50 to 350 g-cm
 Stop Strength.....3 kg-cm min.
 Rotational Life15,000 cycles
 Soldering Condition
260 °C max. within 3 seconds
 HardwareOne flat washer and mounting nut supplied per potentiometer with bushing
 Switch Torque150 to 450 gf-cm
 Switch Action Angle.....60 ° max.

PDA17 Series Dimensions

K-Shaft (18 Toothed Serration Type)

L	15 (.591)	20 (.787)	25 (.984)	30 (1.181)
B	6 (.236)	9 (.354)	12 (.472)	12 (.472)

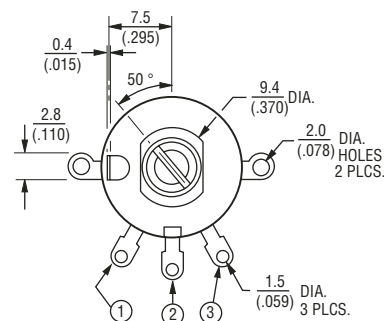
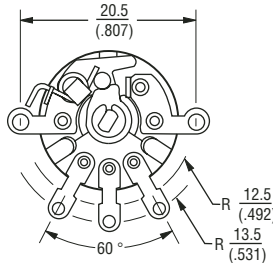
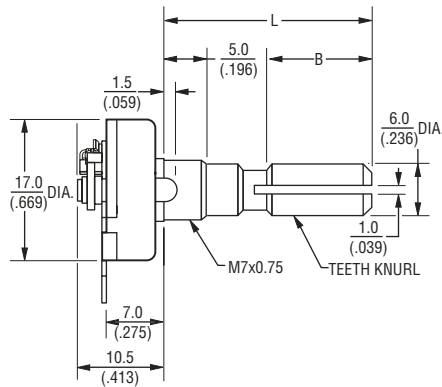
F-Shaft (Metal Flatted Type)



L	15 (.591)	20 (.787)	25 (.984)	30 (1.181)
F	7 (.275)	12 (.472)	12 (.472)	12 (.472)

Product Dimensions

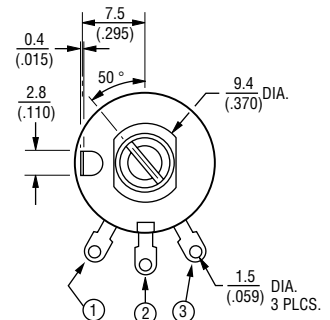
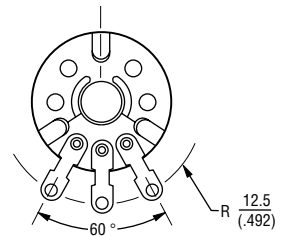
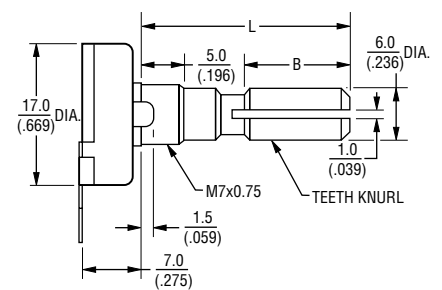
PDA17-SS



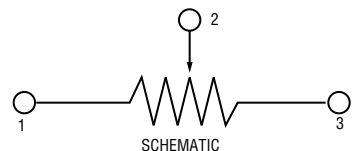
SHAFT SHOWN IN CCW POSITION

DIMENSIONS ARE: $\frac{\text{MM}}{\text{(INCHES)}}$

PDA17-SN



SHAFT SHOWN IN CCW POSITION



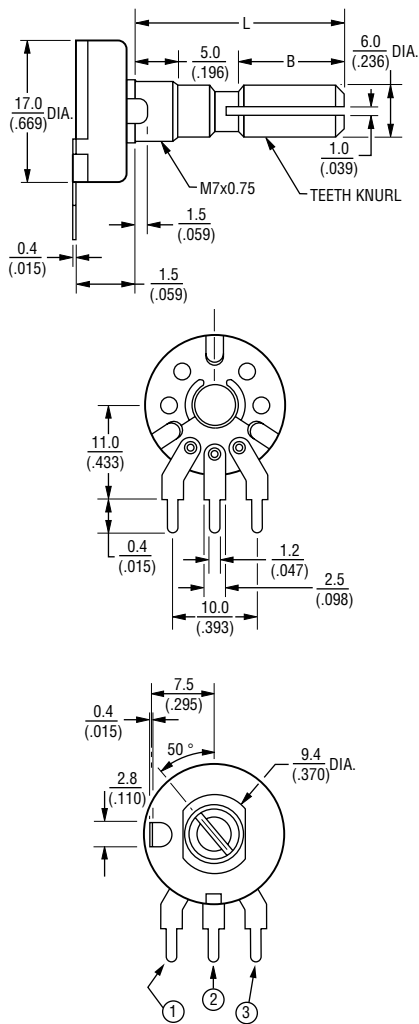
*RoHS Directive 2002/95/EC Jan 27 2003 including Annex. Specifications are subject to change without notice. Customers should verify actual device performance in their specific applications.

PDA17 Series - 17 mm Rotary Potentiometer

BOURNS®

Product Dimensions

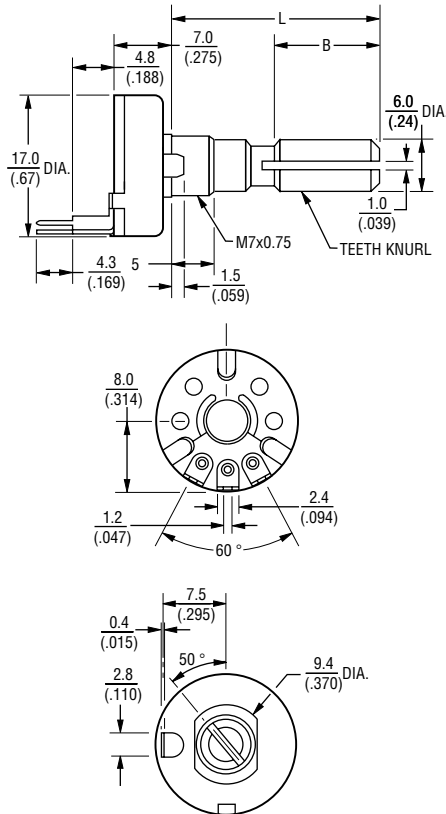
PDA17-AN



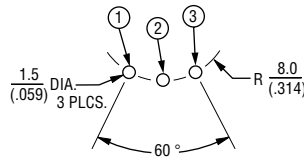
SHAFT SHOWN IN CCW POSITION

DIMENSIONS ARE: $\frac{\text{MM}}{\text{(INCHES)}}$

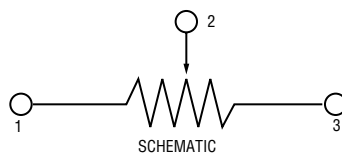
PDA17-VN



RECOMMENDED PCB LAYOUT

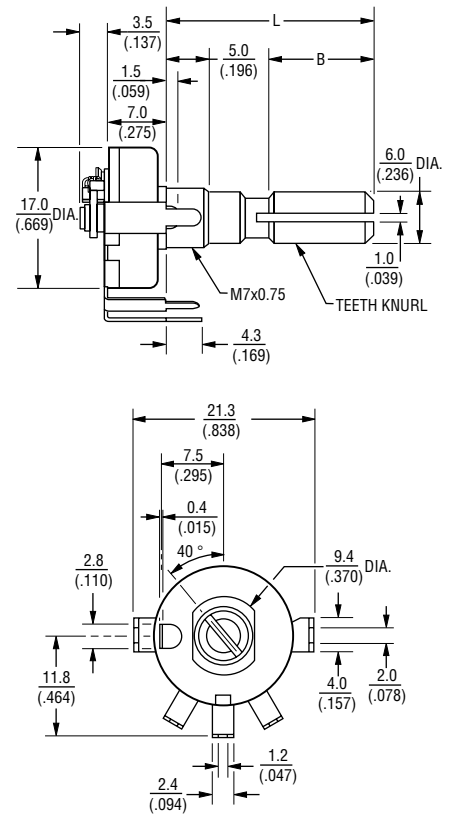


SHAFT SHOWN IN CCW POSITION

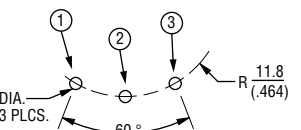
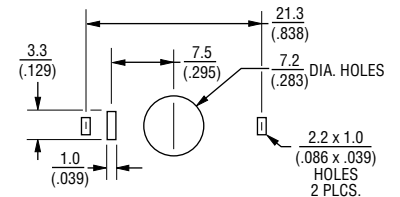


SCHEMATIC

PDA17-PS25



RECOMMENDED PCB LAYOUT



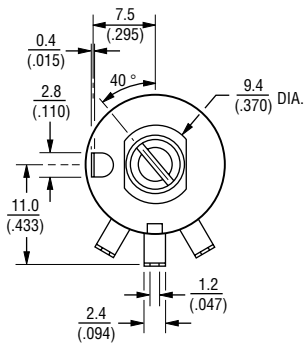
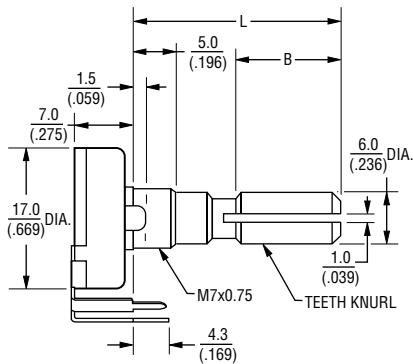
SHAFT SHOWN IN CCW POSITION

PDA17 Series - 17 mm Rotary Potentiometer

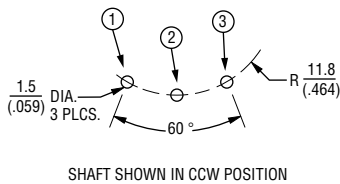
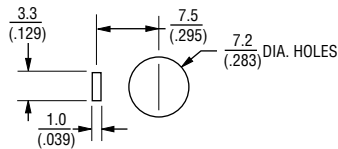
BOURNS®

Product Dimensions

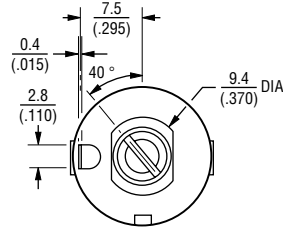
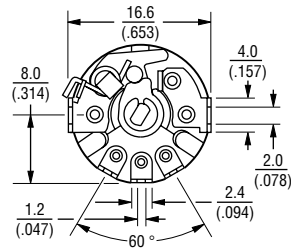
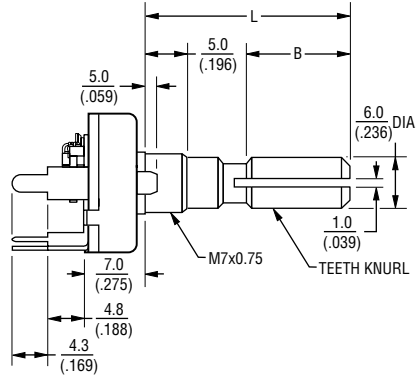
PDA17-PN25



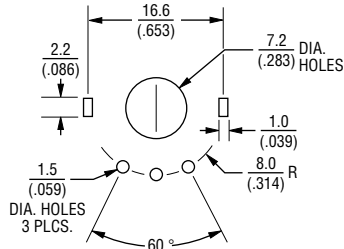
RECOMMENDED PCB LAYOUT



PDA17-VS25



RECOMMENDED PCB LAYOUT



SHAFT SHOWN IN CCW POSITION

DIMENSIONS ARE: $\frac{\text{MM}}{\text{(INCHES)}}$

How To Order

PDA17 - V N 20 - 102 A K

- Model _____
- Terminal Configuration _____
- S = Solder Lugs
 - A = PC Pins vertical/Down Facing
 - V = PC Pins horizontal/Rear Facing
 - P = PC Pins Front Facing
- Switch Option _____
- S = Switch
 - N = No Switch
- Standard Shaft Length _____
- 15 = 15 mm
 - 20 = 20 mm
 - 25 = 25 mm
 - 30 = 30 mm
- Resistance Code (See Table) _____
- Resistance Taper _____
- A = Audio Taper
 - B = Linear Taper
- Shaft Style _____
- K = Metal Knurled Shaft
 - 18 Toothed Serration Type
 - F = Metal Flatted Shaft
- Other configurations or styles available.

Standard Resistance Table

Resistance (Ohms)	Resistance Code
1,000	102
2,000	202
5,000	502
10,000	103
20,000	203
50,000	503
100,000	104
200,000	204
500,000	504
1,000,000	105

Derating Curve

