

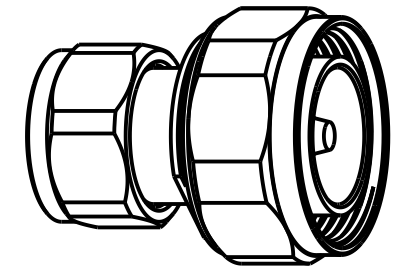
NOTES:

1. MATERIALS AND FINISH:
 BODY - BRASS, WHITE BRONZE PLATING
 CONTACT - BRASS, SILVER PLATING
 INSULATOR - PTFE, NATURAL
2. ELECTRICAL:
 A. IMPEDANCE: 50 OHM
 B. FREQUENCY RANGE: DC-6 GHz
 C. VSWR; 1.08 MAX @ DC - 4GHz
 D. DIELECTRIC WITHSTANDING VOLTAGE: 2500 VRMS. MIN.
 E. INTERMODULATION 3RD ORDER; -165 dBc MAX. (2*43 dBm)
3. MECHANICAL:
 A. DURABILITY: 500 CYCLES MIN.
 B. TEMPERATURE RANGE: -65°C TO +165°C

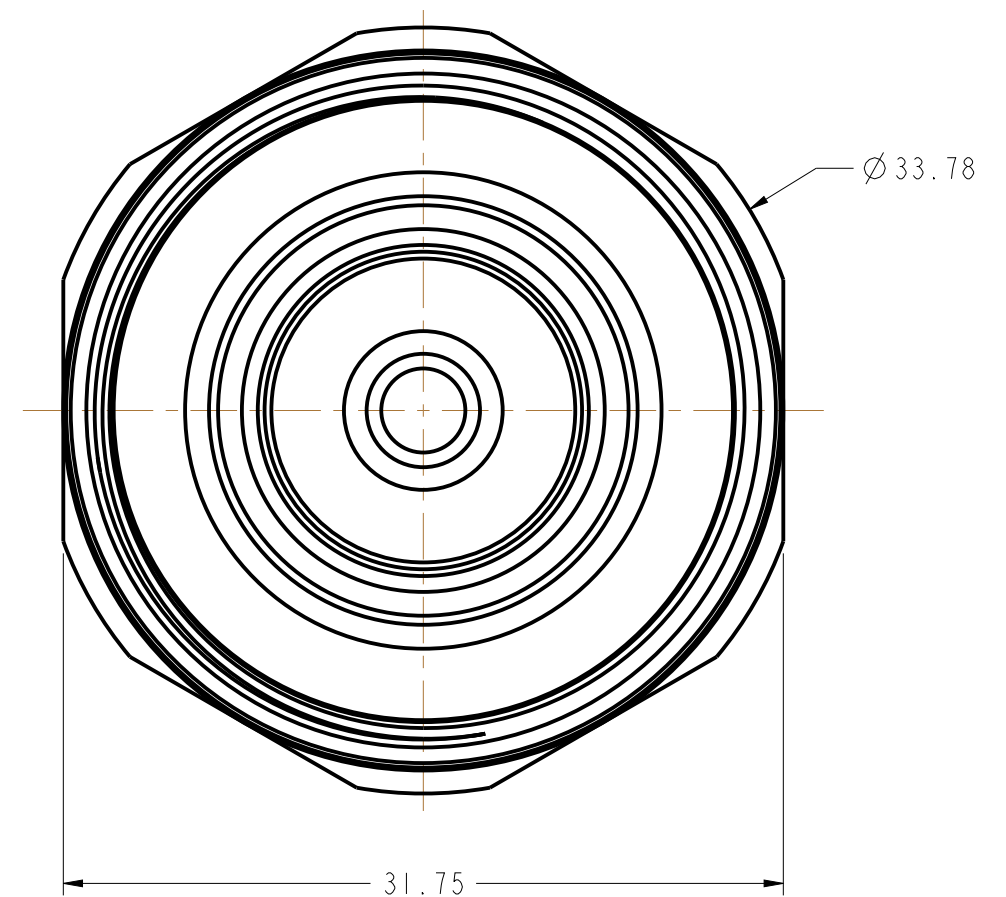
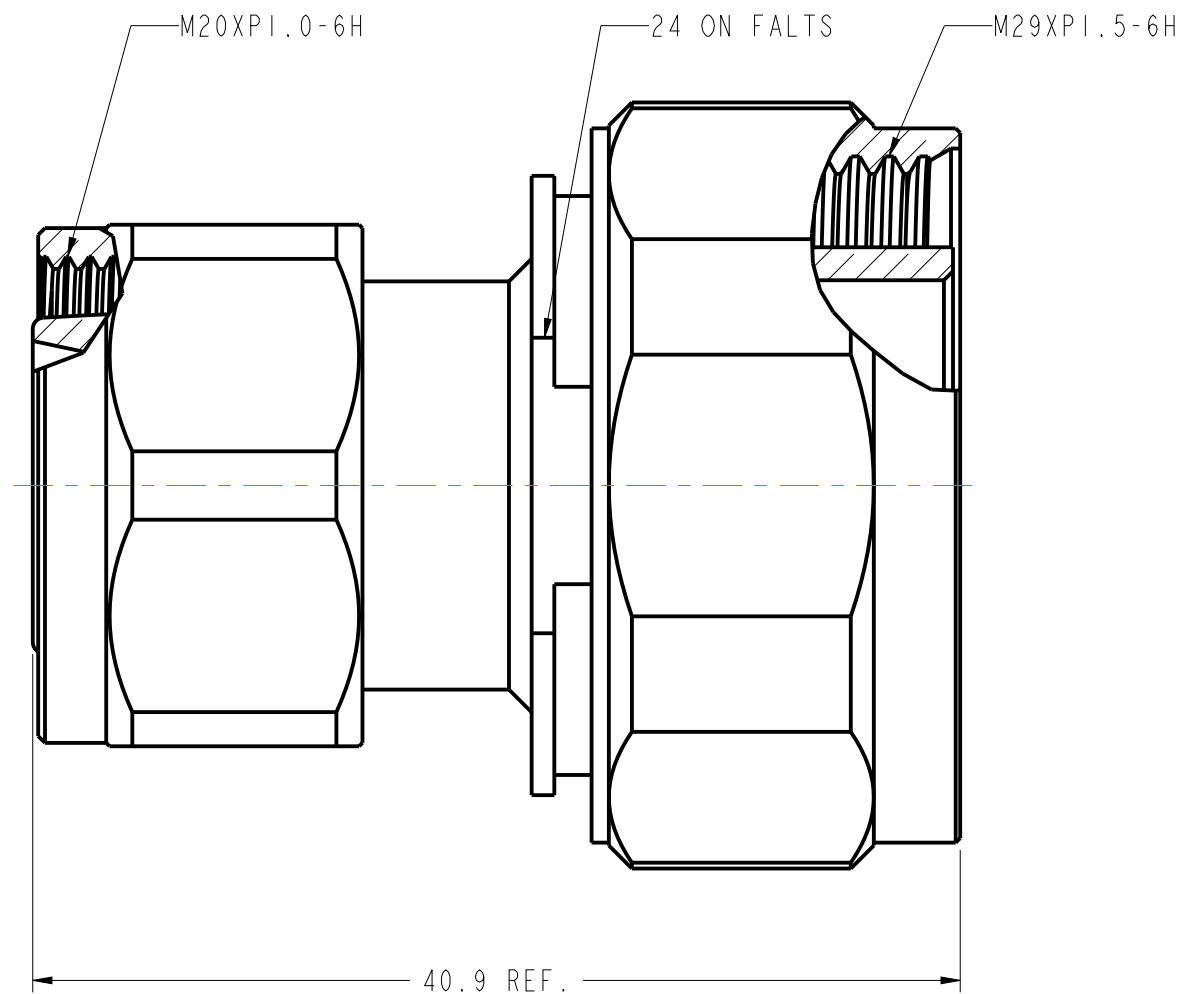
THIRD ANGLE PROJ.

REVISIONS

REV	DESCRIPTION	DATE	ECO	APPR
A	RELEASE TO MFG.	3/22/16	00201	KCE



SCALE 1.000



CUSTOMER OUTLINE DRAWING
 ALL OTHER SHEETS ARE FOR INTERNAL USE ONLY

UNLESS OTHERWISE SPECIFIED, DIMENSIONS ARE IN METRIC AND TOLERANCES ARE:
 <0.5mm ±0.05mm 0.5 - 6mm ±0.1mm 6 - 30mm ±0.2mm 30 - 120mm ±0.3mm ANGLES ±1°

NOTICE - These drawings, specifications, or other data (1) are, and remain the property of Amphenol corp. (2) must be returned upon request; and (3) are confidential and not to be disclosed to any person other than those to whom they are given by Amphenol Corp. the furnishing of these drawings, specifications, or other data by Amphenol Corp., or to any other person to anyone for any purpose is not to be regarded by implication or otherwise in any manner licensing, granting rights to permitting such holder or any other sperson to manufacture, use or sell any product, process or design, patented or otherwise, that may in any way be related to or disclosed by said drawings, specifications, or other data.

MATERIAL	DRAWN JEKY.C	DATE 25-Nov-14	TITLE 7/16 PLUG TO 4.3-10 PLUG GRADE 2 ADAPTOR		Amphenol RF Danbury CT USA, Tainan, Taiwan, Shenzhen, China www.amphenolrf.com	
REFERENCE AND CONFIGURATION LEVEL:	ENGINEER	DATE 25-Nov-14				
FINISH	APPROVED	DATE	SCALE: 3.0:1.0	SHEET 2 OF 2	DRAWING NO. 716M-4310M-ATS	
	CAD FILE		DWG SIZE B	REV A	ITEM NO. 07F-88M-AB-5-F	
					PART NO.	