

DeviceNet Mini-style Connectors

CM03A Series (Overmolded Cable Assembly)



Conforming Standard

DeviceNet

Waterproof

IP 67

Lock Type

Threaded Coupling

◆ OUTLINE

CM03A series is a overmolded cable assembly which is in accordance with DeviceNet Mini-Style,an official standard of ODVA(Open DeviceNet Vendor Association, Inc.).The connectors are provided with a pre mating contact which is a first make-last break contact to protect the circuit.

When mated, the pre mating contact is connected first before the other contacts and is detached last when dismated. CM03A series will be supplied by the style of the cable assemblies in order for you to eliminate the termination job. The cable assemblies for power are also available from our product line.

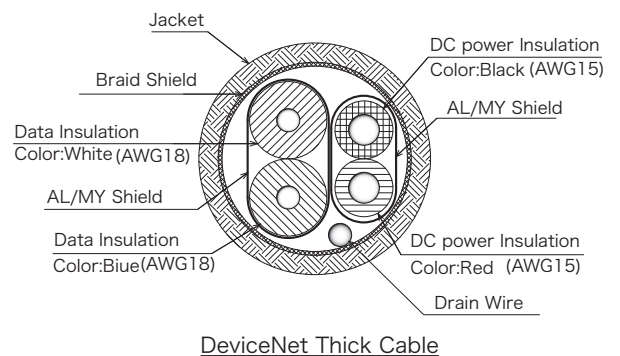


◆ FEATURES

- Intermateable with CM03 series.
- Rated for IP67 for environments.
- Solder termination style.

◆ SPECIFICATIONS

| | |
|---------------------------------|-------------------------------|
| Rated Current | 8A/Contact |
| Rated Voltage | 125V DC |
| Dielectric Withstanding Voltage | 1500V AC(r.m.s.) for 1 minute |
| Insulation Resistance | 100M Ω Min. at 500V DC |
| Operating Temperature Range | -20°C to +70°C |
| Waterproof | IP67 when mated |
| Pin Contact Size | φ 2.0 mm |
| No. of Contacts | 4 and 5 |



◆ MATERIAL/FINISH

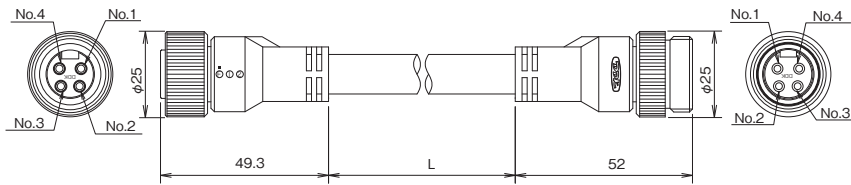


| Item | Plug | Jack |
|-------------------|-------------------------------|-------------------------------|
| Contact | Copper Alloy/Gold Plating | Copper Alloy/Gold Plating |
| Insulator | Synthetic Resin(UL94V-0)/Gray | Synthetic Resin(UL94V-0)/Gray |
| Coupling Ring | Zinc Alloy/Nickel Plating | Zinc Alloy/Nickel Plating |
| O Ring | Synthetic Rubber/Black | |
| Overmolding Resin | Plastic(UL94V-0)/Black | Plastic(UL94V-0)/Black |

© Specifications and/or dimensions in this catalog are subject to change without notice. © Your checking the latest specifications with our drawings would be highly appreciated.

▶ Double-Ended Cable Assemblies (4 Contacts)

- A plug connector with socket contacts and a jack connector with pin contacts



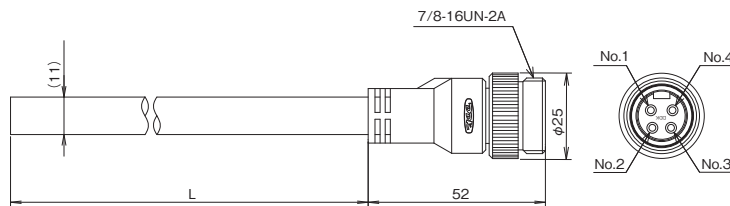
| L | P / N |
|--------|----------------|
| 1,000 | CM03AA-P4S-010 |
| 2,000 | CM03AA-P4S-020 |
| 3,000 | CM03AA-P4S-030 |
| 5,000 | CM03AA-P4S-050 |
| 10,000 | CM03AA-P4S-100 |

Wiring

| Number of Contacts | Cable Color | Signal |
|--------------------|-------------|--------|
| 1 | Black | V - |
| 2 | White | V + |
| 3 | Red | V + |
| 4 | Green | V - |

▶ Jack Single-Ended Cable Assemblies (4 Contacts)

- Jack connector with pin contacts



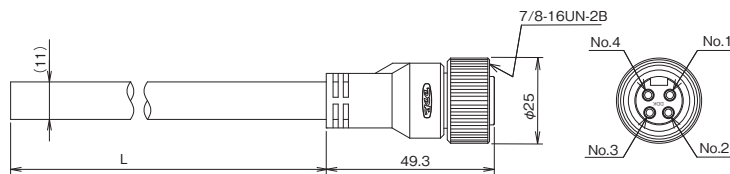
| L | P / N |
|--------|---------------|
| 1,000 | CM03A-J4P-010 |
| 2,000 | CM03A-J4P-020 |
| 3,000 | CM03A-J4P-030 |
| 5,000 | CM03A-J4P-050 |
| 10,000 | CM03A-J4P-100 |

Wiring

| Number of Contacts | Cable Color | Signal |
|--------------------|-------------|--------|
| 1 | Black | V - |
| 2 | White | V + |
| 3 | Red | V + |
| 4 | Green | V - |

▶ Plug Single-Ended Cable Assemblies (4 Contacts)

- Plug connector with socket contacts



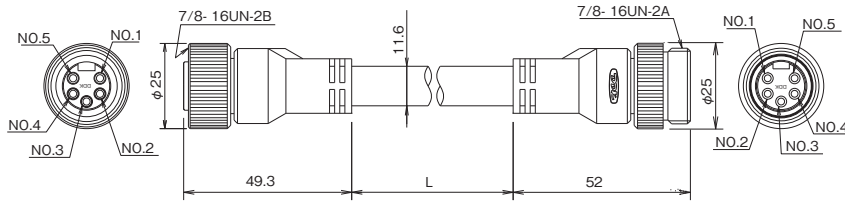
| L | P / N |
|--------|---------------|
| 1,000 | CM03A-P4S-010 |
| 2,000 | CM03A-P4S-020 |
| 3,000 | CM03A-P4S-030 |
| 5,000 | CM03A-P4S-050 |
| 10,000 | CM03A-P4S-100 |

Wiring

| Number of Contacts | Cable Color | Signal |
|--------------------|-------------|--------|
| 1 | Black | V - |
| 2 | White | V + |
| 3 | Red | V + |
| 4 | Green | V - |

▶ Double-Ended Cable Assemblies (5 Contacts)

- Plug with socket contacts and jack with pin contacts



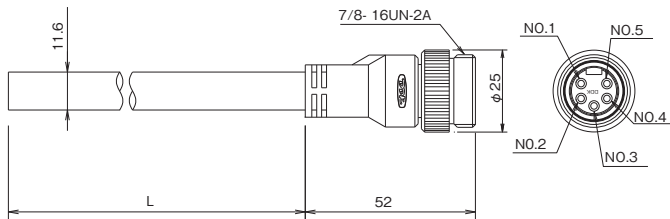
| L | P / N |
|--------|----------------|
| 1,000 | CM03AA-P5S-010 |
| 2,000 | CM03AA-P5S-020 |
| 3,000 | CM03AA-P5S-030 |
| 5,000 | CM03AA-P5S-050 |
| 10,000 | CM03AA-P5S-100 |

Wiring

| Number of Contacts | Cable Color | Signal |
|--------------------|-------------|--------|
| 1 | — | DRAIN |
| 2 | Red | V + |
| 3 | Black | V - |
| 4 | White | CAN H |
| 5 | Blue | CAN L |

▶ Jack Single-Ended Cable Assemblies (5 Contacts)

- Jack connector with pin contacts



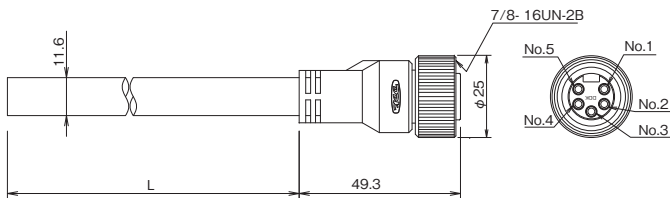
| L | P / N |
|--------|---------------|
| 1,000 | CM03A-J5P-010 |
| 2,000 | CM03A-J5P-020 |
| 3,000 | CM03A-J5P-030 |
| 5,000 | CM03A-J5P-050 |
| 10,000 | CM03A-J5P-100 |

Wiring

| Number of Contacts | Cable Color | Signal |
|--------------------|-------------|--------|
| 1 | — | DRAIN |
| 2 | Red | V + |
| 3 | Black | V - |
| 4 | White | CAN H |
| 5 | Blue | CAN L |

▶ Plug Single-Ended Cable Assemblies (5 Contacts)

- Plug connector with socket contacts

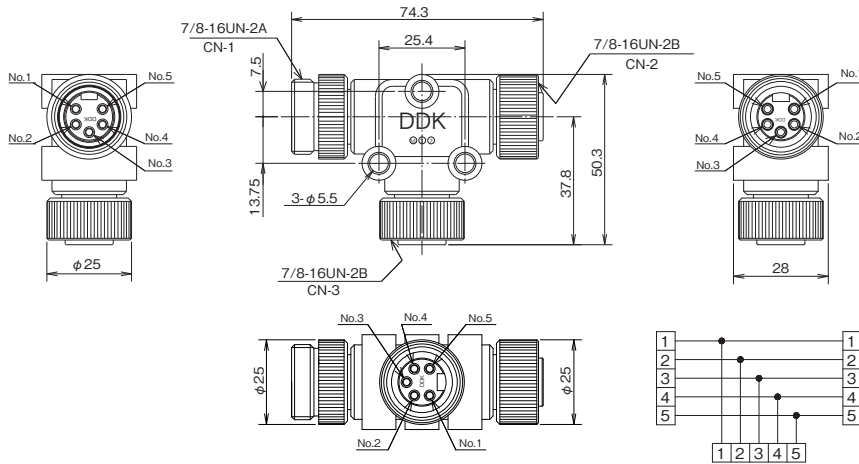


| L | P / N |
|--------|---------------|
| 1,000 | CM03A-P5S-010 |
| 2,000 | CM03A-P5S-020 |
| 3,000 | CM03A-P5S-030 |
| 5,000 | CM03A-P5S-050 |
| 10,000 | CM03A-P5S-100 |

Wiring

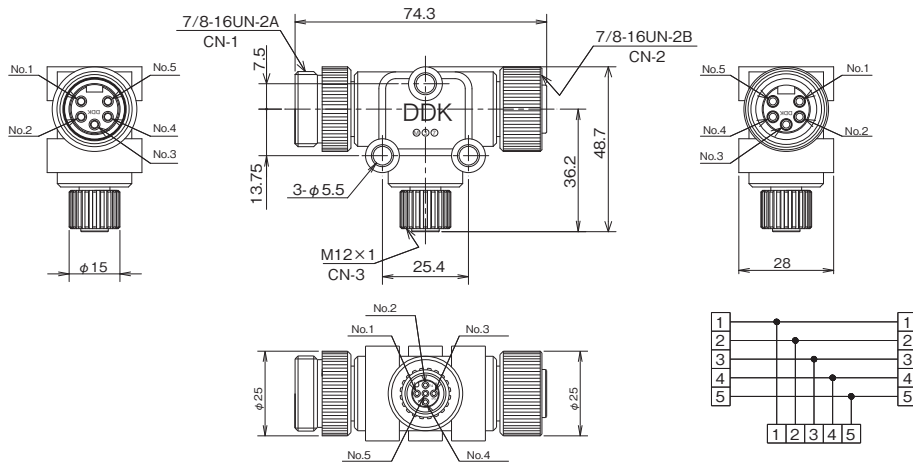
| Number of Contacts | Cable Color | Signal |
|--------------------|-------------|--------|
| 1 | — | DRAIN |
| 2 | Red | V + |
| 3 | Black | V - |
| 4 | White | CAN H |
| 5 | Blue | CAN L |

▶ T Divergence Adapter (For Trunk Line)



| P/N | Connector Name | | |
|-------------|-----------------|----------------|------|
| | CN-1 | CN-2 | CN-3 |
| CM03A-TA5-1 | CM03-P5S | CM03-J5P | |
| | CM03-PR5S- □ | CM03-R5P- □ | |
| | CM03A-PR5S-S- □ | CM03A-J5P- □ | |
| | CM03A-P5S- □ | CM03A-R5P-S- □ | |

▶ T Divergence Adapter (For Branch Line)

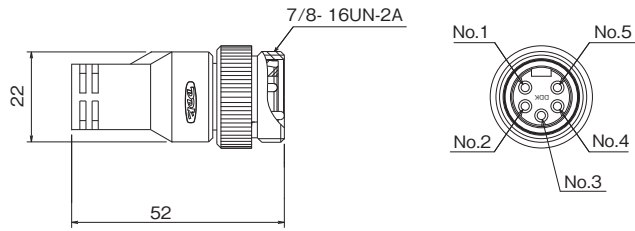


| P/N | Connector Name | | |
|-------------|-----------------|----------------|------------------|
| | CN-1 | CN-2 | CN-3 |
| CM03A-TA5-2 | CM03-P5S | CM03-J5P | CM02-8DR5P- □ |
| | CM03-PR5S- □ | CM03-R5P- □ | CM02-8DR5PD (D1) |
| | CM03A-PR5S-S- □ | CM03A-J5P- □ | CM02A-8DJ5P- □ |
| | CM03A-P5S- □ | CM03A-R5P-S- □ | CM02B-8DJ5P- □ |

▶ Terminating Resistor With Jack (Pin)

- Terminated between No.4 and No.5 with resistor, 121 ohm, 1/4watt.

P/N : CM03A-ER5P



▶ Cap

Plug Cap

P/N : CM03-PRC

Receptacle Cap

P/N : CM03-RC

