

4

3

2

1

THIS DRAWING IS UNPUBLISHED.

RELEASED FOR PUBLICATION

2011

© COPYRIGHT 2011 BY -

ALL RIGHTS RESERVED.

LOC

DIST

REVISIONS

P	LTR	DESCRIPTION	DATE	DWN	APVD
E		PARTS -1 AND 1-1 RELEASED FOR PRODUCTION	12SEP2011	MZ	GT
E1		REVISED MARKINGS	06NOV2012	MZ	JC
F		PARTS -2, -3, 1-2, 1-3 RELEASED FOR PRODUCTION	26JUN2013	KR	JC

22.00  
ACROSS HEXAGON  
8.15±0.10  
5.60  
(TYP X3)  
Ø13.10

400V  
X-293598-X  
IPXX  
1.5  
16A  
25  
20A  
Ø9.30

M18 X 1.5  
THREAD

8  
10  
14

NOTES:

1 MATERIAL: POLYAMIDE GLASS FILLED  
COLOUR NATURAL

2 MATERIAL: POLYAMIDE GLASS FILLED  
COLOUR BLACK

3) PACKAGING: SEE TE PACKAGING SPECIFICATION  
107-20294

4 AREA FOR AGENCY APPROVAL LOGO

5 TE LOGO

6 TE PART NUMBER

7 CONDUCTOR SIZE AND CURRENT RATING

8 N CODE

9 L CODE

10 PE CODE

11 RATED VOLTAGE

12 IP CODE

13 PART NOT YET TOOLED AND NOT RELEASED  
FOR PRODUCTION

14 CAVITY MOULD CODE

3D VIEWS,  
FOR REFERENCE ONLY

SCALE 1:1

THIS DRAWING IS A CONTROLLED DOCUMENT.

DWN M. ZUCCA 29OCT2009

CHK M. ZUCCA 29OCT2009

APVD G. TURCO 29OCT2009

PRODUCT SPEC

108-20304

APPLICATION SPEC

114-20452

WEIGHT ~6.2 g

Customer Drawing

DIMENSIONS:  
mm

TOLERANCES UNLESS  
OTHERWISE SPECIFIED:

0 PLC	±
1 PLC	±0.3
2 PLC	±0.20
3 PLC	±
4 PLC	±
ANGLES	±3°

MATERIAL SEE NOTES

FINISH -

NAME  
PIN HOUSING  
PANEL MOUNT VERSION  
NECTOR\* M-LINE

SIZE CAGE CODE DRAWING NO RESTRICTED TO

A300779 C-293598

SCALE 2:1 SHEET 1 OF 4 REV F

1470-19 (3/11)

THIS DRAWING IS UNPUBLISHED.

RELEASED FOR PUBLICATION

2011

© COPYRIGHT 2011 BY -

ALL RIGHTS RESERVED.

LOC	DIST	REVISIONS					
		P	LTR	DESCRIPTION	DATE	DWN	APVD
1	-		-	SEE SHEET 1	-	-	-

### PLARIZATION KEYS

TYPE "A"	TYPE "B"	TYPE "C"
P/Ns: 0-293598-1, 1-293598-1, 2-293598-1	P/Ns: 0-293598-2, 1-293598-2, 2-293598-2	P/Ns: 0-293598-3, 1-293598-3, 2-293598-3
TYPE "D"	TYPE "E"	TYPE "F"
P/Ns: 0-293598-4, 1-293598-4, 2-293598-4	P/Ns: 0-293598-5, 1-293598-5, 2-293598-5	P/Ns: 0-293598-6, 1-293598-6, 2-293598-6

13	67	F	BLACK	2	PIN HSG PANEL MOUNT VERS. NECTOR* M-LINE	D	2-293598-6
13	67	E	BLACK	2	PIN HSG PANEL MOUNT VERS. NECTOR* M-LINE	D	2-293598-5
13	67	D	BLACK	2	PIN HSG PANEL MOUNT VERS. NECTOR* M-LINE	D	2-293598-4
13	67	C	BLACK	2	PIN HSG PANEL MOUNT VERS. NECTOR* M-LINE	D	2-293598-3
13	67	B	BLACK	2	PIN HSG PANEL MOUNT VERS. NECTOR* M-LINE	D	2-293598-2
13	67	A	BLACK	2	PIN HSG PANEL MOUNT VERS. NECTOR* M-LINE	D	2-293598-1
13	40	F	BLACK	2	PIN HSG PANEL MOUNT VERS. NECTOR* M-LINE	D	1-293598-6
13	40	E	BLACK	2	PIN HSG PANEL MOUNT VERS. NECTOR* M-LINE	D	1-293598-5
13	40	D	BLACK	2	PIN HSG PANEL MOUNT VERS. NECTOR* M-LINE	D	1-293598-4
	40	C	BLACK	2	PIN HSG PANEL MOUNT VERS. NECTOR* M-LINE	F	1-293598-3
	40	B	BLACK	2	PIN HSG PANEL MOUNT VERS. NECTOR* M-LINE	F	1-293598-2
	40	A	BLACK	2	PIN HSG PANEL MOUNT VERS. NECTOR* M-LINE	F	1-293598-1
13	40	F	NATURAL	1	PIN HSG PANEL MOUNT VERS. NECTOR* M-LINE	D	0-293598-6
13	40	E	NATURAL	1	PIN HSG PANEL MOUNT VERS. NECTOR* M-LINE	D	0-293598-5
13	40	D	NATURAL	1	PIN HSG PANEL MOUNT VERS. NECTOR* M-LINE	D	0-293598-4
	40	C	NATURAL	1	PIN HSG PANEL MOUNT VERS. NECTOR* M-LINE	F	0-293598-3
	40	B	NATURAL	1	PIN HSG PANEL MOUNT VERS. NECTOR* M-LINE	F	0-293598-2
	40	A	NATURAL	1	PIN HSG PANEL MOUNT VERS. NECTOR* M-LINE	F	0-293598-1

NOTE	IP DEGREE CODE	POL. KEYING	COLOUR	MATERIAL	DESCRIPTION	REV.	PART NUMBER
------	----------------	-------------	--------	----------	-------------	------	-------------

THIS DRAWING IS A CONTROLLED DOCUMENT.

DIMENSIONS: mm	TOLERANCES UNLESS OTHERWISE SPECIFIED:
	0 PLC ± 1 PLC ±0.3 2 PLC ±0.20 3 PLC ± 4 PLC ± ANGLES ±3° FINISH -
MATERIAL	SEE NOTES

DWN	M. ZUCCA	29OCT2009
CHK	M. ZUCCA	29OCT2009
APVD	G. TURCO	29OCT2009
PRODUCT SPEC	108-20304	
APPLICATION SPEC	114-20452	
WEIGHT	~6.2 g	

**STE** TE Connectivity

NAME  
**PIN HOUSING  
PANEL MOUNT VERSION  
NECTOR\* M-LINE**

SIZE	CAGE CODE	DRAWING NO	RESTRICTED TO
A3	00779	C-293598	-

Customer Drawing      SCALE 2:1      SHEET 2 OF 4      REV F

THIS DRAWING IS UNPUBLISHED.

RELEASED FOR PUBLICATION

2011

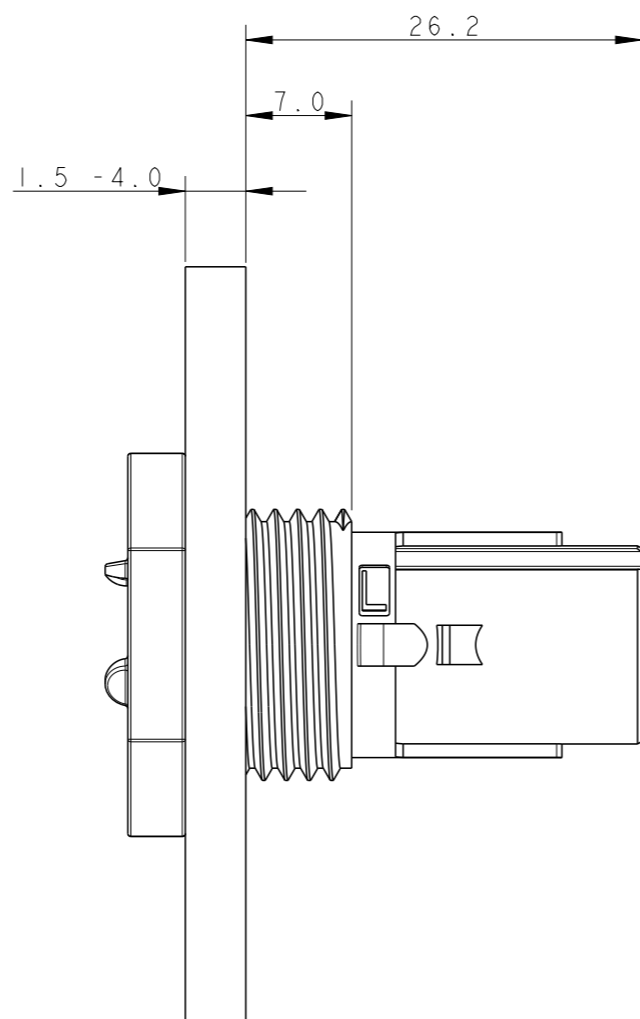
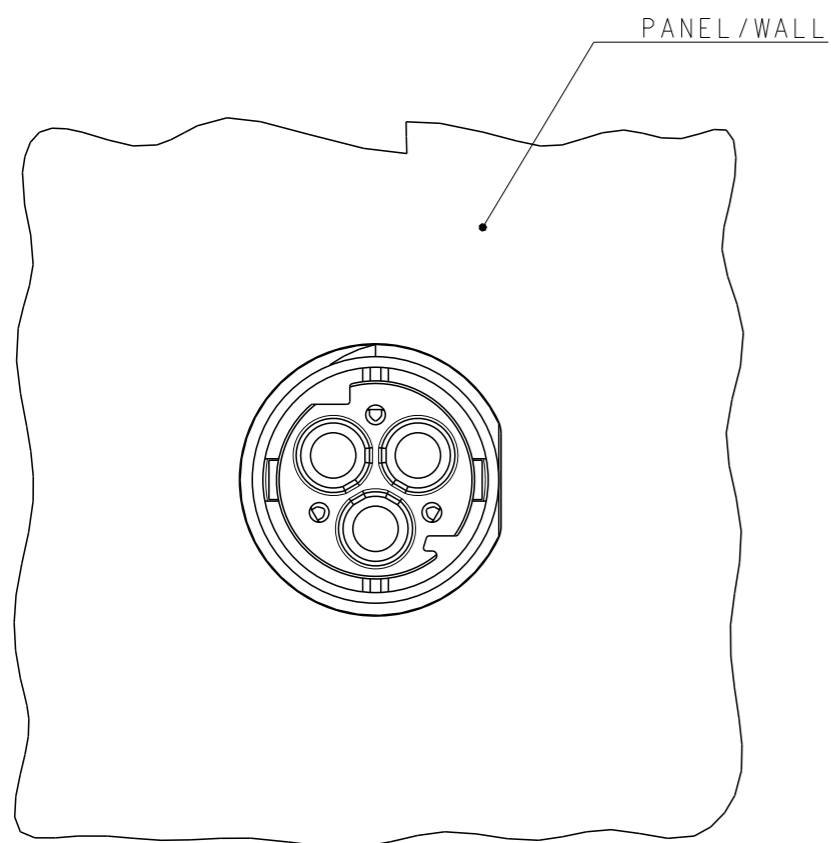
© COPYRIGHT 2011 BY -

ALL RIGHTS RESERVED.

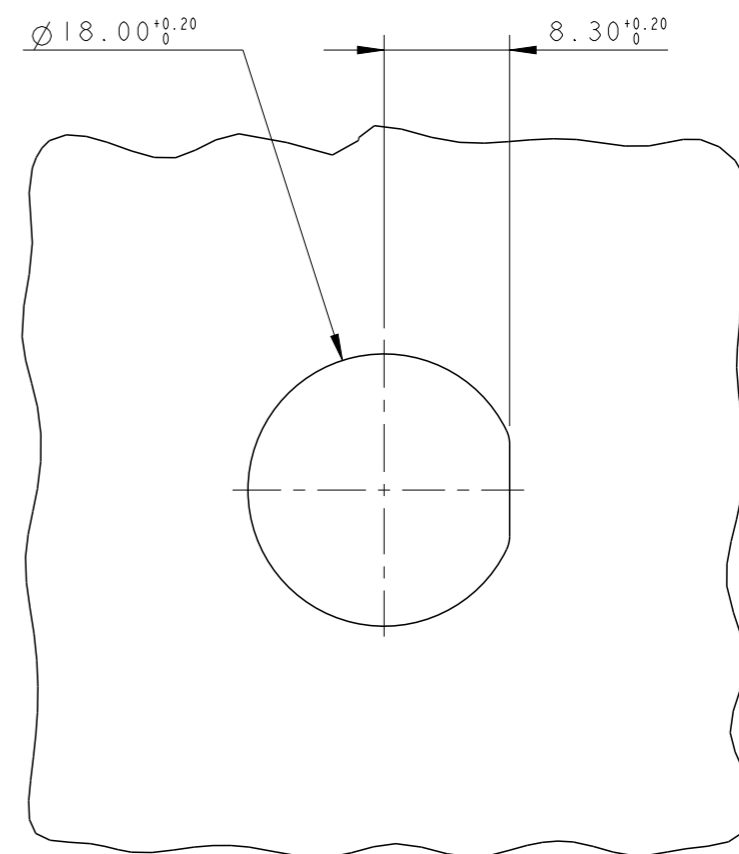
LOC  
1  
DIST  
-

REVISIONS

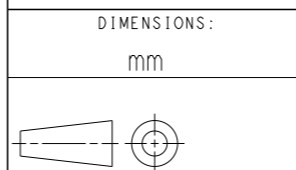
P	LTR	DESCRIPTION	DATE	DWN	APVD
-	-	SEE SHEET 1	-	-	-



PANEL / WALL  
SUGGESTED CUT OUT



THIS DRAWING IS A CONTROLLED DOCUMENT.



MATERIAL SEE NOTES

DIMENSIONS:		TOLERANCES UNLESS OTHERWISE SPECIFIED:	
mm			
0 PLC	±		
1 PLC	±0.3		
2 PLC	±0.20		
3 PLC	±		
4 PLC	±		
ANGLES	±3°		
FINISH	-		

DWN	M. ZUCCA	29OCT2009
CHK	M. ZUCCA	29OCT2009
APVD	G. TURCO	29OCT2009
PRODUCT SPEC	108-20304	
APPLICATION SPEC	114-20452	
WEIGHT	~6.2 g	

		TE Connectivity	
		NAME PIN HOUSING PANEL MOUNT VERSION NECTOR* M-LINE	
SIZE	CAGE CODE	DRAWING NO	RESTRICTED TO
A3	00779	C-293598	-

Customer Drawing	SCALE 2:1	SHEET 3 OF 4	REV F
------------------	-----------	--------------	-------

THIS DRAWING IS UNPUBLISHED.

RELEASED FOR PUBLICATION

2011

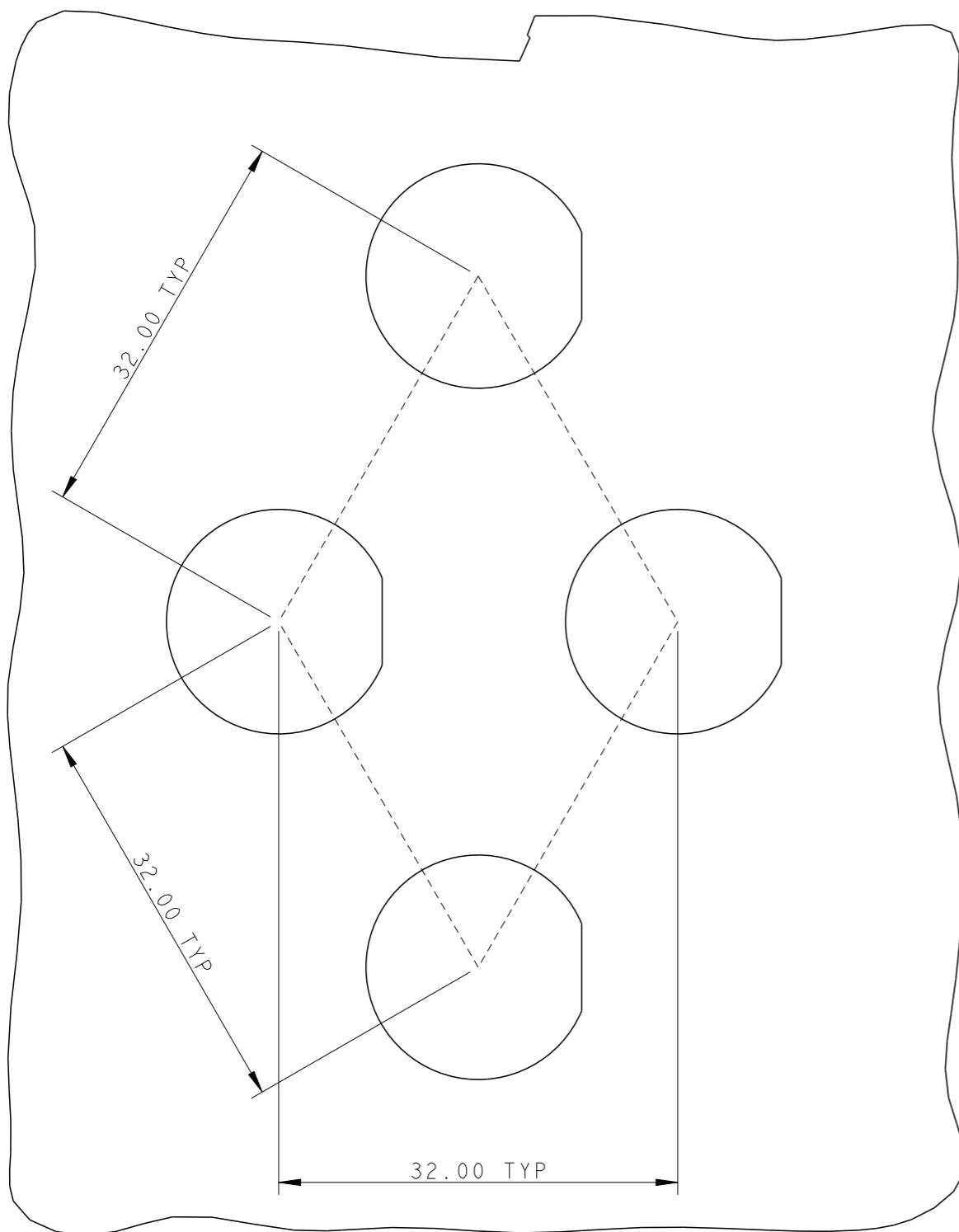
© COPYRIGHT 2011 BY -

ALL RIGHTS RESERVED.

LOC	DIST	REVISIONS					
		P	LTR	DESCRIPTION	DATE	DWN	APVD
1	-	-	-	SEE SHEET 1	-	-	-

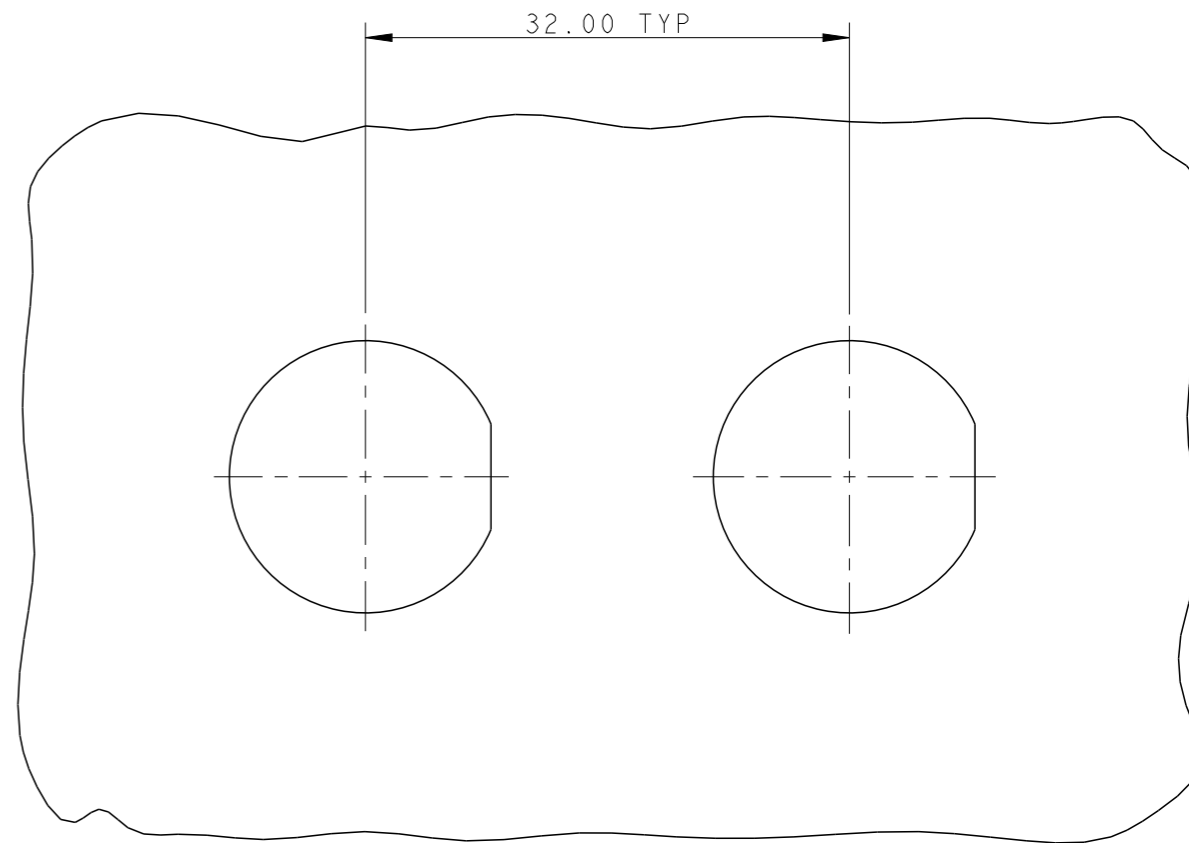
PANEL / WALL  
SUGGESTED CUT OUT FOR  
MULTIPLE HOLES ON MULTIPLE ROWS

(PITCH CAN BE ADJUSTED TO CUSTOMER  
 NEED BUT IN ANY CASE MUST NOT BE LESS  
 THAN 30.00 mm)



PANEL / WALL  
SUGGESTED CUT OUT FOR  
MULTIPLE HOLES ON SINGLE ROW

(PITCH CAN BE ADJUSTED TO CUSTOMER  
 NEED BUT IN ANY CASE MUST NOT BE LESS  
 THAN 30.00 mm)



THIS DRAWING IS A CONTROLLED DOCUMENT.

DWN M. ZUCCA 29OCT2009

CHK M. ZUCCA 29OCT2009

APVD G. TURCO 29OCT2009

PRODUCT SPEC

108-20304

APPLICATION SPEC

114-20452

WEIGHT ~6.2 g

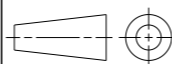
NAME  
**STE** TE Connectivity  
 PIN HOUSING  
 PANEL MOUNT VERSION  
 NECTOR\* M-LINE

SIZE CAGE CODE DRAWING NO RESTRICTED TO

A300779 C-293598 -

DIMENSIONS:  
mm

TOLERANCES UNLESS  
OTHERWISE SPECIFIED:



- 0 PLC ±-
- 1 PLC ±0.3
- 2 PLC ±0.20
- 3 PLC ±-
- 4 PLC ±-
- ANGLES ±3°

MATERIAL SEE NOTES

FINISH -

Customer Drawing

SCALE 2:1

SHEET 4 OF 4

REV F