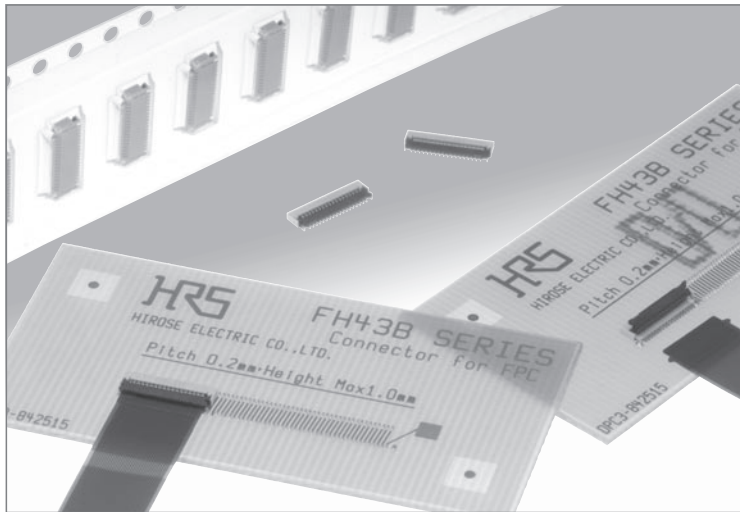


NEW

0.2 mm Pitch, 0.9 mm above the board, Flexible Printed Circuit ZIF Connectors

FH43B Series



■ Features

1. Low-profile, small PCB mounting area

Board footprint: Reduced approximately 45%
 Weight: Reduced approximately 55%
 (As compared with Hirose Electric's FH26 Series connectors 51 positions)

2. Easy solderability on the PC board

The soldering leads are on 0.4 mm pitch, exiting on front and back of the connector.

3. Conductive traces on the PCB can run under the connector

No exposed contacts on the bottom of the connector.

4. Easy FPC insertion and reliable electrical connection

Proven Flip Lock actuator allows easy insertion of FPC and provides a tactile sensation when fully closed, confirming complete electrical and mechanical connection.

5. Easy FPC/FFC insertion

FPC/FFC is self-guided in the connector assuring correct and reliable electrical and mechanical connection.

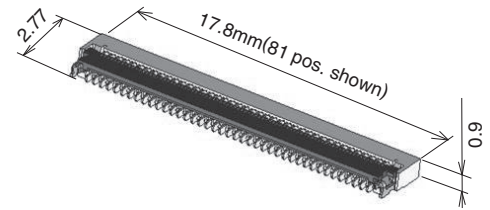
6. Accepts standard FPC thickness

0.2mm thick standard Flexible Printed Circuit (FPC) can be used. This is the only ultra-low profile ZIF connector using standard FPC.

7. Board placement with automatic equipment

Flat upper surface and tape and reel packaging facilitate vacuum pick-up and placement. Standard reel packaging contains 5000 connectors.

Space saving

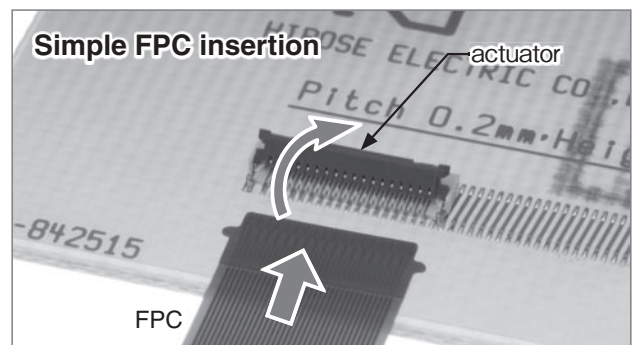


Can be mounted over conductive traces.

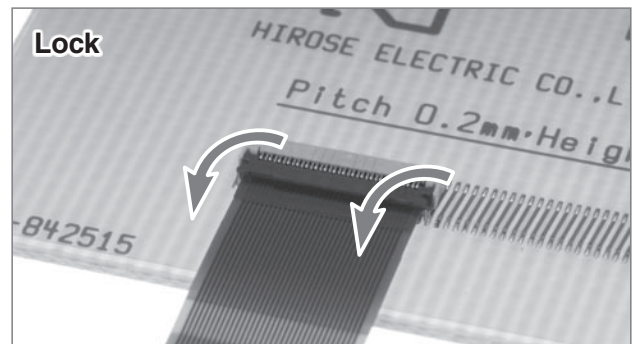


No exposed contacts on the bottom of the connector

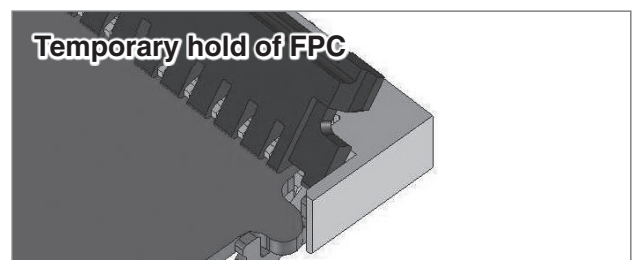
Simple FPC insertion



Lock



Temporary hold of FPC



■ Specifications

Ratings	Current rating	0.2 A	Operating temperature range	-55 to +85°C (Note 1)	Storage temperature range	-10 to +50°C (Note 2)
	Voltage rating	30 Vrms AC	Operating humidity range	Relative humidity 90% max. (No condensation)	Storage humidity range	Relative humidity 90% max. (No condensation)

Recommended FPC Thickness	0.2 ± 0.02 mm, Gold plated contact pads
---------------------------	---

Item	Specification	Conditions
1. Insulation resistance	50 MΩ min.	100 V DC
2. Withstanding voltage	No flashover or insulation breakdown	90 Vrms AC / one minute
3. Contact resistance	100 mΩ max. * Including FPC conductor resistance	1 mA, AC max (AC: 1kHz)
4. Durability	Contact resistance: 100 mΩ max. No damage, cracks, or parts dislocation	10 cycles
5. Vibration	No electrical discontinuity of 1μs or longer Contact resistance: 100 mΩ max. No damage, cracks, or parts dislocation	Frequency: 10 to 55 Hz, single amplitude of 0.75mm, 10 cycles in each of the 3 axis
6. Shock	No electrical discontinuity of 1μs or longer Contact resistance: 100 mΩ max. No damage, cracks, or parts dislocation	Acceleration of 981m/s ² , 6 ms duration, sine halfwave, 3 cycles in each of the 3 axis
7. Humidity (Steady state)	Contact resistance: 100 mΩ max. Insulation resistance: 50 MΩ min. No damage, cracks, or parts dislocation	96 hours at 40°C and humidity of 90 to 95%
8. Temperature cycle	Contact resistance: 100 mΩ max. Insulation resistance: 50 MΩ min. No damage, cracks, or parts dislocation	Temperature : -55°C → +15°C to +35°C → +85°C → +15°C to +35°C Time: 30 → 2 to 3 → 30 → 2 to 3 minutes 5 cycles
9. Resistance to soldering heat	No deformation of components affecting performance	Reflow: At the recommended temperature profile Manual soldering: 350°C ±10°C for 5 seconds

Note 1. Includes temperature rise caused by current flow.

Note 2. The term "storage" refers to products stored for a long period prior to mounting and use.

The operating temperature and humidity range covers the non-conducting condition of installed connectors in storage, shipment or during transportation after board mounting.

Note 3. Information contained in this catalog represents general requirements for this Series.

Contact us for the drawings and specifications for a specific part number shown.

■ Materials

Part	Material	Finish	Remarks
Insulator	LCP	Color:Beige	UL94V-0
	PA	Color:Black	
Contacts	Phosphor bronze	Gold plated	—
Metafittings		Pure tin reflow plated	—

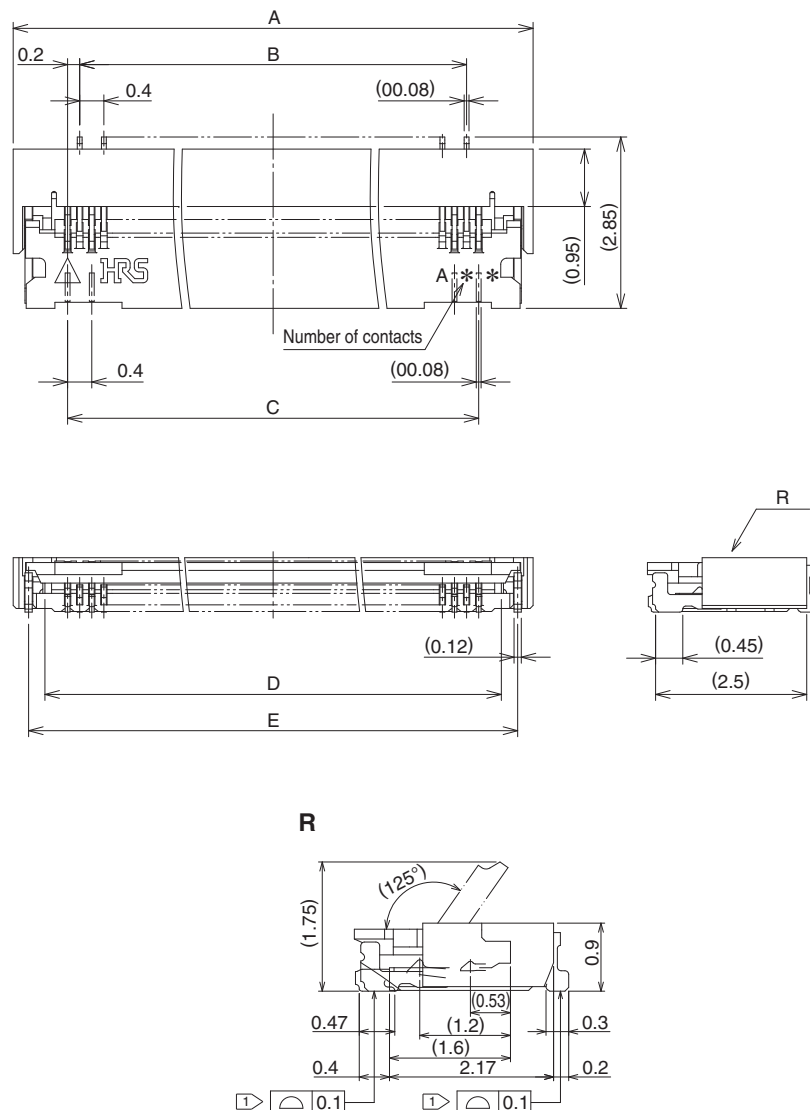
■ Ordering information

FH 43B - 51S - 0.2 SHW (10)

① ② ③ ④ ⑤ ⑥

① Series name : FH	⑤ Termination type : SHW...SMT horizontal staggered row mount type
② Series No.: 43B	
③ Number of positions : 21to81	⑥ Plating specifications (10)...Gold plating with nickel barrier
④ Contact pitch : 0.2mm	

■Connector Dimensions



Note 1 The coplanarity of each terminal lead within specified dimension is 0.1 mm Max.

2. Packaged on tape and reel only. Check packaging specification.
3. Slight variations in color of the plastic compounds do not affect form, fit or function of the connector.
4. After reflow, the terminal plating may change color, however this does not represent a quality issue.

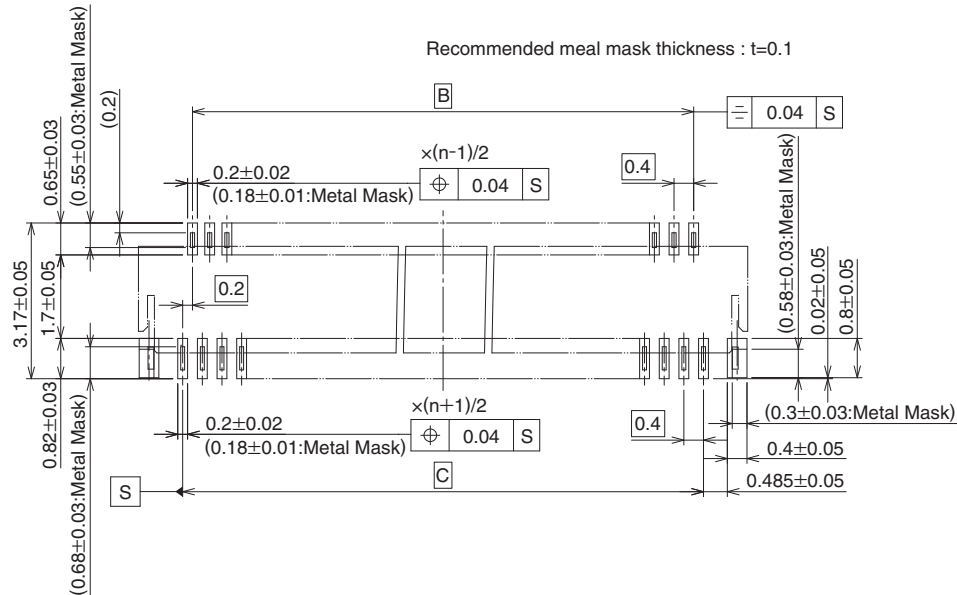
Unit : mm

Part Number	CL No.	Number of contacts	A	B	C	D	E
FH43B-21S-0.2SHW(10)	—	21	5.8	3.6	4	4.53	5.29
FH43B-25S-0.2SHW(10)	—	25	6.6	4.4	4.8	5.33	6.09
FH43B-31S-0.2SHW(10)	—	31	7.8	5.6	6	6.53	7.29
FH43B-35S-0.2SHW(10)	0580-2803-5-10	35	8.6	6.4	6.8	7.33	8.09
FH43B-41S-0.2SHW(10)	—	41	9.8	7.6	8	8.53	9.29
FH43B-45S-0.2SHW(10)	—	45	10.6	8.4	8.8	9.33	10.09
FH43B-51S-0.2SHW(10)	0580-2806-3-10	51	11.8	9.6	10	10.53	11.29
FH43B-61S-0.2SHW(10)	0580-2805-0-10	61	13.8	11.6	12	12.53	13.29
FH43B-71S-0.2SHW(10)	0580-2807-6-10	71	15.8	13.6	14	14.53	15.29
FH43B-81S-0.2SHW(10)	—	81	17.8	15.6	16	16.53	17.29

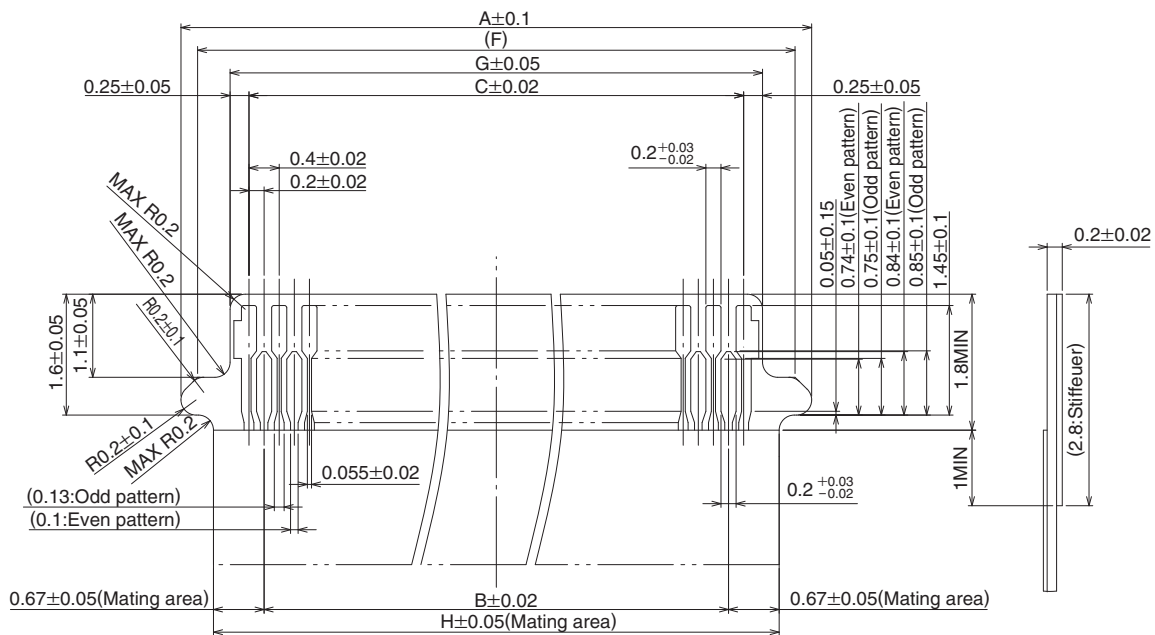
Note1. Tape and reel packaging (5,000 pieces/reel).

Order by number of reels.

Recommended PCB mounting pattern and metal mask dimensions



Recommended FPC Dimensions



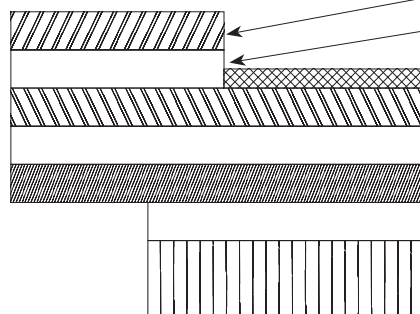
Recommended FPC construction

Unit : mm

Part Number	CL No.	Number of contacts	B	C	F	G	H
FH43B-21S-0.2SHW(10)	—	21	3.6	4	5.3	4.5	4.94
FH43B-25S-0.2SHW(10)	—	25	4.4	4.8	6.1	5.3	5.74
FH43B-31S-0.2SHW(10)	—	31	5.6	6	7.3	6.5	6.94
FH43B-35S-0.2SHW(10)	0580-2803-5-10	35	6.4	6.8	8.1	7.3	7.74
FH43B-41S-0.2SHW(10)	—	41	7.6	8	9.3	8.5	8.94
FH43B-45S-0.2SHW(10)	—	45	8.4	8.8	10.1	9.3	9.74
FH43B-51S-0.2SHW(10)	0580-2806-3-10	51	9.6	10	11.3	10.5	10.94
FH43B-61S-0.2SHW(10)	0580-2805-0-10	61	11.6	12	13.3	12.5	12.94
FH43B-71S-0.2SHW(10)	0580-2807-6-10	71	13.6	14	15.3	14.5	14.94
FH43B-81S-0.2SHW(10)	—	81	15.6	16	17.3	16.5	16.94

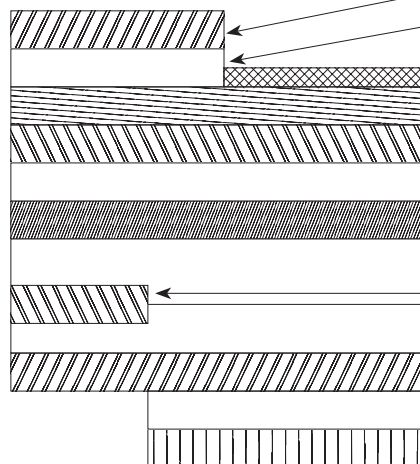
■FHB Series FPC

1. Using Single-sided FPC



Material Name	Material	Material Thickness (μm)
Covering film layer	Polyimide 1 mil thick.	(25)
Cover adhesive		(25)
Surface treatment	0.2 μm thick gold plated over 1 to 6 μm nickel underplating	4
Copper foil	Cu 1/3oz	12
Base adhesive	Thermosetting adhesive	10
Base film	Polyimide 1/2mil thick	15
Reinforcement material adhesive	Thermosetting adhesive	30
Stiffener	Polyimide 5 mil thick	125
Total		194

2. Using Double-sided FPC



Material Name	Material	Material Thickness (μm)
Covering film layer	Polyimide 1 mil thick.	(25)
Cover adhesive		(25)
Surface treatment	0.2 μm thick gold plated over 1 to 6 μm nickel underplating	4
Through-hole copper	Cu	12
Copper foil	Cu 1/3oz	12
Base adhesive	Thermosetting adhesive	—
Base film	Polyimide 1/2mil thick	13
Base adhesive	Thermosetting adhesive	—
Copper foil	Cu 1/3oz	(12)
Cover adhesive	Thermosetting adhesive	25
Covering film layer	Polyimide 1/2 mil thick	13
Reinforcement material adhesive	Thermosetting adhesive	25
Stiffener	Polyimide 4 mil thick	100
Total		204

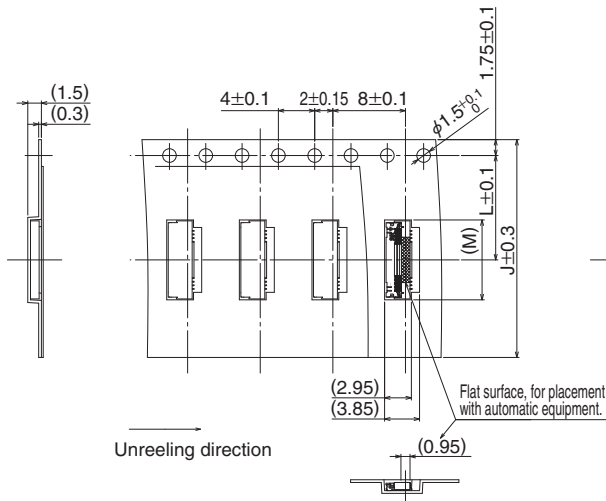
* To prevent release of the FPC due to its bending, use of the double sided FPC with copper foil on the back side is NOT RECOMMENDED.

3. Precautions

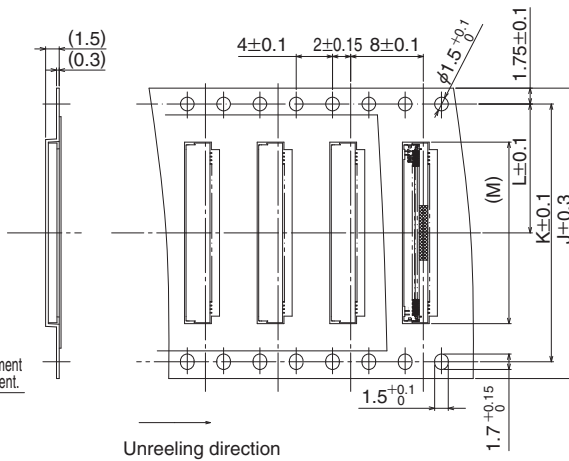
1. This specification is a recommendation for the construction of the FH43B Series FPC and FFC ($t=0.2 \pm 0.02$).
2. For details about the construction, please contact the FPC/FFC manufacturers.

■Packaging Specification

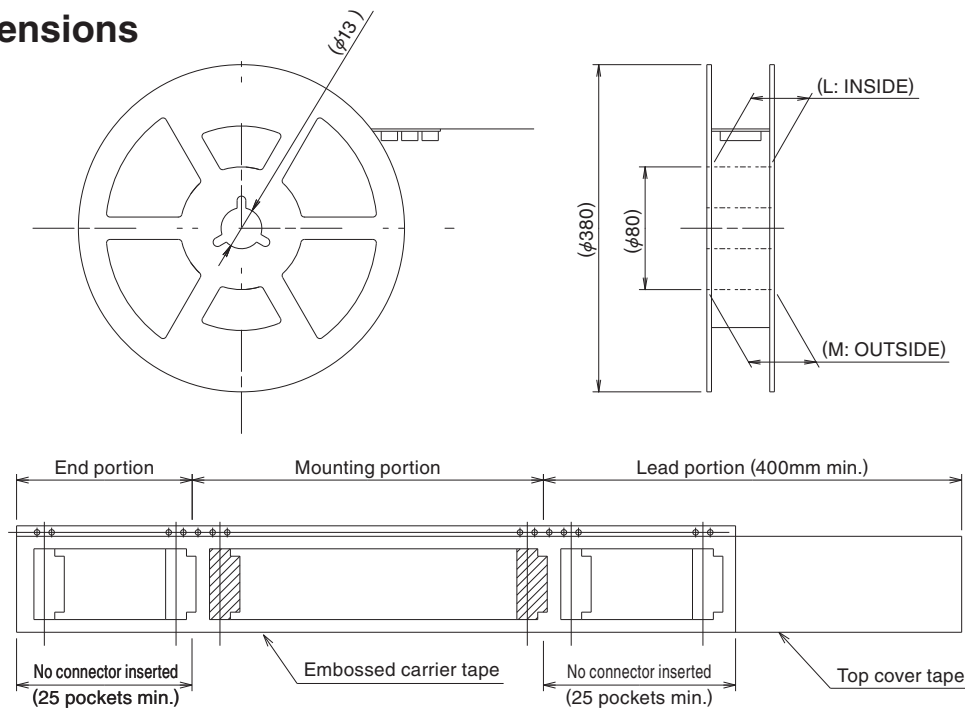
●Embossed Carrier Tape Dimensions (Tape width to 24mm max.)



●Embossed Carrier Tape Dimensions (Tape width to 32mm min.)



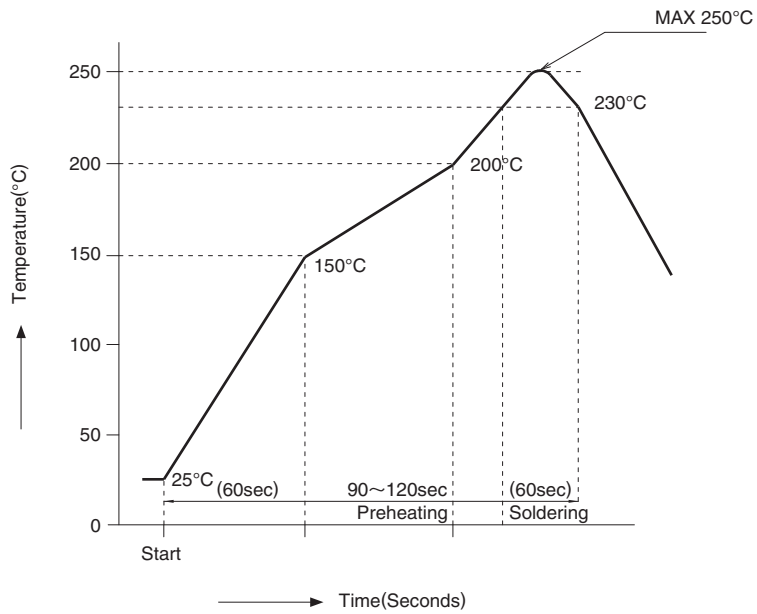
■Reel Dimensions



Unit : mm

Part Number	CL No.	Number of contacts	J	K	L	M	N	P
FH43B-21S-0.2SHW(10)	—	21	16	—	7.5	6	17.4	21.4
FH43B-25S-0.2SHW(10)	—	25	16	—	7.5	6.8	17.4	21.4
FH43B-31S-0.2SHW(10)	—	31	24	—	11.5	8	25.4	29.4
FH43B-35S-0.2SHW(10)	0580-2803-5-10	35	24	—	11.5	8.8	25.4	29.4
FH43B-41S-0.2SHW(10)	—	41	24	—	11.5	10	25.4	29.4
FH43B-45S-0.2SHW(10)	—	45	24	—	11.5	10.8	25.4	29.4
FH43B-51S-0.2SHW(10)	0580-2806-3-10	51	24	—	11.5	12	25.4	29.4
FH43B-61S-0.2SHW(10)	0580-2805-0-10	61	24	—	11.5	14	25.4	29.4
FH43B-71S-0.2SHW(10)	0580-2807-6-10	71	24	—	11.5	16	25.4	29.4
FH43B-81S-0.2SHW(10)	—	81	32	28.4	14.2	18	33.4	37.4

Temperature Profile



HRS test condition

Solder method : Reflow, IR/hot air

Environment : Room air

Solder composition : Paste, 96.5%Sn/3.0%Ag/0.5%Cu

(Senju Metal Industry, Co., Ltd.'s Part
Number:M705-221CM5-32-10.5)

Test board : Glass epoxy 100mm×72.5mm×0.8mm thick

Land dimensions : 0.2mm×0.65mm, 0.2mm×0.82mm

Metal mask : 0.18×0.55, 0.18×0.68×0.1mm thick

The temperature profiles shown are based on the above conditions.

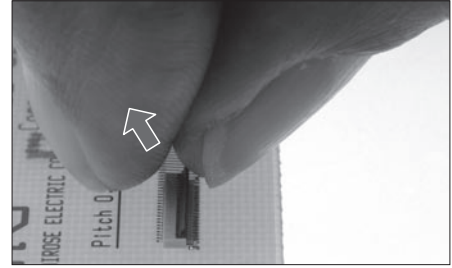
In individual applications the actual temperature may vary, depending on solder paste type, volume / thickness and board size / thickness. Consult your solder paste and equipment manufacturer for specific recommendations.

■ Operation and Precautions

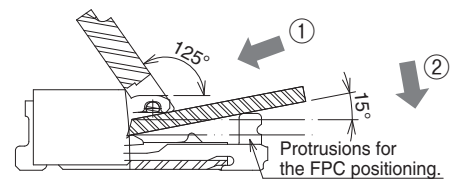
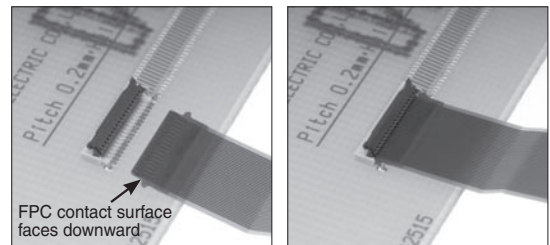
Operation

1. FPC insertion procedure. Connector installed on the board.

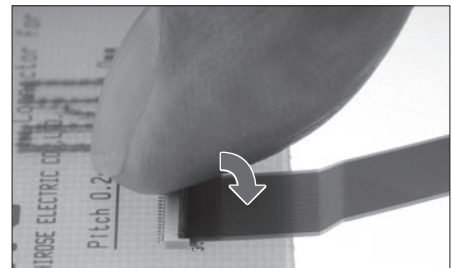
- ① Lift up the actuator.
Use thumb or index finger.



- ② Insert the FPC (contact surfaces facing down) at angle of approximately 10° to the board surface ①, making sure that the FPC positioning tabs clear the protrusions on both sides of the connector. Lower the FPC down ②, parallel to the board surface.

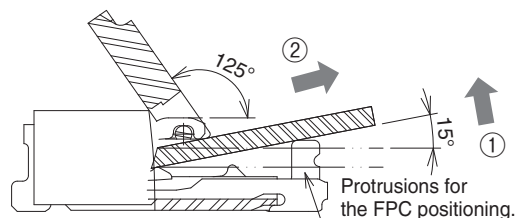
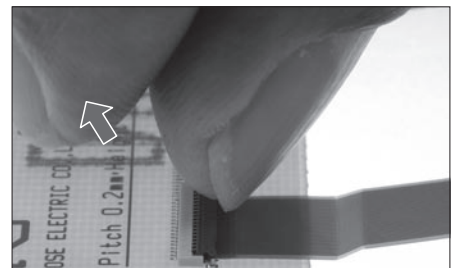


- ③ Rotate down the actuator until firmly closed.



2. FPC removal

- ① Lift up the actuator
Pull up the FPC at an angle of approximately 10° ① and then withdraw it from the connector ②.



Precautions

Exercise care when handling connectors. Follow recommendations given below.

[Precautions when mounting connectors on the PCB]

◆ **Handling before mounting on PCB**

Insertion of the FPC or operation of the actuator prior to mounting on the PCB is NOT RECOMMENDED.

◆ **PC board warpage**

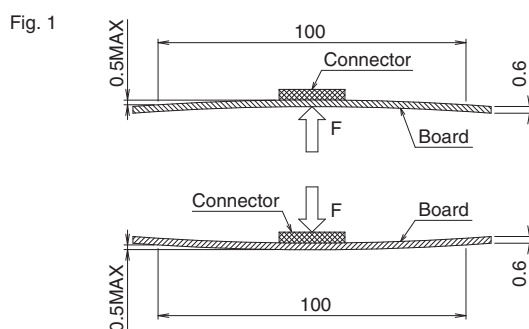
Minimize the warpage as much as possible. The connector is straight within 0.1 mm max. Make sure that the mounting area flatness can accept the connector terminals without causing any failure of the solder joints.

◆ **When braking the large PC board into individual boards exercise care NOT to damage the installed connectors.**

◆ **When attaching the boards or other components with the screws make sure that any stresses will NOT cause board deflections affecting the mounting areas of the connector.**

◆ **Bending of the board**

For a board width of 100 mm, bending of the board must be 0.5 mm max. (Ref to Fig. 1)

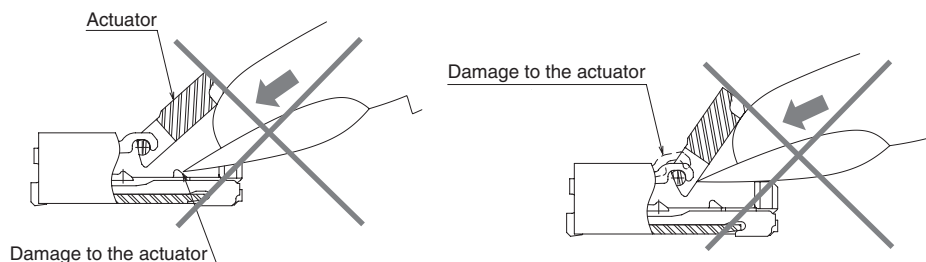


[Precautions during FPC insertion and mating]

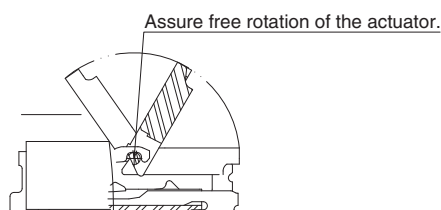
Pay attention to the following points when inserting FPC.

◆ **Actuator operation**

- ① Do not apply excessive force when opening the actuator prior to FPC insertion. When opening make sure that the force is applied only to the actuator itself, avoiding touching of the contacts.

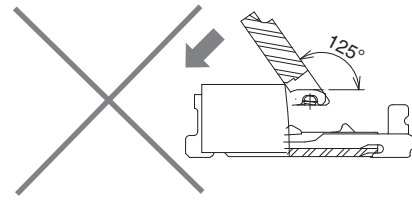


- ② **Axis of rotation**

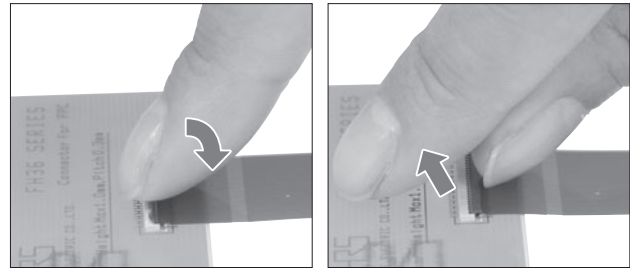


Precautions

- ③ The actuator will rotate 125°C Do not apply force to rotate further.



- ④ When opening or closing the actuator, do so at the center section.



- ⑤ Do not grasp or and lift the actuator (Fig. 3) nor insert the nail from the back of it (Fig. 4).

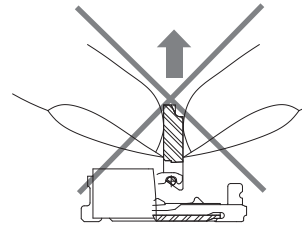


Fig. 3

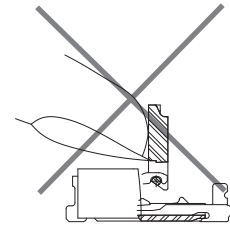
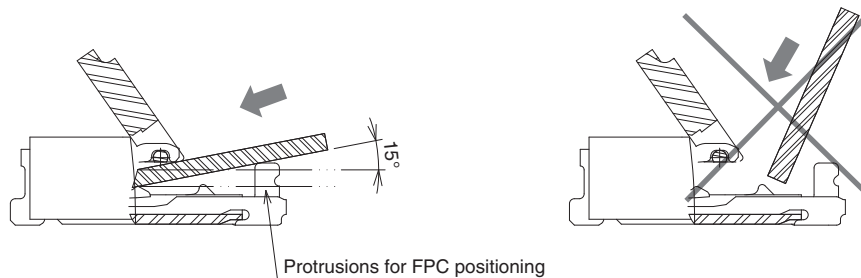


Fig. 4

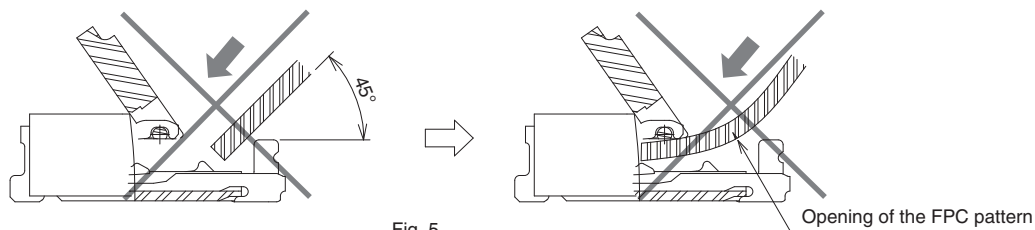
◆FPC insertion

Do not insert the FPC at any high angle from above.



Precautions

As illustrated (Fig. 5) angle insertion may cause electrical discontinuity when the FPC is deflected in use.



- To avert insertion of the FPC at an angle, consideration should be given to securing enough insertion space when designing the board lay-out. Insertion will be difficult when the FPC is too short.
- Contact FPC manufacturer for information about the bending specifications.

◆ Verification of the fully closed actuator

The FPC should be fully inserted, with its positioning tabs fully behind the protrusions on both sides of the connector's insertion slot (Fig. 6).

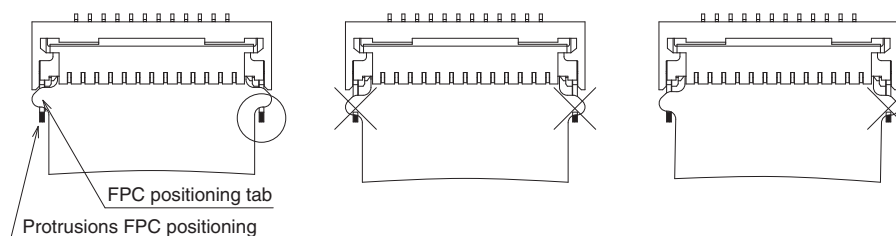


Fig. 6

[Routing of the FPC (FPC fully inserted / actuator closed)]

◆ Do not apply any pull or upward-directed force to the FPC.

Do not make any sharp bends of FPC close to the immediate exit from the connector (Fig. 7)

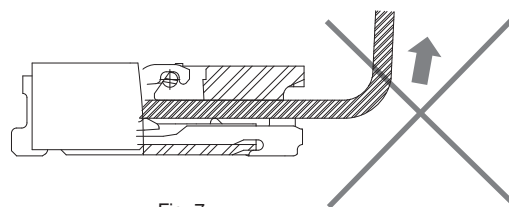


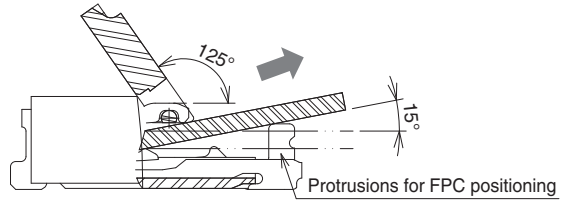
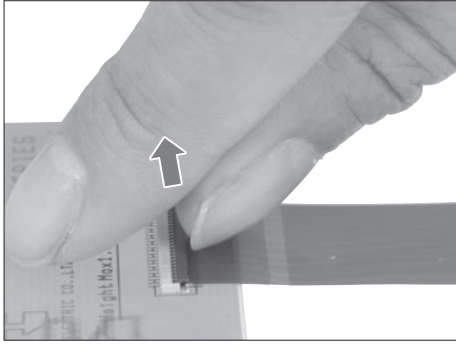
Fig. 7

Precautions

[Removing of the FPC]

◆ Rotate the actuator to the fully open position (max. angle of 125°C)

Lift the FPC approximately 10°C (making sure that the positioning tabs clear the protrusions on both sides) and carefully withdraw it from the connector.



[Other Precautions]

◆ Hand Soldering Precautions

When hand soldering:

- ① Do not perform reflow or hand soldering with the FPC inserted in the connector.
- ② Do not apply excessive heat or touch the soldering iron anywhere other than the connector leads.
- ③ Do not use excessive amount of solder or flux compounds.

Operation of the actuator or contacts may be affected by excessive amounts of solder or flux compounds.



HIROSE ELECTRIC CO.,LTD.

5-23,OSAKI 5-CHOME,SHINAGAWA-KU,TOKYO 141-8587,JAPAN
PHONE: 81-3-3491-5300, FAX: 81-3-3495-5230
<http://www.hirose.com>
<http://www.hirose-connectors.com>