

TGM-04-0004

Module Amplifier

0.5 GHz - 4 GHz

This Module Amplifier offers exceptional performance over the band 0.5 GHz to 4 GHz with 15.0 dBm P1dB output power and 22.0 dB Gain.

Teledyne Microwave amplifiers are balanced or feedback designs and manufactured with the latest MIC & MMIC technology. The GaAs FET's used in these amplifiers are well established proven devices from multiple sources.

Teledyne Microwave offers a complete line of Narrow and broadband Amplifiers covering the frequency range 500 MHz to 40 GHz. These products are available in either connectorized packages or as modules. For a complete list of these products and more, please visit our website.

Other products from Teledyne Microwave include: Transceivers, Synthesizers, and YIG Products



Specifications:

Model Number: TGM-04-0004
Frequency Range: 0.5 GHz – 4 GHz
Gain (min): 22.0 dB
Gain Vs Temp Coefficient per 1 deg C: -0.014 dB
Noise Figure (max): 2.8 dB
Output Power @ 1dB Compression: 15.0 dBm
Gain Flatness Vs Frequency: +/-0.6 dB
3rd Order Intercept (Typ): Contact Factory
Power Supply:
 Input Voltage: 11.5 to 15 VDC
 Current @ 12 VDC (typ): 180 mA
 Current @ 12 VDC (max): Contact Factory
Case Type (See attached Outline): 1006NP
Temperature Range: +25C



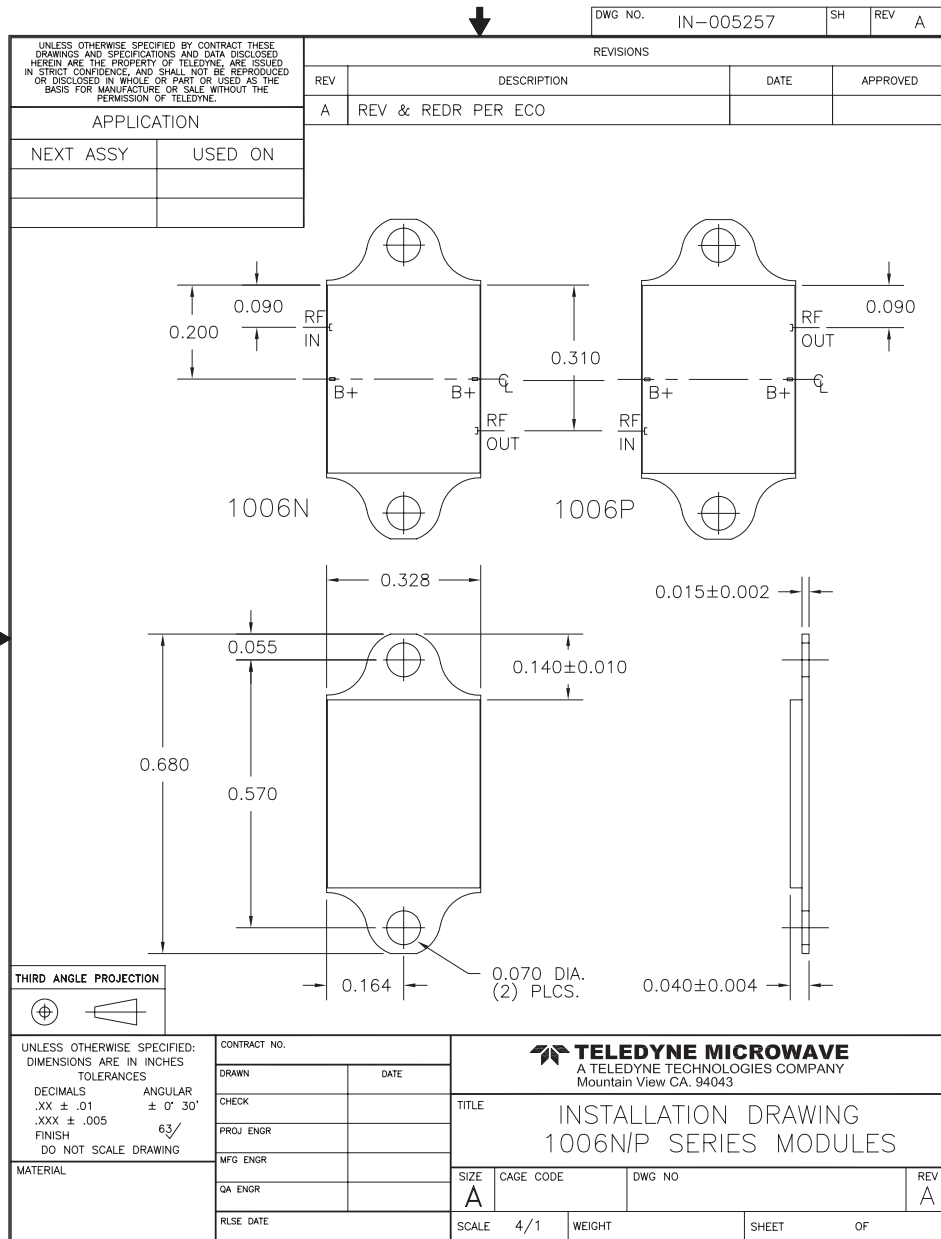
ISO 9001:2000

1274 Terra Bella Avenue, Mountain View, CA 94043 • PHN# 800.832.6869 or +1.650.962.6944 • FAX# 650.962.6845
www.teledynemicrowave.com • microwave@teledyne.com

TGM-04-0004

Module Amplifier

0.5 GHz - 4 GHz



THIRD ANGLE PROJECTION

UNLESS OTHERWISE SPECIFIED:
DIMENSIONS ARE IN INCHES
TOLERANCES

DECIMALS	ANGULAR
.XX ± .01	± 0° 30'
.XXX ± .005	63/
FINISH DO NOT SCALE DRAWING	

CONTRACT NO.	
DRAWN	DATE
CHECK	
PROJ ENGR	
MFG ENGR	
QA ENGR	
RLSE DATE	

TELEDYNE MICROWAVE
A TELEDYNE TECHNOLOGIES COMPANY
Mountain View CA. 94043

TITLE
INSTALLATION DRAWING
1006N/P SERIES MODULES

SIZE A	CAGE CODE	DWG NO	REV A
SCALE 4/1	WEIGHT	SHEET	OF



ISO 9001:2000

1274 Terra Bella Avenue, Mountain View, CA 94043 • PHN# 800.832.6869 or +1.650.962.6944 • FAX# 650.962.6845
www.teledynemicrowave.com • microwave@teledyne.com