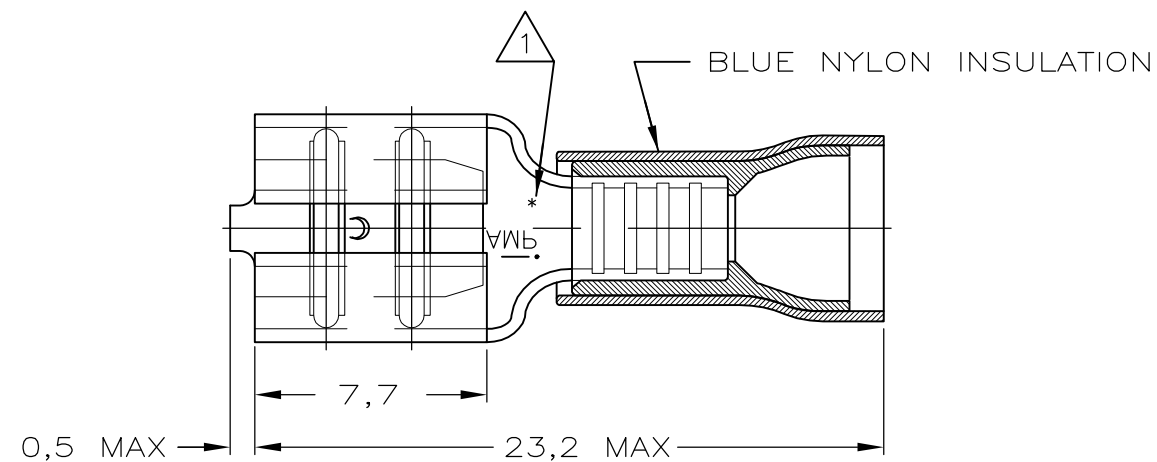
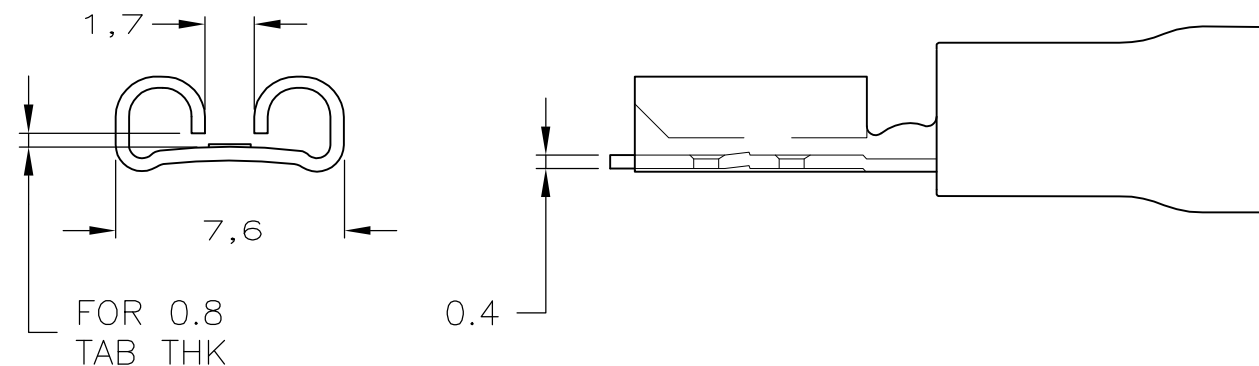


LOC	DIST	REVISIONS					
G	86	P	LTR	DESCRIPTION	DATE	DWN	APVD
			H2	REV PER ECR 08-028310	10NOV08	JR	TM



NOTES

- 1 ASTERISK * FOR PH.BRONZE VERSIONS ONLY.
- 2 WIRE RANGE: 1,0-2,6mm². INSUL. RANGE: 4,3mm MAX. DIA..
- 3 OBSOLETE WITHOUT REPLACEMENT



TAPE MOUNTED	1	GOLDPLATED	PH.BRONZE	5-160313-7	3
	1	SILVERPLATED	PH.BRONZE	5-160313-6	3
	1	TINPLATED	PH.BRONZE	5-160313-5	
LOOSE PIECE		GOLDPLATED	BRASS	5-160313-4	3
		SILVERPLATED	BRASS	5-160313-3	3
		TINPLATED	BRASS	5-160313-2	
	1	TIN-LEAD	PH.BRONZE	9-160313-8	3
	1	GOLDPLATED	PH.BRONZE	9-160313-7	3
	1	SILVERPLATED	PH.BRONZE	9-160313-6	
PACKAGE TYPE		GOLDPLATED	BRASS	9-160313-4	3
		SILVERPLATED	BRASS	9-160313-3	3
		TINPLATED	BRASS	9-160313-2	
PACKAGE TYPE		FINISH	MATERIAL	PARTNUMBER	

THIS DRAWING IS A CONTROLLED DOCUMENT.		DWN	JR RUTH	08OCT04	Tyco Electronics Corporation Harrisburg, Pa 17105-3608
DIMENSIONS: mm		CHK	T MICHIELUTTI	08OCT04	
		APVD	T MICHIELUTTI	08OCT04	
TOLERANCES UNLESS OTHERWISE SPECIFIED:		PRODUCT SPEC		NAME	
0 PLC ± -		-		.250 SRS P.I.D.G.	
1 PLC ± -		-		FASTON REC.	
2 PLC ± 0.38		APPLICATION SPEC		-	
3 PLC ± -		-		SIZE	A3
4 PLC ± -		WEIGHT		CAGE CODE	00779
ANGLES ± -		-		DRAWING NO	C=160313
FINISH		-		RESTRICTED TO	-
MATERIAL		-		CUSTOMER DRAWING	
-		-		SCALE	-
-		-		SHEET	1 OF 1
-		-		REV	H2