

ISDN MAGNETICS

UPO Interface Transformer

TM9942

- Minimum interwinding breakdown voltage of 1500 Vrms

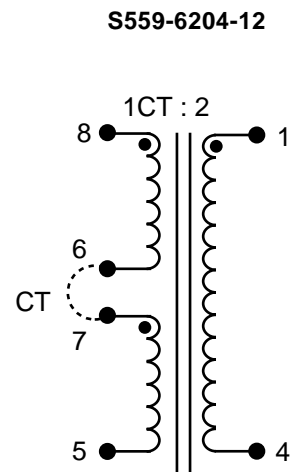
ELECTRICAL SPECIFICATIONS at 25° C

Part Number	Turns Ratio ± 2%	Primary Inductance* mH min	Leakage Inductance μH max	DCR Ω max		Interwinding Capacitance pF max
				Pri	Sec	
S559-6204-12	1CT : 2	1.70	11	2.8	6.8	60

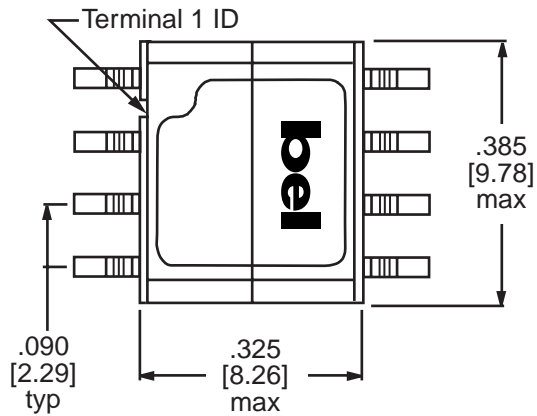
* Measured at 10 kHz, 0.1 Vac

Compatible Transceiver ICs	
IC Mfr	IC Part Number
Siemens	PEB2096

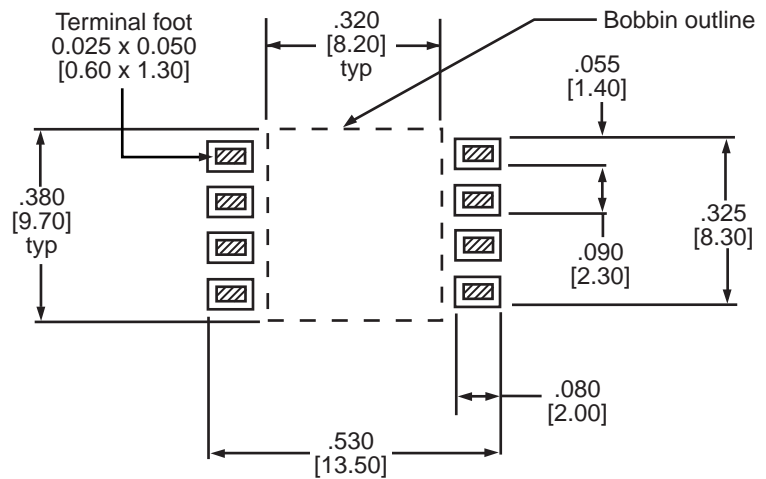
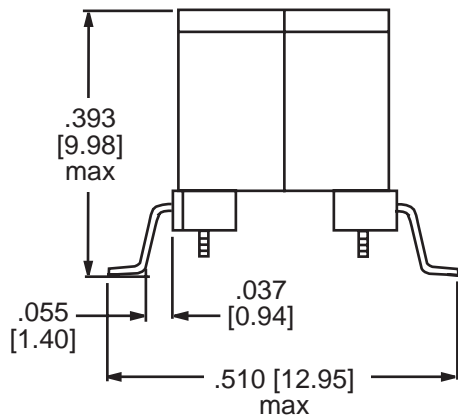
SCHEMATIC



MECHANICAL



S559-6204-12



Note: Unless otherwise specified, dimensions are nominal and in inches [millimeters].

Suggested PCB Pad Layout

CORPORATE

Bel Fuse Inc.
198 Van Vorst Street
Jersey City, NJ 07302
Tel 201-432-0463
Fax 201-432-9542
www.belfuse.com

T337

FAR EAST

Bel Fuse Ltd.
8F / 8 Luk Hop Street
San Po Kong
Kowloon, Hong Kong
Tel 852-2328-5515
Fax 852-2352-3706
www.belfuse.com

EUROPE

Bel Fuse Europe Ltd.
Preston Technology Management Centre
Marsh Lane, Suite F23, Preston
Lancashire, PR1 8UD, U.K.
Tel 44-1772-556601
Fax 44-1772-888366
www.belfuse.com