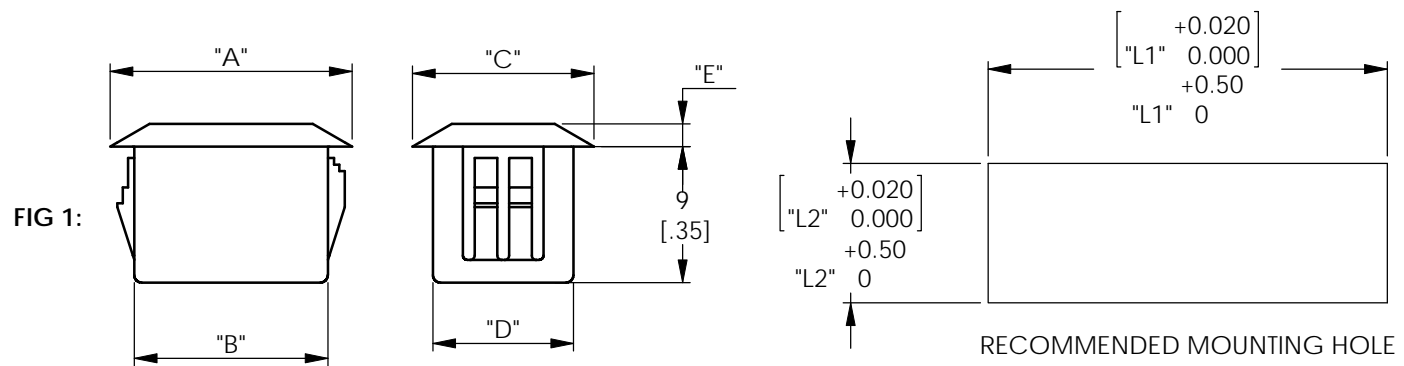
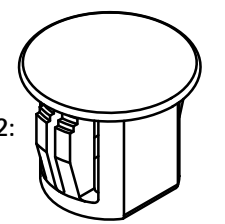
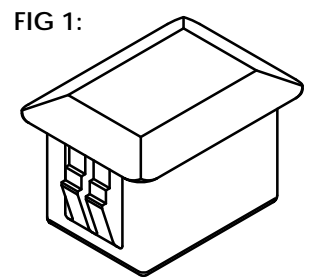
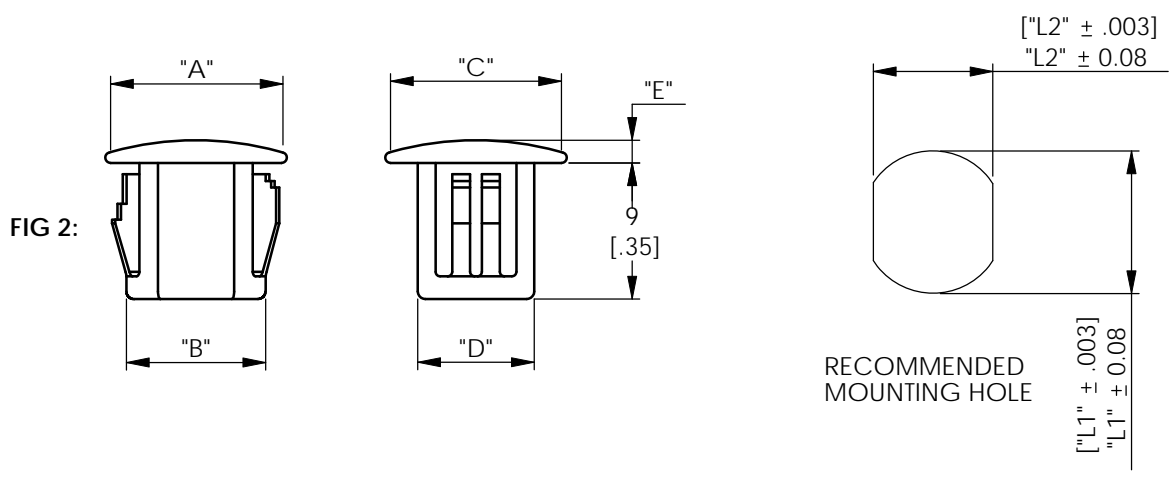


PART No.	"A"	"B"	"C"	"D"	"E"	"L1"	"L2"	PANEL THICKNESS	FIG
BPE-SC-1-01	21.5 +0.6 -0 [.85 +.024 -0]	12.8 [.50]	12 [.47]	9.3 [.37]	1.5 [.059]	13 [.512]	9.5 [.374]	1.4 - 3.5 [.550 - .138]	1
BPE-SC-2-01	16 [.63]					26 [1.024]			
BPE-SC-3-01	34.7 [1.37]	25.8 [1.02]	22 [.87]	19.1 [.75]	19.3-20 [.760-.787]	14.9-15 [.587-.591]	0.75[.030], 1.2[.050], 1.6[.060], 2.7 [.110], 3.5 [.140]		
BPE-RJ45-01	17.7 [.70]	14.7 [.58]	15 [.59]	13.2 [.52]	2 [.078]	13.5 [.532]	0.75[.030], 1.2[.050], 1.6[.060], 2.7 [.110], 3.75 [.148]		
BPE-LC-D-01	15 [.59]	13.2 [.52]	15 [.59]	13.2 [.52]	2 [.078]	13.5 [.532]	13.5 [.532]	0.75[.030], 1.2[.050], 1.6[.060], 2.7 [.110], 3.75 [.148]	
BPE-ST-1-01	Ø12 [.47]	Ø9.2 [.36]	Ø12 [.47]	7.7 [.30]	1.5 [.059]	Ø9.4 [.370]	7.9 [.311]	1.4 - 3.5 [.055 - .138]	2

REV.	MODIFICATION.	DATE	DRN
01	C0-2010730	15/07/09	OW
02	C0-2010780	25/08/09	OW
03	C0-2010881	05/02/10	OW



- NOTES:
1) ALTERNATE UNITS FOR REFERENCE ONLY
2) PARTS AVAILABLE IN GREY AND WHITE BY SPECIAL ORDER ADD GY AND WH TO END OF PART NUMBER
3) PARTS AVAILABLE IN NYLON 6/6 FR UL94 V-0 BY SPECIAL ORDER, REPLACE -01 WITH -19 AT END OF PART NUMBER



INFORMATION CONTAINED IN THIS DOCUMENT IS CONFIDENTIAL TO RICHCO INTERNATIONAL Co. Ltd. AND MAY NOT BE DISCLOSED OR REPRODUCED IN WHOLE OR PART WITHOUT THEIR WRITTEN CONSENT.

RICHCO, INC. WWW.RICHCO-INC.COM		ALL DIMENSIONS IN mm GENERAL TOLERANCES ±0.25 UNLESS OTHERWISE STATED 1 DECIMAL PLACE ± 2 DECIMAL PLACES ± ANGULAR ±1°	THIRD ANGLE
MATERIAL: NYLON 6/6 UL94 V-2 (RMS-01)		COLOUR: BLACK	
DESCRIPTION: BLANKING PLUGS		PART No: SEE TABLE	
DRG No: 09-071	NPR No: N/A	SHEET SIZE A4	
DRN OW	DATE 15/07/09	CHKD TC	DATE 15/07/09
SCALE NTS	SHEET No. 1 OF 1		