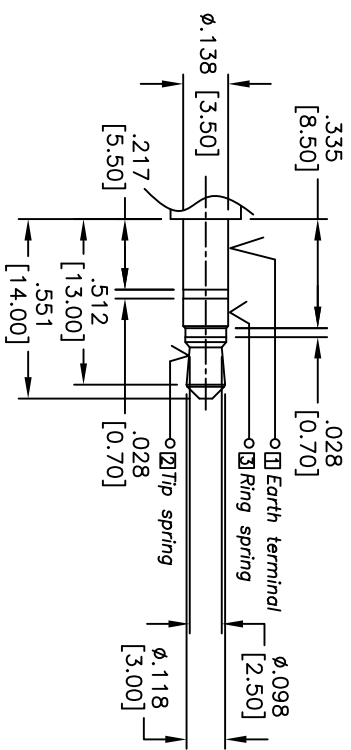
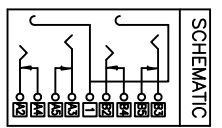
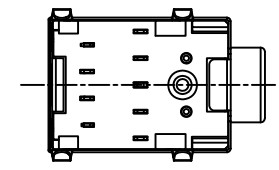
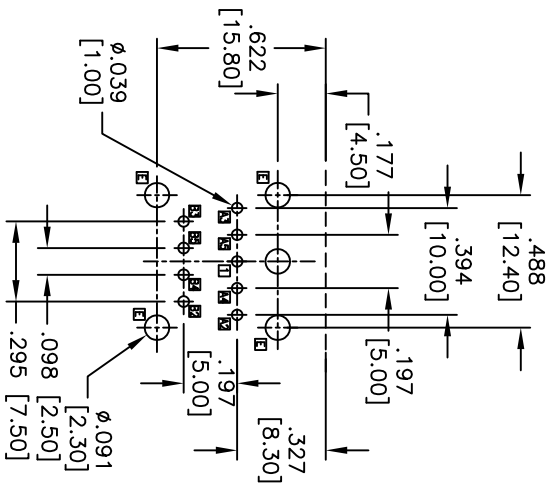
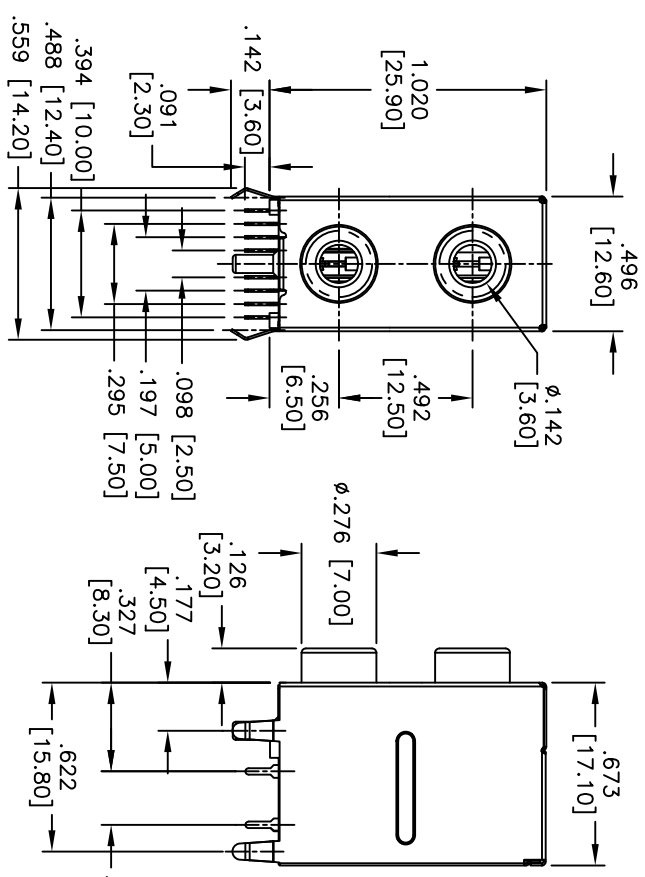


| Rev | AWO # | Description | Date | Appr |
|-----|-------|-------------|---------|------|
| - | 11026 | RELEASED | 1/14/11 | |

APPROVED: _____
 DATE: _____ TITLE: _____



MATCHING PLUG

SPECIFICATIONS:
Material: Insulator: PBT, glass reinforced, rated UL 94V-0
 Insulator color: Black
 Contacts: Copper Alloy
 Plating: Gold flash over Nickel underplate overall
Electrical: Rating: DC 30V, 0.5A
 Contact resistance: 30 Mohms max
 Dielectric withstanding voltage: 500 VAC for 1 minute
Environmental: Temperature Rating: Operating temperature: -25°C to +80°C
 Lead free, RoHS compliant
 Recommended soldering temp. 235°C for 5 seconds.

ADAM TECH
 909 Rahway Avenue, Union, NJ 07083
 Phone: 908-687-5000 Fax: 908-687-5710

TITLE: 3.5 DUAL STEREO JACK

| | |
|---|-------------|
| UNLESS OTHERWISE SPECIFIED ALL DIMENSIONS ARE INCHES [MM] TOLERANCES: EXCEPT AS NOTED | |
| INCHES | HOLES |
| .X ± .10 | ØX ± .10 |
| .XX ± .020 | ØXX ± .015 |
| .XXX ± .015 | ØXXX ± .010 |
| APPROVALS | DATE |
| DRAWN | DY |
| CHECKED | |
| APPROVED | |
| | 1/14/11 |

| | | |
|--------------|--------------|--------------|
| SIZE | PART NO. | REV. |
| X | ASJ-DP-02-5A | - |
| REF: S00002C | SCALE: NTS | SHEET 1 OF 1 |

