

# Toroidal Inductors Medium Current CTP4411

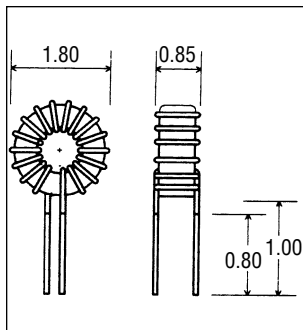
CTP4411 is a medium current inductor with the following data and features:

- **Core type:** 1.57" o.d., Iron Powder, perm 75.
  - **Power rating:** 4.50 watts for temp. rise 50°C.
  - **Typical applications:** Input and output filters in Switch Mode Power Supplies.
- Three mounting styles are offered:**
- 1 Flying leads (1.00"), for vertical or horizontal mounting.
  - 2 4-pin header, for vertical mounting.
  - 3 Threaded center hole, flying leads (2.00").

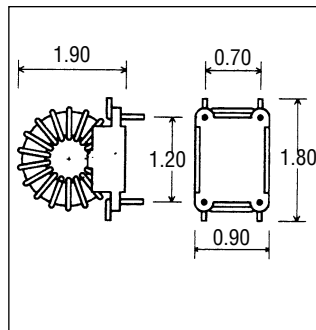


## MECHANICAL

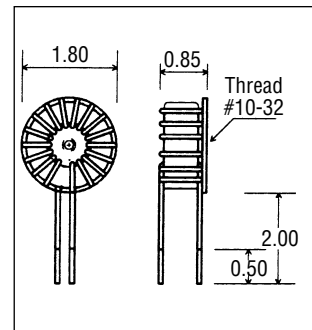
**Style 1**



**Style 2**



**Style 3**



## ELECTRICAL SPECIFICATION

**Ordering Information:** Substitute the style number for the asterisk (\*). Example: CTP4411, Style 1, 56uH. Order: CTP4411 - 116

| Part No.<br>CTP4411 - | Ind.<br>(uH) | DCR<br>Ohms | Rated<br>Current<br>Amp. RMS | I (amp.)<br>@ Lsat.<br>10% | I (amp.)<br>@ Lsat.<br>25% | I (amp.)<br>@ Lsat.<br>50% | Part No.<br>CTP4411 - | Ind.<br>(uH) | DCR<br>Ohms | Rated<br>Current<br>Amp. RMS | I (amp.)<br>@ Lsat.<br>10% | I (amp.)<br>@ Lsat.<br>25% | I (amp.)<br>@ Lsat.<br>50% |
|-----------------------|--------------|-------------|------------------------------|----------------------------|----------------------------|----------------------------|-----------------------|--------------|-------------|------------------------------|----------------------------|----------------------------|----------------------------|
| * 01                  | 3.3          | 0.003       | 39.7                         | 17.9                       | 35.8                       | 71.7                       | * 17                  | 68           | 0.025       | 13.4                         | 3.9                        | 7.9                        | 15.8                       |
| * 02                  | 3.9          | 0.004       | 34.0                         | 16.5                       | 33.0                       | 65.9                       | * 18                  | 82           | 0.027       | 12.8                         | 3.6                        | 7.2                        | 14.4                       |
| * 03                  | 4.7          | 0.004       | 32.5                         | 15.0                       | 30.0                       | 60.0                       | * 19                  | 100          | 0.030       | 12.2                         | 3.3                        | 6.5                        | 13.0                       |
| * 04                  | 5.6          | 0.005       | 31.1                         | 13.8                       | 27.5                       | 55.0                       | * 20                  | 120          | 0.033       | 11.6                         | 3.0                        | 5.9                        | 11.9                       |
| * 05                  | 6.8          | 0.006       | 26.5                         | 12.5                       | 25.0                       | 49.9                       | * 21                  | 150          | 0.037       | 11.0                         | 2.7                        | 5.3                        | 10.6                       |
| * 06                  | 8.2          | 0.007       | 25.3                         | 11.4                       | 22.7                       | 45.9                       | * 22                  | 180          | 0.041       | 10.5                         | 2.4                        | 4.9                        | 9.7                        |
| * 07                  | 10           | 0.008       | 24.1                         | 10.3                       | 20.6                       | 41.2                       | * 23                  | 220          | 0.045       | 10.0                         | 2.2                        | 4.4                        | 8.8                        |
| * 08                  | 12           | 0.008       | 23.1                         | 9.4                        | 18.8                       | 37.6                       | * 24                  | 270          | 0.050       | 9.5                          | 2.0                        | 4.0                        | 7.9                        |
| * 09                  | 15           | 0.012       | 19.4                         | 8.4                        | 16.8                       | 33.6                       | * 25                  | 330          | 0.055       | 9.1                          | 1.8                        | 3.6                        | 7.2                        |
| * 10                  | 18           | 0.013       | 18.6                         | 7.7                        | 15.3                       | 30.7                       | * 26                  | 390          | 0.175       | 7.7                          | 1.6                        | 3.3                        | 6.6                        |
| * 11                  | 22           | 0.014       | 17.7                         | 6.9                        | 13.9                       | 27.8                       | * 27                  | 470          | 0.104       | 6.6                          | 1.5                        | 3.0                        | 6.0                        |
| * 12                  | 27           | 0.016       | 16.8                         | 6.3                        | 12.5                       | 25.1                       | * 28                  | 560          | 0.113       | 6.3                          | 1.4                        | 2.8                        | 5.5                        |
| * 13                  | 33           | 0.018       | 16.0                         | 5.7                        | 11.3                       | 22.7                       |                       |              |             |                              |                            |                            |                            |
| * 14                  | 39           | 0.019       | 15.4                         | 5.2                        | 10.4                       | 20.8                       |                       |              |             |                              |                            |                            |                            |
| * 15                  | 47           | 0.021       | 14.7                         | 4.7                        | 9.5                        | 19.0                       |                       |              |             |                              |                            |                            |                            |
| * 16                  | 56           | 0.023       | 14.1                         | 4.3                        | 8.7                        | 17.4                       |                       |              |             |                              |                            |                            |                            |

CTP4411