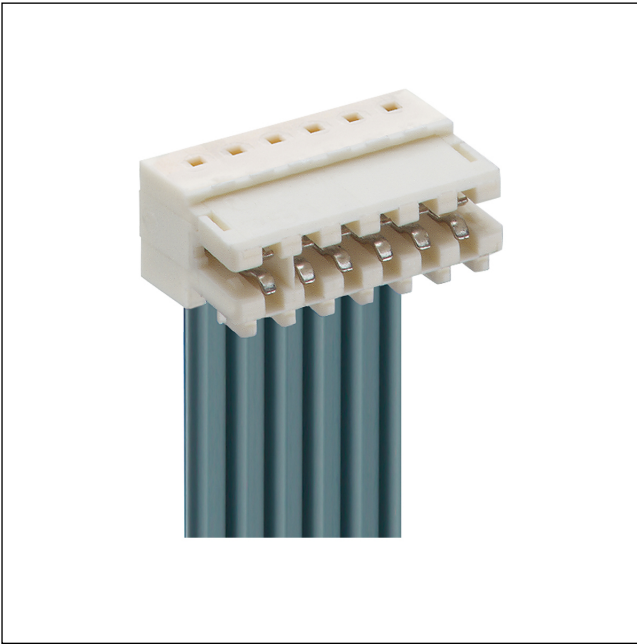



35

3517-2

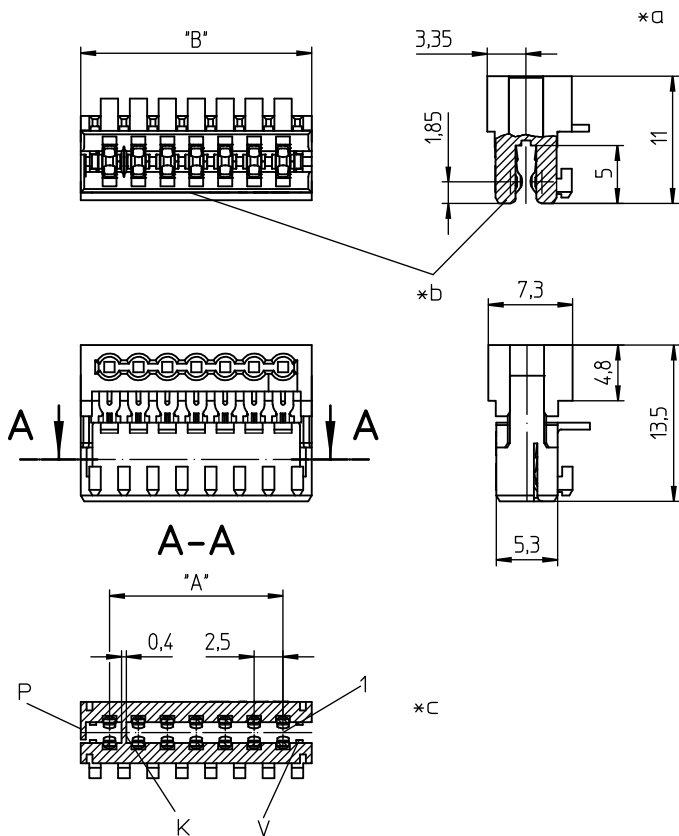
RAST 2.5 connectors, pitch 2.5/5.0 mm



RAST 2.5 connector for direct mating, insulation displacement technology (IDT), with locking on printed circuit board by means of locking toes, alternatively with or without keying rib and closed sides, for ribbon cable contact pitch 2.5 mm

Approvals: 

35 3517-2



Environmental conditions

Temperature range -40 °C/+130 °C¹

¹ upper limit temperature (insulating body) RTI (electrical) of the UL Yellow Card


Materials

Insulating body PBT, V-0 according to UL94 – 3517-2 (S...V...)
PA, V-2 according to UL94 – 3517-2 M12(S...V...)¹

Contact spring CuSn, tin-plated – 3517-2 (M...S...)
CuSn, tin-plated (Sn/Ag), 2-9 poles – 3517-2 (M...S...)/V03
CuSn, pre-nickel and gold-plated – 3517-2 (M...S...)/V102

¹ M12: component glow wire resistant (GWT 750 °C), testing acc. to IEC 60695-2-11, assessment acc. to IEC 60335-1 (flame < 2 s)


Mechanical data

Mating with printed circuit board 1.5 ± 0.14 mm
Insertion force/contact ≤ 4,0 N¹
Withdrawal force/contact ≥ 0,5 N¹
Retaining force/locking ≥ 6,0 N²
Keying proposals at www.lumberg.com 

¹ measured with a polished steel pin, nominal thickness 1.5 mm

² measured with a polished steel gauge, nominal thickness 1.5 mm

Connectable conductors for IDT area

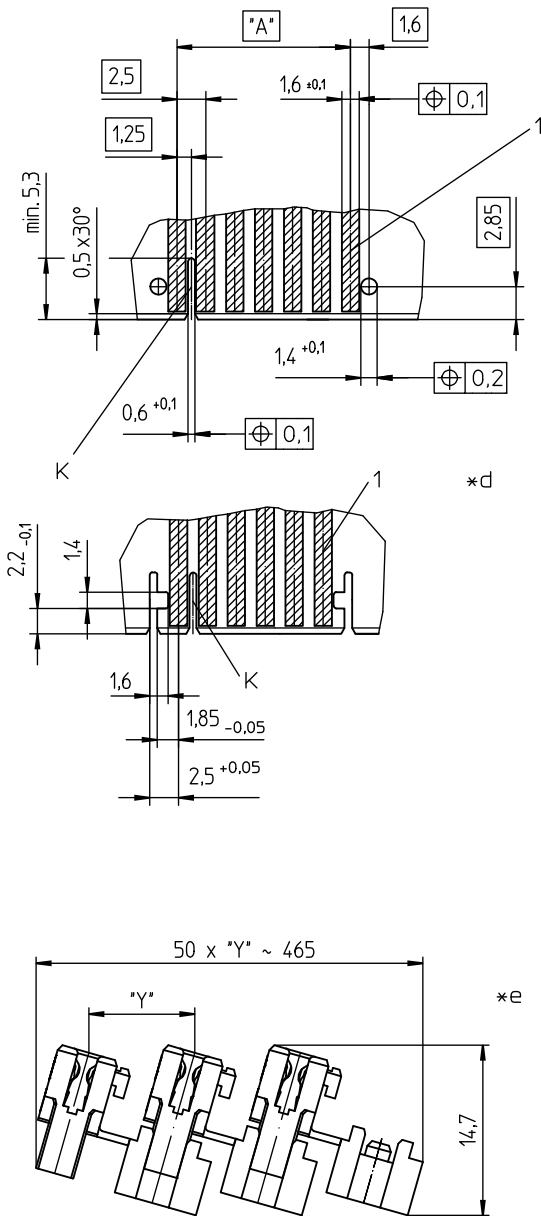
Construction discrete conductor, flat cable 2.5 mm
Section min. 0,14 mm²
Section max. 0,38 mm²
Insulation diameter ≤ 1,6 mm
Approved cables at www.lumberg.com 

Electrical data (at T_{amb} 20 °C)

Contact resistance ≤ 5 mΩ
Rated current 4 A (T_{sub}U</sub> < 60 °C)
2 A (T_{sub}U</sub> < 100 °C)
Rated voltage 32 V AC
Material group IIIa (IEC)/2 (UL) (CTI ≥ 250)
Creepage distance 0,6 mm
Clearance 0,6 mm
Insulation resistance > 1 GΩ

35

3517-2



Associated products

Harnessing equipment

☑ HA3...e	☑ HA35-CA	☑ HA35e
☑ HA35e-CA	☑ HA35e-RK	☑ HA35f
☑ HA35f-CA	☑ HA35f-CA-KC	☑ HA35f-CA-KC-KT
☑ HA35f-CA-KC-KT-HV	☑ HA35f-HV	☑ HA35f-KC
☑ HA35f-KC-KT	☑ HA35f-RK	☑ HA35f-RK-CA
☑ HA35f-RK-CA-KC	☑ HA35f-RK-CA-KC-KT	☑ HA35f-RK-CA-KC-KT-HV
☑ HZ-M35	☑ HZ35	☑ HZ35-K
☑ KHP35	☑ VARICON 7000	☑ VARICON 7000-RD

- *a terminated connector
- *b color marking:
3517-2 (M...)S01 blue
3517-2 (M...)S02 green
3517-2 (M...)S03 brown
- *c K = keying (alternatively)
P1, P2 = positioning (alternatively)
V = lock
- *d examples for printed circuit board layouts
- *e chaining of the component parts (state of delivery)

Designation	Pole Number	PU (Pieces)	MDQ (Pieces)	Dimensions	
				A (mm)	B (mm)
3517-2 02	2	4950	4950	2.5	7.4
3517-2 03	3	3600	3600	5.0	9.9
3517-2 04	4	2700	5400	7.5	12.4
3517-2 05	5	2250	2250	10.0	14.9
3517-2 06	6	1800	3600	12.5	17.4
3517-2 07	7	1800	3600	15.0	19.9
3517-2 08	8	1350	2700	17.5	22.4
3517-2 09	9	1350	2700	20.0	24.9
3517-2 10	10	1350	2700	22.5	27.4
3517-2 11	11	900	2700	25.0	29.9
3517-2 12	12	900	2700	27.5	32.4
3517-2 13	13	900	2700	30.0	34.9
3517-2 14	14	900	2700	32.5	37.4
3517-2 15	15	900	2700	35.0	39.9
3517-2 16	16	450	2700	37.5	42.4
3517-2 17	17	450	2700	40.0	44.9
3517-2 18	18	450	2700	42.5	47.4
3517-2 19	19	450	2700	45.0	49.9
3517-2 20	20	450	2700	47.5	52.4

Designation to be completed by further details (e.g. for keying, color or material options).

Packaging:

chained, in a cardboard box