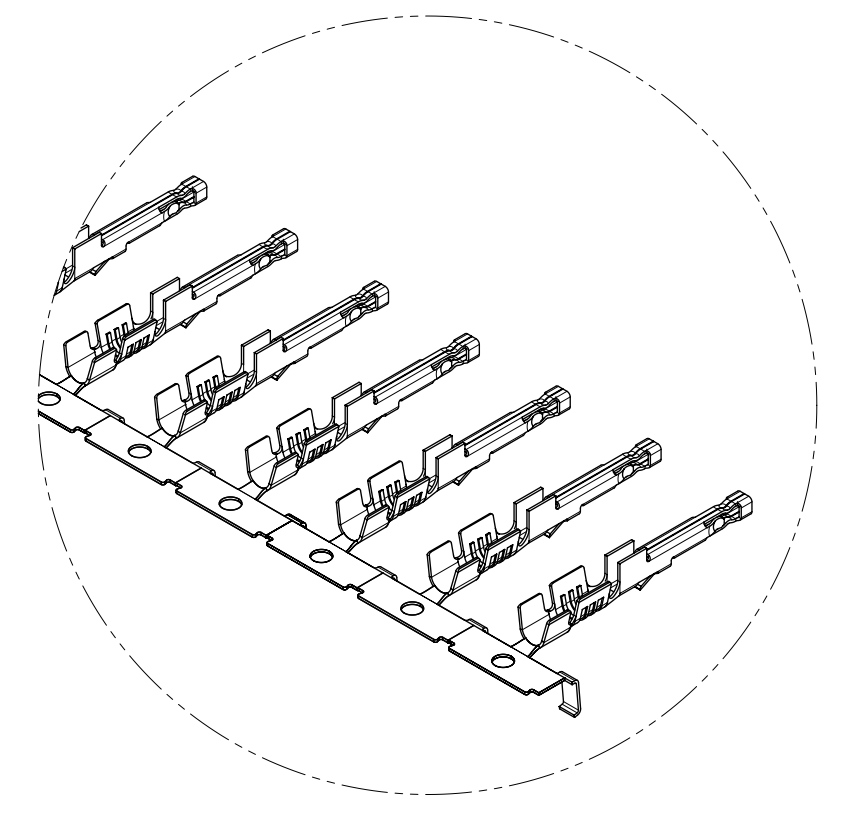
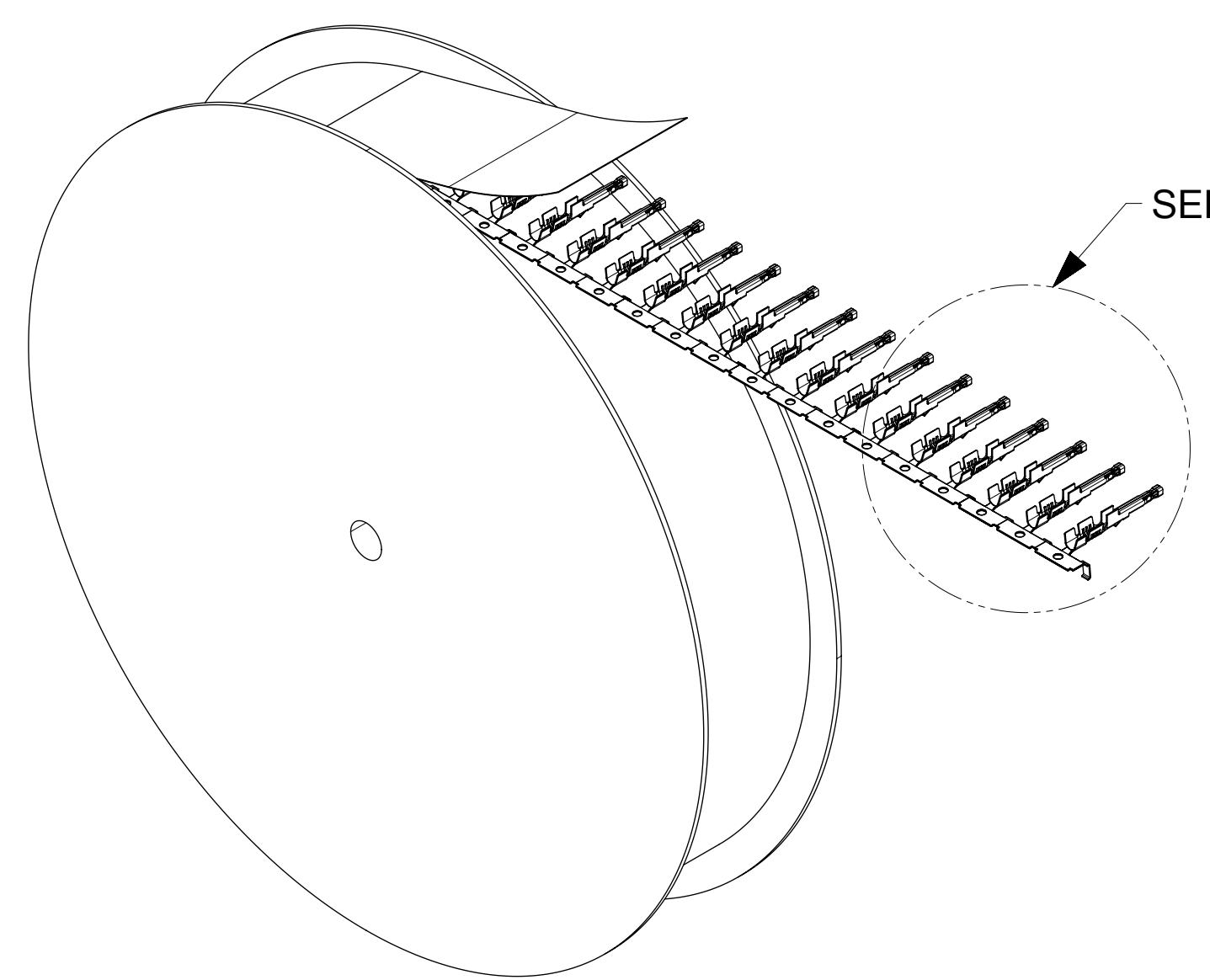
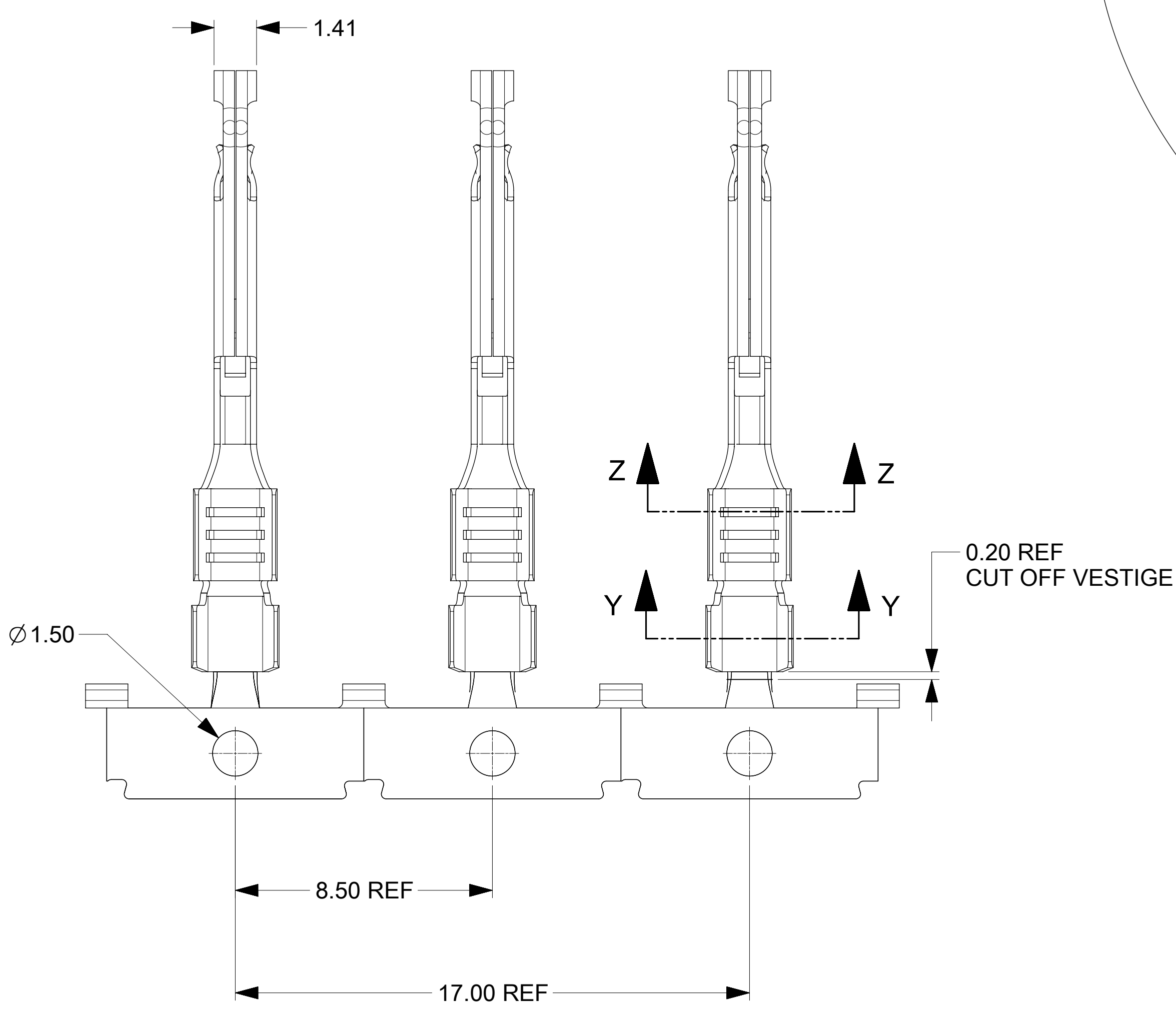
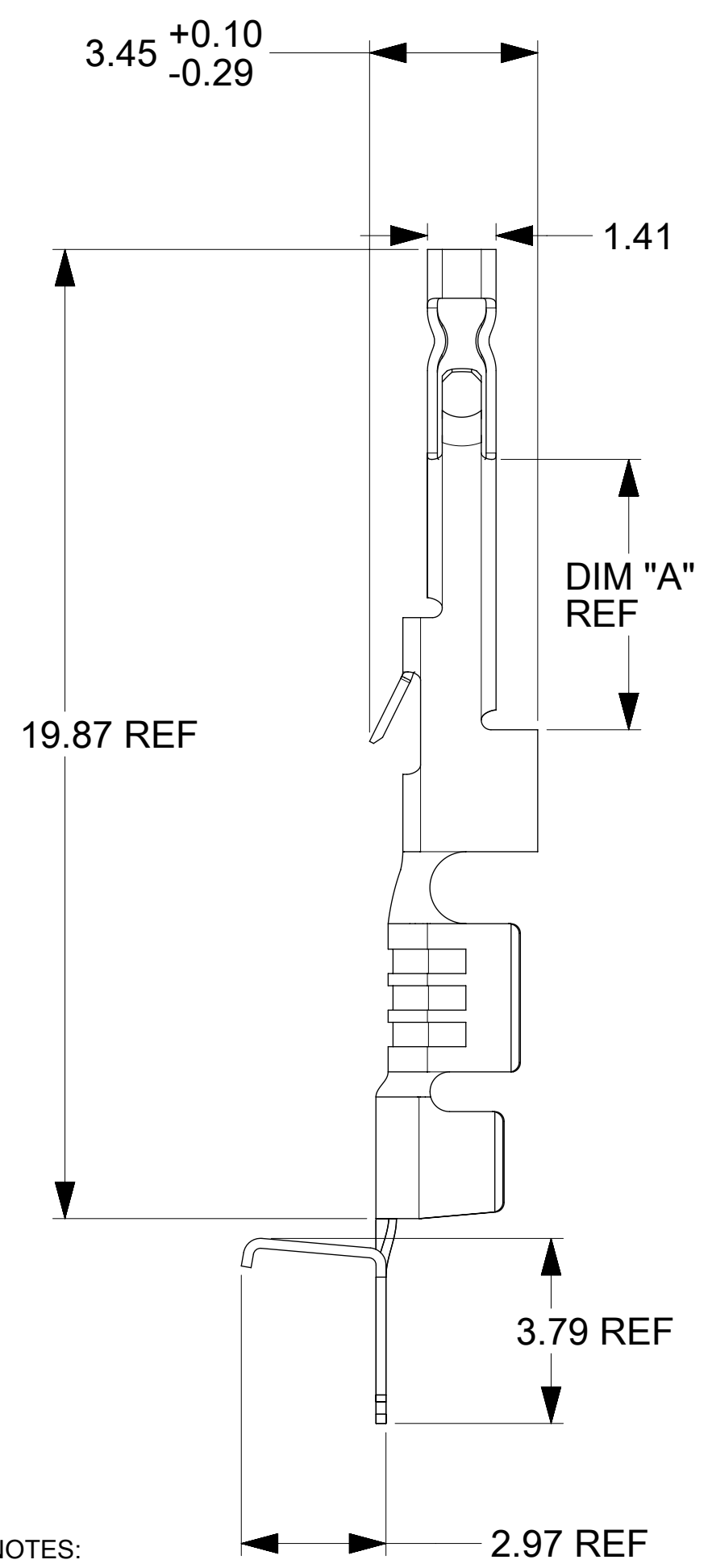
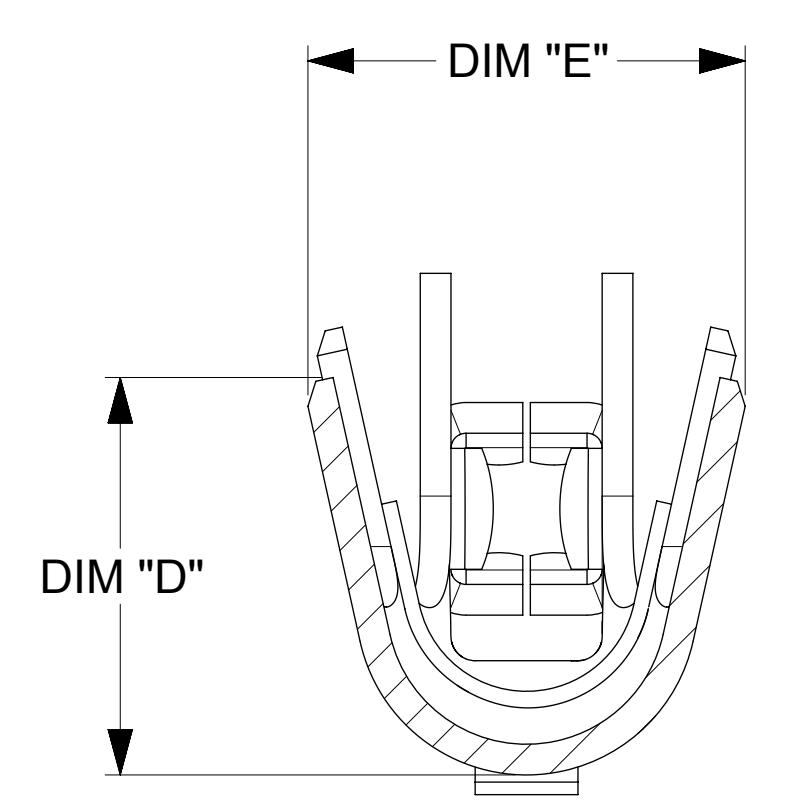
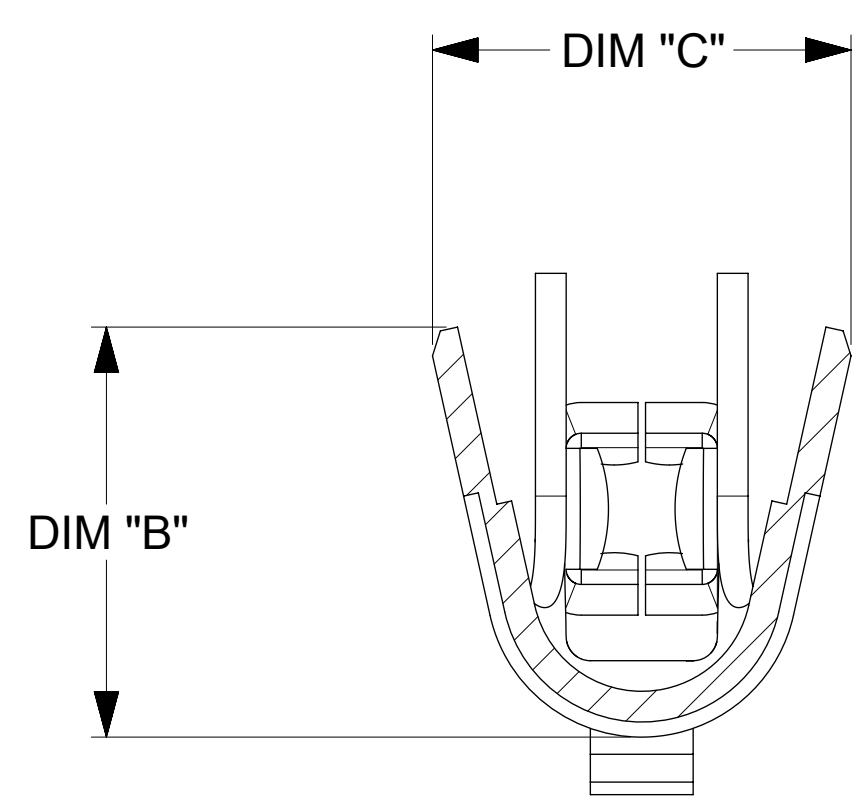


| FINISHED RECEPTACLE TERMINALS |                        |                 |       |
|-------------------------------|------------------------|-----------------|-------|
| PART NUMBER                   | CONTACT PLATING OPTION | WIRE SIZE [AWG] | DIM A |
| 172253-3023                   | TIN/NICKEL             | 16-18           | 5.54  |
| 172253-3123                   | TIN/NICKEL             | 20-22           | 5.54  |
| 172253-3011                   | 15AU/NICKEL            | 16-18           | 4.54  |
| 172253-3111                   | 15AU/NICKEL            | 20-22           | 4.54  |
| 172253-3012                   | 30AU/NICKEL            | 16-18           | 4.54  |
| 172253-3112                   | 30AU/NICKEL            | 20-22           | 4.54  |



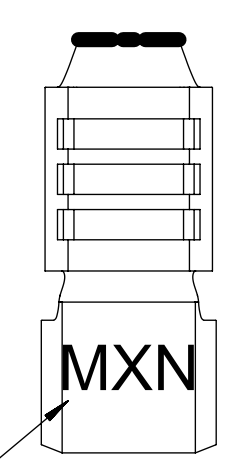
|         | 16-18 AWG | 20-22 AWG |
|---------|-----------|-----------|
| DIM "B" | 2.71      | 2.16      |
| DIM "C" | 2.77      | 2.20      |
| DIM "D" | 2.63      | 2.08      |
| DIM "E" | 2.89      | 2.33      |



SECTION Z-Z

SECTION Y-Y

- NOTES:
- MATERIAL: HIGH CONDUCTIVITY COPPER ALLOY
  - PLATING FINISH:
    - OPTION 1 - 1.5µm(60µin)-2.5µm(100µin) TIN OVER  
1.25µm(50µin)-2.5µm(100µin) NICKEL OVERALL
    - OPTION 2 - 0.35µm(15µin) GOLD CONTACT AREA,  
1.5µm(60µin)-2.5µm(100µin) TIN CRIMP AREA OVER  
1.25µm(50µin)-2.5µm(100µin) NICKEL OVERALL
    - OPTION 3 - 0.70µm(30µin) GOLD CONTACT AREA,  
1.5µm(60µin)-2.5µm(100µin) TIN CRIMP AREA OVER  
1.25µm(50µin)-2.5µm(100µin) NICKEL OVERALL
  - PRODUCT SPECIFICATION PS-172323-0001
  - PACKAGING SPECIFICATION PK-172253-5101
  - TERMINAL FOR USE WITH 172256, 172258, 172260 AND 172262 RECEPTACLE HOUSING
  - WHEN TERMINALS ARE INSTALLED IN THE HOUSING THE WIRES ARE TO BE DRESSED IN SUCH WAY TO ALLOW THE TERMINALS TO FLOAT FREELY IN THE POCKET
  - TERMINAL DESIGNED FOR SINGLE WIRE CRIMP
  - PART CONFORMS TO CLASS "B" REQUIREMENTS OF COSMETIC SPECIFICATION PS-45499-002
  - APPLICATION SPECIFICATION AS-172323-0001
  - RECOMMENDED INSULATOR
    - 16AWG WIRE - OD 2.00MM MAX.
    - 18AWG WIRE - OD 1.70MM MAX.
    - 20AWG WIRE - OD 1.50MM MAX.
    - 22AWG WIRE - OD 1.30MM MAX.



MOLEX LOGO SCALE 8:1

|                 |   |            |                                       |                        |                 |                |   |                 |          |
|-----------------|---|------------|---------------------------------------|------------------------|-----------------|----------------|---|-----------------|----------|
| QUALITY SYMBOLS | THIS DRAWING CONTAINS INFORMATION THAT IS PROPRIETARY TO MOLEX INCORPORATED AND SHOULD NOT BE USED WITHOUT WRITTEN PERMISSION |            | GENERAL TOLERANCES (UNLESS SPECIFIED) |                        | DIMENSION UNITS | SCALE          |   |                 |          |
| ▽ = 0           | 2016/05/24  | 2015/09/29 | MM                                    | 1:1                    | DRWN BY         | DATE           |   |                 |          |
| ▽ = 0           | EC DESCRIPTION<br>20160524<br>DRAWN: PEREZ<br>CHKD: RHODGE<br>APPR: RHODGE  | DROSCA     | ANGULAR TOL ±                         | °                      | 2014/03/07      | DATE           | ULTRA-FIT RECEPTACLE TERMINAL FOR 16-18 AWG, 20-22AWG |                 |          |
| ▽ = 0           |   |            | 4 PLACES ±                            | 3 PLACES ±             | 2 PLACES ±      | 1 PLACE ±      |   |                 |          |
| ▽ = 0           | EC NO. 108236<br>CHKD: PEREZ<br>APPR: RHODGE  | JCOMERCI   | DRAFT WHERE APPLICABLE                |                        | APPR BY         | DATE           | PRODUCT CUSTOMER DRAWING                              |                 |          |
| ▽ = 0           |   |            | MUST REMAIN WITHIN DIMENSIONS         |                        | 2014/04/24      | DATE           |   |                 |          |
| ■ = 0           | C8  | 172253     | DRAWING SIZE                          | THIRD ANGLE PROJECTION | 172253          | 2014/04/24     | SERIES  | MATERIAL NUMBER | CUSTOMER |
| ▽ = 0           |   |            | D                                     | SEE CHART              | GENERAL MARKET  | SD-172253-1000 | PSD   | 000             | 1 OF 1   |