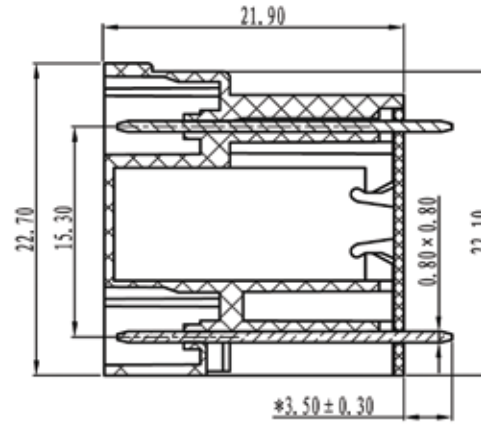
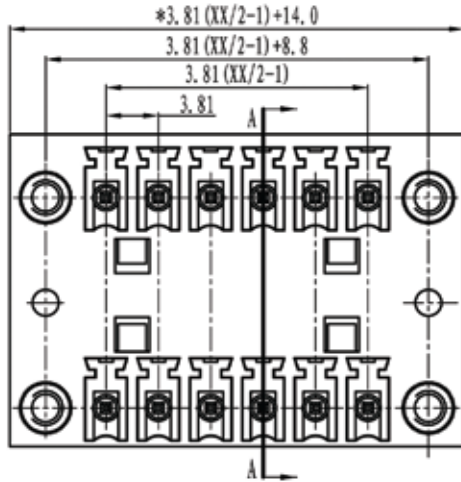
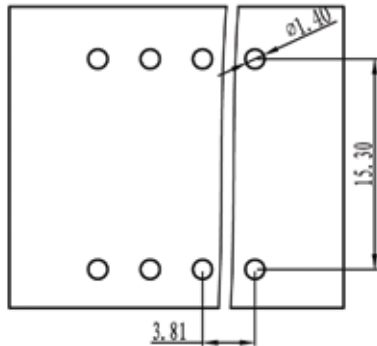


euro-block

product specification



SECTION A-A



TOLERANCES EXCEPT AS NOTED

Electrical

Standard: UL-IEC
 Rated voltage: 300V-250V
 Rated current: 8A-7A
 Contact resistance: 20m Ω
 Withstanding voltage: AC2000V/1Min
 Insulation resistance: 5000M Ω/DC1000V

Mechanical

Temp.Range: -40°C~+105°C
 MAX Soldering: +250°C for 5 sec

Dimensions

Pitch: 3.81mm
 Poles: 2p-24p

Material

Housing: PA66, UL94V-0
 Pin header: Brass, Tin plated
 Nut: M2.5, Brass

Schema generale del codice di ordinazione / General description of ordering code

serie	n°poli	passo	versione	colore	custom
MDL	02/24	3.81	VF		

variable range	linear dimension				fillet	chamfer	short angle sid			≡	-	□	//	⊥			
	to	over	over	over	all	to	to	to	to						to	to	to
tolerance	±0.1	±0.2	±0.3	±0.5	±0.9	±0.2	±0.5	±1	1'	30'	20'	10'	0.5	0.025	0.06	0.12	0.4

UNITS	mm	SIZE	A4	SCALE	FIRST ANGLE PROJECTION	
					NAME	MDL-3.81-VF