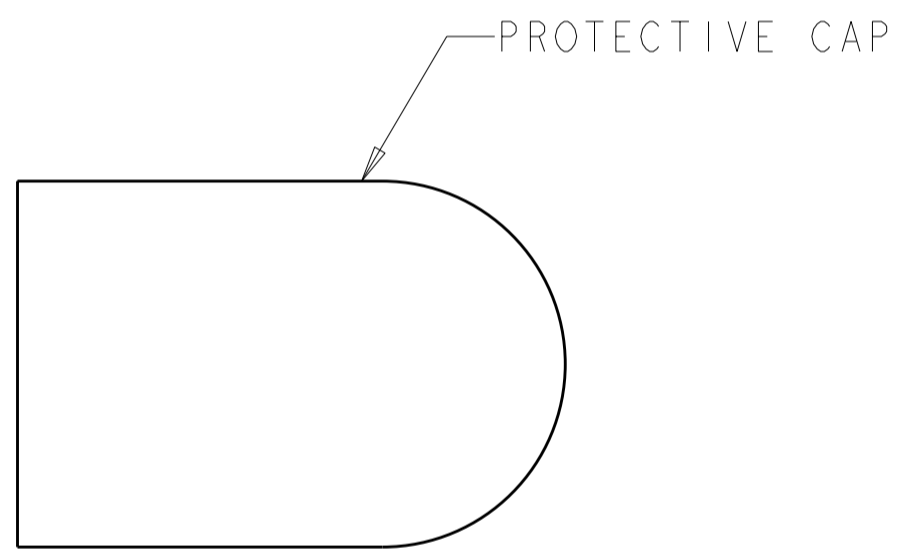
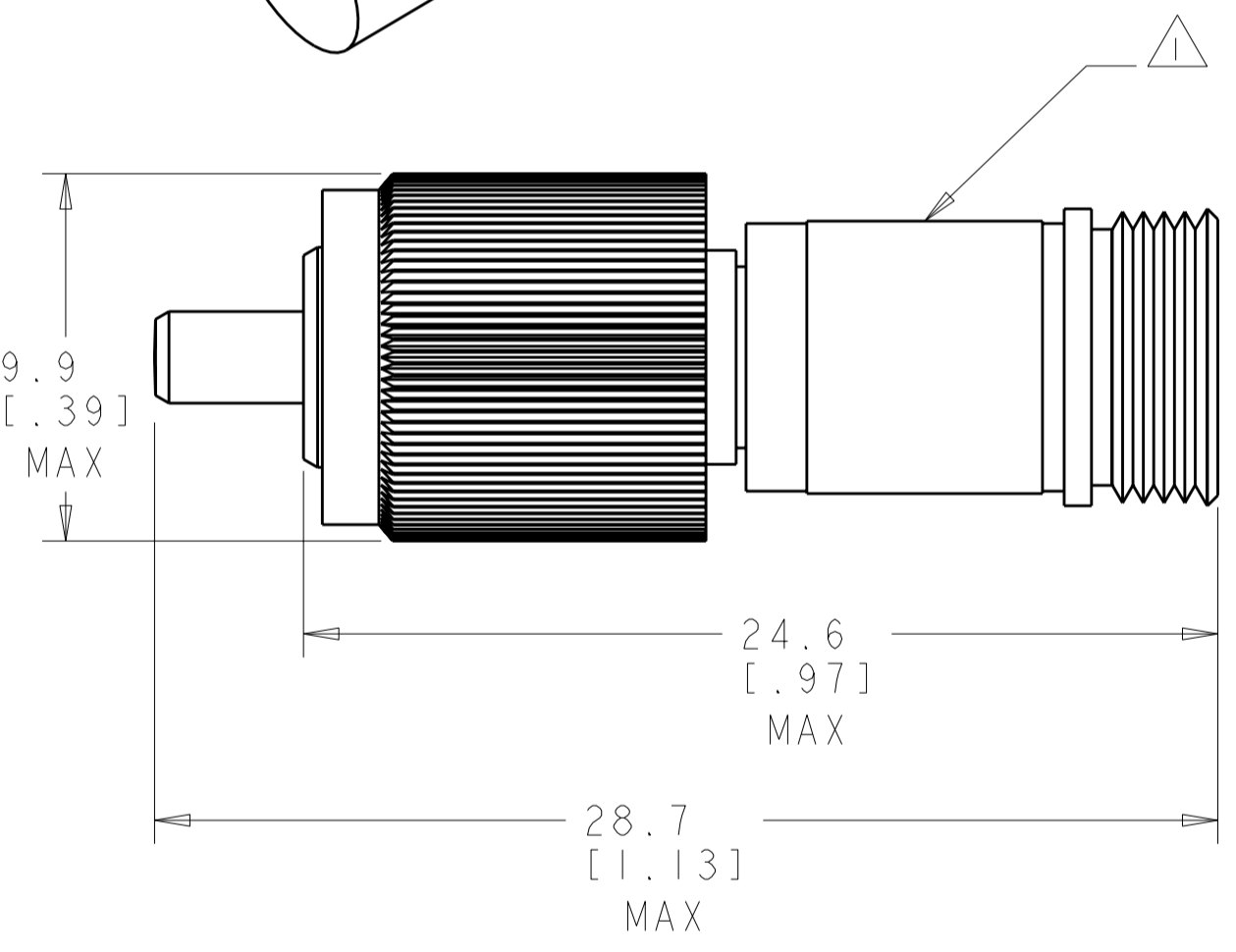
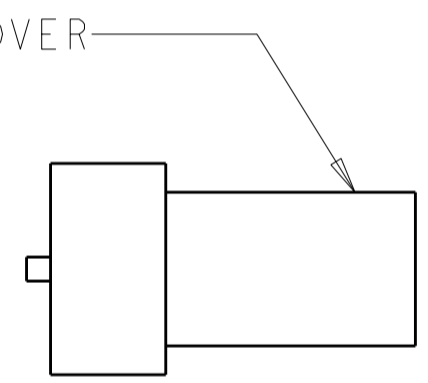
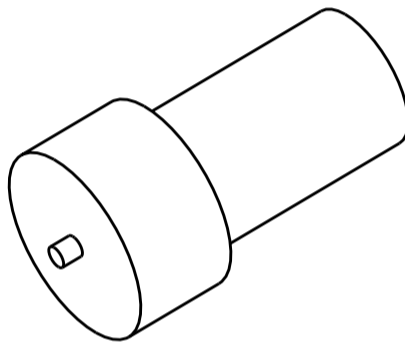
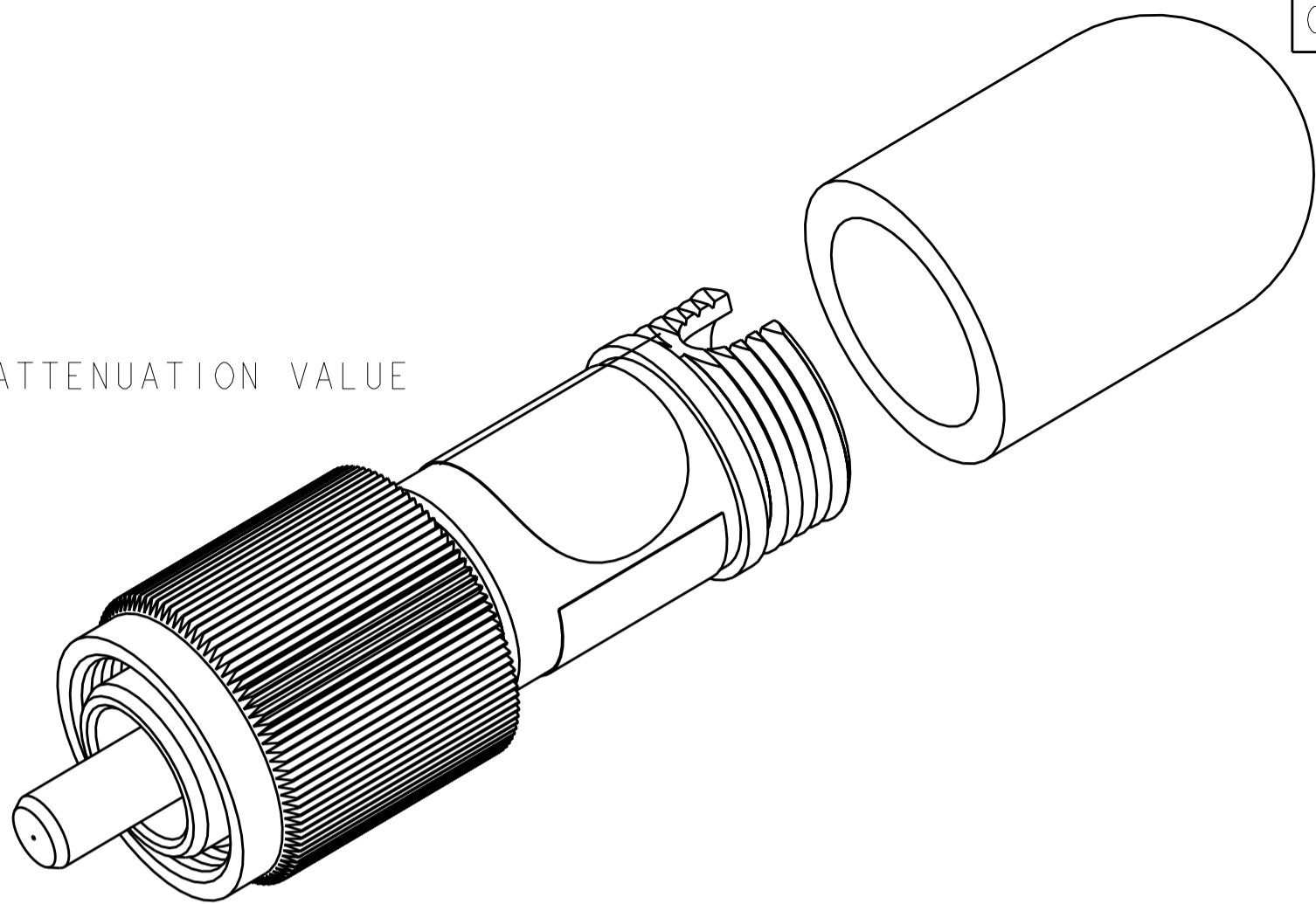


THIS DRAWING IS UNPUBLISHED. RELEASED FOR PUBLICATION 20
 © COPYRIGHT 20 BY TYCO ELECTRONICS CORPORATION. ALL RIGHTS RESERVED.

LOC	DIST	REVISIONS			
P	LTR	DESCRIPTION	DATE	DWN	APVD
CE	00				
		C	REVISE PER ECR-08-012828	02JUL2008	BB DK

PERFORMANCE REQUIREMENTS:
 OPERATING WAVELENGTH: 1260-1360 & 1430-1625nm
 REFLECTANCE: $\leq -55.5\text{dB}$
 ATTENUATION TOLERANCE, AMBIENT:
 FOR 0dB ATTENUATORS : +0.50dB MAX
 FOR ATTENUATORS $\leq 5\text{dB}$: $\pm 0.50\text{dB}$
 FOR ATTENUATORS $> 5\text{dB}$: $\pm 10\%$ OF NOMINAL ATTENUATION VALUE
 MEASURED WITH REFERENCE QUALITY LAUNCH LEADS

ENDFACE GEOMETRY:
 ROC: 10-25mm
 APEX OFFSET: $< 50\mu\text{m}$
 FIBER HEIGHT: $\pm 50\text{nm}$



NOMINAL ATTENUATION VALUE (dB)	PART NUMBER
0.5	7-5209285-0
0	9-5209285-9
1	5209285-1
2	5209285-2
3	5209285-3
4	5209285-4
5	5209285-5
6	5209285-6
7	5209285-7
7.5	7-5209285-7
8	5209285-8
9	5209285-9
10	1-5209285-0
11	1-5209285-1
12	1-5209285-2
13	1-5209285-3
14	1-5209285-4
15	1-5209285-5
18	1-5209285-8
19	1-5209285-9
20	2-5209285-0
25	2-5209285-5

⚠ TYCO ELECTRONICS LOGO, ATTENUATION VALUE, PART NUMBER, AND SERIAL NUMBER ARE PRINTED ON THE LABEL.

<small>THIS DRAWING IS A CONTROLLED DOCUMENT FOR TYCO ELECTRONICS CORPORATION. IT IS SUBJECT TO CHANGE AND THE CONTROLLING ENGINEERING ORGANIZATION SHOULD BE CONTACTED FOR THE LATEST REVISION.</small>		DWN: 19DEC2005 CHK: E. HOPKINS APVD: S. BUCHTER	Tyco Electronics Harrisburg, PA 17105-3608
DIMENSIONS: mm [INCHES]	TOLERANCES UNLESS OTHERWISE SPECIFIED: 0 PLC \pm 1 PLC \pm 2 PLC \pm 3 PLC \pm 4 PLC \pm ANGLES ± 2 FINISH	PRODUCT SPEC APPLICATION SPEC WEIGHT	NAME: ATTENUATOR, FOPC BOA FC/UPC BP SM SIZE: A2 CAGE CODE: 00779 DRAWING NO: C-5209285 RESTRICTED TO:
MATERIAL: -		CUSTOMER DRAWING SCALE: 5:1 SHEET: 1 OF 1 REV: C	