



DSL-1205-G01MC

SICK
Sensor Intelligence.



Ordering information

Type	Part no.
DSL-1205-G01MC	6029280

Other models and accessories → www.sick.com/



Detailed technical data

Technical specifications

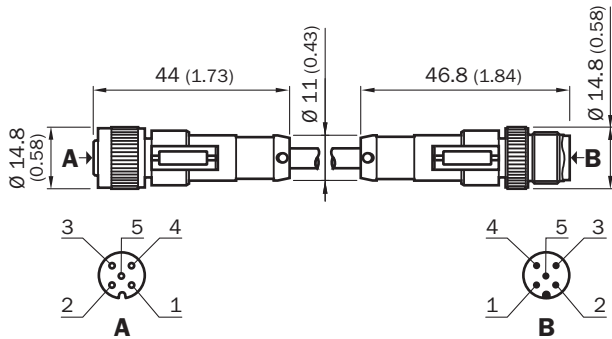
Accessory group	Plug connectors and cables				
Accessory family	Connection cables				
Connection type head A	Female connector, M12, 5-pin, straight, A-coded				
Connection type head B	Male connector, M12, 5-pin, straight, A-coded				
Connector material	TPU				
Connector color	Black				
Locking nut material	Zinc die-cast, nickel-plated				
Tightening torque	0.4 Nm				
Cable	1 m, 5-wire, PUR, halogen-free				
Jacket material	PUR, halogen-free				
Jacket color	Black				
Cable diameter	5 mm				
Conductor cross-section	0.34 mm ²				
Shielding	Unshielded				
Bending radius	<table border="0"> <tr> <td style="padding-right: 20px;">Flexible use</td> <td>> 10 x cable diameter</td> </tr> <tr> <td>Stationary position</td> <td>> 5 x cable diameter</td> </tr> </table>	Flexible use	> 10 x cable diameter	Stationary position	> 5 x cable diameter
Flexible use	> 10 x cable diameter				
Stationary position	> 5 x cable diameter				
Bending cycles	≥ 4,000,000				
Reference voltage	≤ 60 V				
Current loading	4 A				
Traversing speed	3 m/s				
Travelling distance	10 m				
Acceleration	≤ 10 m/s ²				
Signal type	Digital I/Os				
Application	Zones with oils and lubricants Drag chain operation				
Authorizations	UL				
UL File No.	CYJV.E335179				
Enclosure rating	IP65/ IP67/ IP68				
Ambient operating temperature					

Flexible use	-25 °C ... +80 °C
Stationary position	-40 °C ... +80 °C
Head	-25 °C ... +90 °C

Classifications

ECl@ss 5.0	19030312								
ECl@ss 5.1.4	19030312								
ECl@ss 6.0	27060304								
ECl@ss 6.2	27060304								
ECl@ss 7.0	27060304								
ECl@ss 8.0	27060304								
ECl@ss 8.1	27060304 </tr <tr> <td>ECl@ss 9.0</td> <td>27060304</td> </tr> <tr> <td>ETIM 5.0</td> <td>EC000830</td> </tr> <tr> <td>ETIM 6.0</td> <td>EC000830</td> </tr> <tr> <td>UNSPSC 16.0901</td> <td>26121604</td> </tr>	ECl@ss 9.0	27060304	ETIM 5.0	EC000830	ETIM 6.0	EC000830	UNSPSC 16.0901	26121604
ECl@ss 9.0	27060304								
ETIM 5.0	EC000830								
ETIM 6.0	EC000830								
UNSPSC 16.0901	26121604								

Dimensional drawing (Dimensions in mm (inch))



- ① brn
- ② wht
- ③ blu
- ④ blk
- ⑤ gra

SICK AT A GLANCE

SICK is one of the leading manufacturers of intelligent sensors and sensor solutions for industrial applications. A unique range of products and services creates the perfect basis for controlling processes securely and efficiently, protecting individuals from accidents and preventing damage to the environment.

We have extensive experience in a wide range of industries and understand their processes and requirements. With intelligent sensors, we can deliver exactly what our customers need. In application centers in Europe, Asia and North America, system solutions are tested and optimized in accordance with customer specifications. All this makes us a reliable supplier and development partner.

Comprehensive services complete our offering: SICK LifeTime Services provide support throughout the machine life cycle and ensure safety and productivity.

For us, that is “Sensor Intelligence.”

WORLDWIDE PRESENCE:

Contacts and other locations –www.sick.com