

**PLEASE CHECK WWW.MOLEX.COM FOR LATEST PART INFORMATION**

**Part Number:** [0026202052](#)  
**Status:** **Active**  
**Overview:** [kk](#)  
**Description:** 3.96mm (.156") Pitch KK® Wire-to-Board Header, Vertical Round Pin, 5 Circuits, Tin (Sn) Plating, with Mating Pin Length of 16.18mm (.637")

**Documents:**

[3D Model](#) [Product Specification PS-99020-0087 \(PDF\)](#)  
[Drawing \(PDF\)](#) [RoHS Certificate of Compliance \(PDF\)](#)

**Agency Certification**

UL E29179

**General**

Product Family PCB Headers  
 Series [3192](#)  
 Application Board-to-Board, Wire-to-Board  
 Overview [kk](#)  
 Product Name KK®

**Physical**

Breakaway No  
 Circuits (Loaded) 5  
 Circuits (maximum) 5  
 Color - Resin Natural  
 Durability (mating cycles max) 25  
 First Mate / Last Break No  
 Flammability 94V-2  
 Glow-Wire Compliant No  
 Guide to Mating Part No  
 Keying to Mating Part None  
 Lock to Mating Part None  
 Material - Metal Brass  
 Material - Plating Mating Tin  
 Material - Plating Termination Tin  
 Material - Resin Nylon  
 Number of Rows 1  
 Orientation Vertical  
 PC Tail Length (in) 0.175 In  
 PC Tail Length (mm) 4.45 mm  
 PCB Locator No  
 PCB Retention None  
 PCB Thickness Recommended (in) 0.062 In  
 PCB Thickness Recommended (mm) 1.60 mm  
 Packaging Type Bag  
 Pitch - Mating Interface (in) 0.156 In  
 Pitch - Mating Interface (mm) 3.96 mm  
 Plating min: Mating (µin) 200  
 Plating min: Mating (µm) 5  
 Plating min: Termination (µin) 200  
 Plating min: Termination (µm) 5  
 Polarized to Mating Part No  
 Polarized to PCB No  
 Shrouded No  
 Stackable Yes  
 Temperature Range - Operating 0°C to +75°C



**EU RoHS**

**ELV and RoHS Compliant**  
**REACH SVHC**  
 Not Reviewed  
**Halogen-Free Status**  
**Not Reviewed**

**China RoHS**



**Need more information on product environmental compliance?**

Email [productcompliance@molex.com](mailto:productcompliance@molex.com)  
 For a multiple part number RoHS Certificate of Compliance, [click here](#)

Please visit the [Contact Us](#) section for any non-product compliance questions.

**Search Parts in this Series**

[3192Series](#)

**Mates With**

[3069](#) KK® Crimp Terminal Housing. [3215](#) KK® PC Board Connector

Termination Interface: Style Through Hole

**Electrical**

Current - Maximum per Contact 7A  
Voltage - Maximum 250V

**Material Info**

Old Part Number 319205B

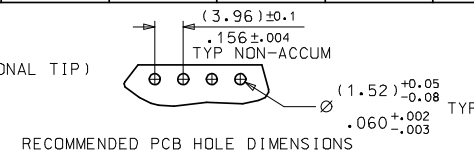
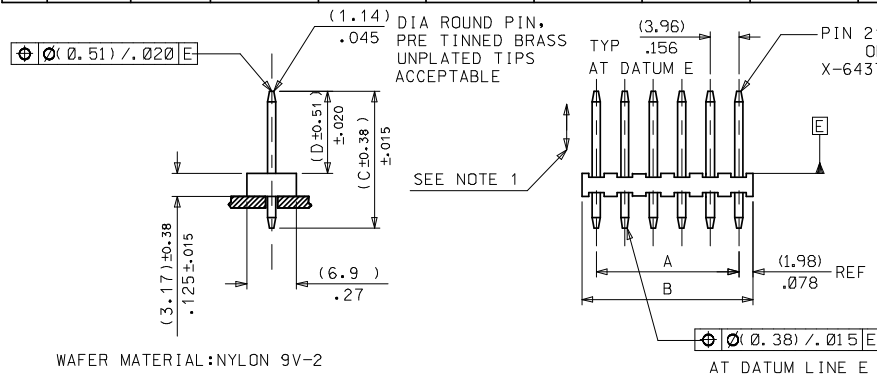
**Reference - Drawing Numbers**

Product Specification PS-99020-0087  
Sales Drawing SDAE-3192-N\*

This document was generated on 05/28/2010

**PLEASE CHECK [WWW.MOLEX.COM](http://WWW.MOLEX.COM) FOR LATEST PART INFORMATION**

| ENG No:  | AE-3192-NA       | AE-3192-NB       | AE-3192-NC       | AE-3192-ND       | AE-3192-NE      | AE-3192-NF       | AE-3192-NH      | AE-3192-NI      | AE-3192-NJ       | AE-3192-NK       | AE-3192-NM       | AE-3192-NP       | AEX-3192-NR      | AE-3192-NS       | AE-3192-NW      | AEX-3192-NY      | AE-3192-NZ       |            |            |
|----------|------------------|------------------|------------------|------------------|-----------------|------------------|-----------------|-----------------|------------------|------------------|------------------|------------------|------------------|------------------|-----------------|------------------|------------------|------------|------------|
| DIM "D"  | (11.43)<br>.450  | (16.18)<br>.637  | (22.53)<br>.887  | (27.30)<br>1.075 | (14.27)<br>.562 | (32.51)<br>1.280 | (12.33)<br>.485 | (14.27)<br>.562 | (20.95)<br>.825  | (17.47)<br>.688  | (12.70)<br>.500  | (19.05)<br>.750  | (11.43)<br>.450  | (20.32)<br>.800  | (3.00)<br>.118  | (11.43)<br>.450  | (27.31)<br>1.075 |            |            |
| DIM "C"  | (19.05)<br>.750  | (23.80)<br>.937  | (30.15)<br>1.187 | (34.92)<br>1.375 | (23.80)<br>.937 | (39.67)<br>1.562 | (19.05)<br>.750 | (20.32)<br>.800 | (28.57)<br>1.125 | (25.40)<br>1.000 | (28.87)<br>1.125 | (39.67)<br>1.562 | (31.75)<br>1.250 | (28.58)<br>1.125 | (19.05)<br>.750 | (25.40)<br>1.000 | (34.93)<br>1.375 |            |            |
| CCT SIZE | DIM "A"          | DIM "B"          | PART No          | PART No          | PART No         | PART No          | PART No         | PART No         | PART No          | PART No          | PART No          | PART No          | PART No          | PART No          | PART No         | PART No          | PART No          |            |            |
| 2        | (3.96)<br>.156   | (7.92)<br>.312   | 26-20-2021       | 26-20-2022       | 26-20-2023      | 26-20-2024       | 26-20-2025      | 26-20-2026      | 26-20-2027       | 26-20-2028       | 26-20-2029       | 26-21-2021       | 26-21-2022       | 26-21-2023       | NOT TOOLED      | 26-21-2024       | 38-00-5822       | NOT TOOLED | 38-00-4072 |
| 3        | (7.92)<br>.312   | (11.89)<br>.468  | 26-20-2031       | 26-20-2032       | 26-20-2033      | 26-20-2034       | 26-20-2035      | 26-20-2036      | 26-20-2037       | 26-20-2038       | 26-20-2039       | 26-21-2031       | 26-21-2032       | 26-21-2033       | ↑               | 26-21-2034       | 38-00-5823       | ↑          | 38-00-4073 |
| 4        | (11.89)<br>.468  | (15.85)<br>.624  | 26-20-2041       | 26-20-2042       | 26-20-2043      | 26-20-2044       | 26-20-2045      | 26-20-2046      | 26-20-2047       | 26-20-2048       | 26-20-2049       | 26-21-2041       | 26-21-2042       | 26-21-2043       |                 | 26-21-2044       | 38-00-5824       |            | 38-00-4074 |
| 5        | (15.85)<br>.624  | (19.81)<br>.780  | 26-20-2051       | 26-20-2052       | 26-20-2053      | 26-20-2054       | 26-20-2055      | 26-20-2056      | 26-20-2057       | 26-20-2058       | 26-20-2059       | 26-21-2051       | 26-21-2052       | 26-21-2053       |                 | 26-21-2054       | 38-00-5825       |            | 38-00-4075 |
| 6        | (19.81)<br>.780  | (23.77)<br>.936  | 26-20-2061       | 26-20-2062       | 26-20-2063      | 26-20-2064       | 26-20-2065      | 26-20-2066      | 26-20-2067       | 26-20-2068       | 26-20-2069       | 26-21-2061       | 26-21-2062       | 26-21-2063       |                 | 26-21-2064       | 38-00-5826       |            | 38-00-4076 |
| 7        | (23.77)<br>.936  | (27.74)<br>1.092 | 26-20-2071       | 26-20-2072       | 26-20-2073      | 26-20-2074       | 26-20-2075      | 26-20-2076      | 26-20-2077       | 26-20-2078       | 26-20-2079       | 26-21-2071       | 26-21-2072       | 26-21-2073       |                 | 26-21-2074       | 38-00-5827       |            | 38-00-4077 |
| 8        | (27.74)<br>1.092 | (31.70)<br>1.248 | 26-20-2081       | 26-20-2082       | 26-20-2083      | 26-20-2084       | 26-20-2085      | 26-20-2086      | 26-20-2087       | 26-20-2088       | 26-20-2089       | 26-21-2081       | 26-21-2082       | 26-21-2083       |                 | 26-21-2084       | 38-00-5828       |            | 38-00-4078 |
| 9        | (31.70)<br>1.248 | (35.66)<br>1.404 | 26-20-2091       | 26-20-2092       | 26-20-2093      | 26-20-2094       | 26-20-2095      | 26-20-2096      | 26-20-2097       | 26-20-2098       | 26-20-2099       | 26-21-2091       | 26-21-2092       | 26-21-2093       |                 | 26-21-2094       | 38-00-5829       |            | 38-00-4079 |
| 10       | (35.66)<br>1.404 | (39.62)<br>1.560 | 26-20-2101       | 26-20-2102       | 26-20-2103      | 26-20-2104       | 26-20-2105      | 26-20-2106      | 26-20-2107       | 26-20-2108       | 26-20-2109       | 26-21-2101       | 26-21-2102       | 26-21-2103       |                 | 26-21-2104       | 38-00-5830       |            | 38-00-4080 |
| 11       | (39.62)<br>1.560 | (43.59)<br>1.716 | 26-20-2111       | 26-20-2112       | 26-20-2113      | 26-20-2114       | 26-20-2115      | 26-20-2116      | 26-20-2117       | 26-20-2118       | 26-20-2119       | 26-21-2111       | 26-21-2112       | 26-21-2113       |                 | 26-21-2114       | 38-00-5831       |            | 38-00-4081 |
| 12       | (43.59)<br>1.716 | (47.55)<br>1.872 | 26-20-2121       | 26-20-2122       | 26-20-2123      | 26-20-2124       | 26-20-2125      | 26-20-2126      | 26-20-2127       | 26-20-2128       | 26-20-2129       | 26-21-2121       | 26-21-2122       | 26-21-2123       |                 | 26-21-2124       | 38-00-5832       |            | 38-00-4082 |
| 13       | (47.55)<br>1.872 | (51.51)<br>2.028 | 26-20-2131       | 26-20-2132       | 26-20-2133      | 26-20-2134       | 26-20-2135      | 26-20-2136      | 26-20-2137       | 26-20-2138       | 26-20-2139       | 26-21-2131       | 26-21-2132       | 26-21-2133       |                 | 26-21-2134       | 38-00-5833       |            | 38-00-4083 |
| 14       | (51.51)<br>2.028 | (55.47)<br>2.184 | 26-20-2141       | 26-20-2142       | 26-20-2143      | 26-20-2144       | 26-20-2145      | 26-20-2146      | 26-20-2147       | 26-20-2148       | 26-20-2149       | 26-21-2141       | 26-21-2142       | 26-21-2143       |                 | 26-21-2144       | 38-00-5834       |            | 38-00-4084 |
| 15       | (55.47)<br>2.184 | (59.44)<br>2.340 | 26-20-2151       | 26-20-2152       | 26-20-2153      | 26-20-2154       | 26-20-2155      | 26-20-2156      | 26-20-2157       | 26-20-2158       | 26-20-2159       | 26-21-2151       | 26-21-2152       | 26-21-2153       |                 | 26-21-2154       | 38-00-5835       |            | 38-00-4085 |
| 16       | (59.44)<br>2.340 | (63.40)<br>2.496 | 26-20-2161       | 26-20-2162       | 26-20-2163      | 26-20-2164       | 26-20-2165      | 26-20-2166      | 26-20-2167       | 26-20-2168       | 26-20-2169       | 26-21-2161       | 26-21-2162       | 26-21-2163       |                 | 26-21-2164       | 38-00-5836       |            | 38-00-4086 |
| 17       | (63.40)<br>2.496 | (67.36)<br>2.652 | 26-20-2171       | 26-20-2172       | 26-20-2173      | 26-20-2174       | 26-20-2175      | 26-20-2176      | 26-20-2177       | 26-20-2178       | 26-20-2179       | 26-21-2171       | 26-21-2172       | 26-21-2173       |                 | 26-21-2174       | 38-00-5837       |            | 38-00-4087 |
| 18       | (67.36)<br>2.652 | (71.32)<br>2.808 | 26-20-2181       | 26-20-2182       | 26-20-2183      | 26-20-2184       | 26-20-2185      | 26-20-2186      | 26-20-2187       | 26-20-2188       | 26-20-2189       | 26-21-2181       | 26-21-2182       | 26-21-2183       |                 | 26-21-2184       | 38-00-5838       |            | 38-00-4088 |
| 19       | (71.32)<br>2.808 | (75.29)<br>2.964 | 26-20-2191       | 26-20-2192       | 26-20-2193      | 26-20-2194       | 26-20-2195      | 26-20-2196      | 26-20-2197       | 26-20-2198       | 26-20-2199       | 26-21-2191       | 26-21-2192       | 26-21-2193       |                 | 26-21-2194       | 38-00-5839       | ↓          | 38-00-4089 |
| 20       | (75.29)<br>2.964 | (79.25)<br>3.120 | 26-20-2201       | 26-20-2202       | 26-20-2203      | 26-20-2204       | 26-20-2205      | 26-20-2206      | 26-20-2207       | 26-20-2208       | 26-20-2209       | 26-21-2201       | 26-21-2202       | 26-21-2203       | NOT TOOLED      | 26-21-2204       | 38-00-5840       | NOT TOOLED | 38-00-4090 |



- NOTES:
- PIN PUSH OUT FORCE 3 LBS MIN
  - PIN MUST CONFORM TO MOLEX SOLDERABILITY SPEC No 152 AFTER PLATING
  - RECOMMENDED PCB THICKNESS 1.6MM

|   |                               |  |  |  |                                     |                             |
|---|-------------------------------|--|--|--|-------------------------------------|-----------------------------|
| <b>ADDED NOTE 3</b><br>EC NO: E2008-0424<br>DRAWN: K I ERMAN 2008/03/18<br>CHKD: B MAGUIRE 2008/03/20<br>APPR: B MAGUIRE 2008/03/20 | QUALITY SYMBOLS<br>▽=0<br>▽=0 | GENERAL TOLERANCES (UNLESS SPECIFIED)  | DIMENSION STYLE<br><b>MM ONLY</b>  | SCALE<br>---   | DESIGN UNITS<br><b>METRIC</b>       | THIRD ANGLE PROJECTION      |
|   |                               | mm INCH<br>4 PLACES ± --- ± ---<br>3 PLACES ± --- ± .010<br>2 PLACES ± 0.25 ± .014<br>1 PLACE ± 0.35 ± ---<br>ANGULAR ± 1/2° | DRAWN BY DATE<br>T. MAHON 98/10/02<br>CHECKED BY DATE<br>M. GOONEY 98/10/09<br>APPROVED BY DATE<br>MWILHITE 98/10/09 | TITLE<br><b>WAVER FLAT MOLDED KK .156 .045 DIAMETER PINS</b> | MATERIAL NO.<br><b>SDAE-3192-N*</b> | SHEET NO.<br><b>1 OF 00</b> |
| DRAFT WHERE APPLICABLE MUST REMAIN WITHIN DIMENSIONS  |                               | <b>SEE CHART</b>   |  | MOLEX INCORPORATED   |                                     |                             |
| THIS DRAWING CONTAINS INFORMATION THAT IS PROPRIETARY TO MOLEX INCORPORATED AND SHOULD NOT BE USED WITHOUT WRITTEN PERMISSION       |                               |  |  |  |                                     |                             |