

**PLEASE CHECK WWW.MOLEX.COM FOR LATEST PART INFORMATION**

**Part Number:** [0586870020](#)  
**Status:** **Active**  
**Description:** HMC™ Rectangular Industrial Hood Bracket, Multi-Module Type, 36 Circuits, Type B Polarization

**Documents:**

[3D Model](#) [Product Specification PS-58691-004 \(PDF\)](#)  
[Drawing \(PDF\)](#) [RoHS Certificate of Compliance \(PDF\)](#)

**Agency Certification**

TUV R72081037

**General**

Product Family	I/O Connectors
Series	58687
Application	Panel-Mount
Component Type	Hood Bracket
Product Name	HMC™
Type	N/A

**Physical**

Circuits (Loaded)	36
Circuits (maximum)	36
Durability (mating cycles max)	50
Lock to Mating Part	Yes
Material - Metal	Brass
Material - Plating Mating	Copper
Material - Plating Termination	Copper
Orientation	Vertical
PCB Locator	No
Packaging Type	Bag
Panel Mount	N/A
Pitch - Mating Interface (in)	0.000 In
Pitch - Mating Interface (mm)	0.00 mm
Pitch - Term. Interface (in)	0.000 In
Pitch - Term. Interface (mm)	0.00 mm
Plating min: Mating (µin)	20
Plating min: Mating (µm)	0.5
Plating min: Termination (µin)	20
Plating min: Termination (µm)	0.5
Polarized to Mating Part	Yes
Temperature Range - Operating	-55°C to +125°C
Termination Interface: Style	Surface Mount
Waterproof / Dustproof	Yes
Waterproof / Dustproof Type	IP65

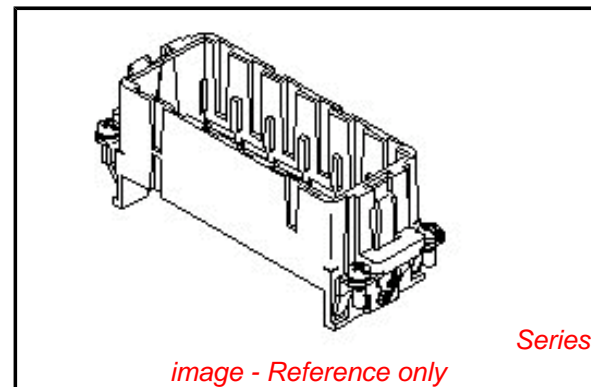
**Electrical**

Current - Maximum per Contact	12A
Voltage - Maximum	300V DC

**Material Info**

**Reference - Drawing Numbers**

Product Specification	PS-58691-004, RPS-58691-003, RPS-58691-004, RPS-58691-005
Sales Drawing	SD-58687-002



**EU RoHS**

**ELV and RoHS Compliant**  
**REACH SVHC**  
 Not Reviewed  
**Halogen-Free Status**  
 Not Reviewed

**China RoHS**



**Need more information on product environmental compliance?**

Email [productcompliance@molex.com](mailto:productcompliance@molex.com)  
 For a multiple part number RoHS Certificate of Compliance, [click here](#)

Please visit the [Contact Us](#) section for any non-product compliance questions.

**Search Parts in this Series**

[58687Series](#)

**Mates With**

[58691-0020](#) panel-mount bracket

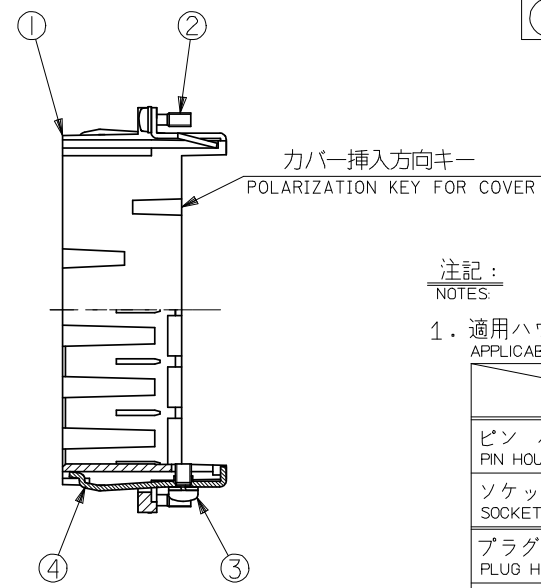
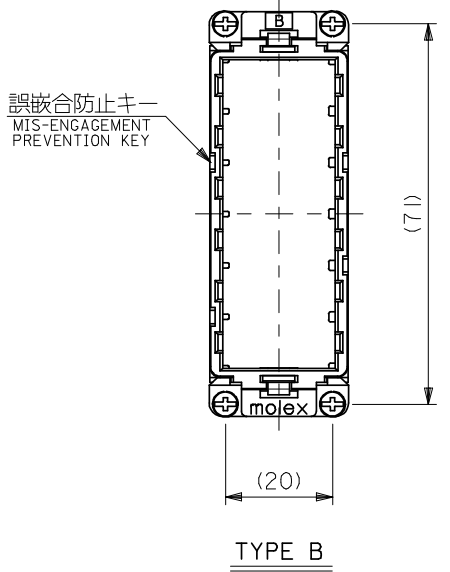
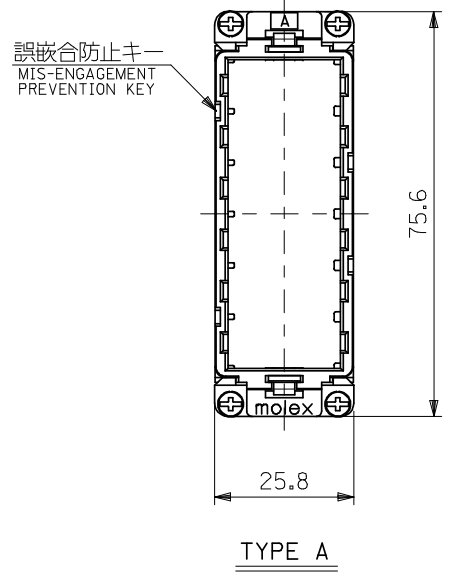
**Use With**

[58696-0010](#) hood, [51192](#) housing, [51193](#) housing

This document was generated on 04/05/2010

**PLEASE CHECK [WWW.MOLEX.COM](http://WWW.MOLEX.COM) FOR LATEST PART INFORMATION**

部番 NO.	部品名 PART NAME	数量 QTY.	材質 MATERIAL	記事 ARTICLE
①	プラグシェル PLUG SHELL	1	アルミニウム合金 ALUMINIUM ALLOY	—
②	M2.5×8 バネ座金付ねじ M2.5X8 SCREW	4	鋼 STEEL	Niメッキ NI PLATING
③	M3×5 バネ座金付ねじ M3X5 SCREW	2	鋼 STEEL	Niメッキ NI PLATING
④	グラウンドターミナル GROUND TERMINAL	2	黄銅 BRASS	Niメッキ NI PLATING



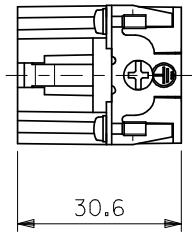
注記:  
NOTES

1. 適用ハウジング及び適用端子  
APPLICABLE HOUSING AND TERMINAL

	適用ハウジング APPLICABLE HOUSING	適用端子 APPLICABLE TERMINAL
ピン ハウジング PIN HOUSING	51192-0600	5558GS** (Au PLATING)
ソケット ハウジング SOCKET HOUSING	51193-0600	5556GS** (Au PLATING)
プラグ ハウジング PLUG HOUSING	503193-0600	503195-****
リセプタクル ハウジング RECEPTACLE HOUSING	503194-0600	503196-****

2. 推奨ねじ締め付けトルク  
RECOMMENDATION TIGHTENING TORQUE

- 1) M3ねじ : 5~6kgf・cm  
M3 SCREW : 5~6kgf・cm
- 2) M2.5ねじ : 4~5kgf・cm  
M2.5 SCREW : 4~5kgf・cm



B	58687-0020	58687-***0
A	58687-0010	
TYPE	オーダー番号 ORDER No.	MODEL No.

REVISED EC NO: J2008-3396 DRWN: SAKIYAMA 2008/03/25 CHKD: SSAT003 2008/03/26 APPR: SICHIKAWA 2008/03/26	GENERAL TOLERANCES (UNLESS SPECIFIED)		DIMENSION STYLE MM ONLY		SCALE 1:1	DESIGN UNITS METRIC	THIRD ANGLE PROJECTION	
	10 UNDER	±0.2	DRAWN BY M. HOSONO	DATE '98/04/15	TITLE POWER CONN. 36P PLUG SHELL ASS'Y			
	10 OVER 30 UNDER	±0.25	CHECKED BY YO. ITO	DATE '98/04/15				
	30 OVER	±0.3	APPROVED BY H. IKESUGI	DATE '98/04/15	MOLEX INCORPORATED			
	ANGULAR	±3 °	MATERIAL NO.	DOCUMENT NO.				
	DRAFT WHERE APPLICABLE MUST REMAIN WITHIN DIMENSIONS		SEE CHART		SD-58687-002			
	THIS DRAWING CONTAINS INFORMATION THAT IS PROPRIETARY TO MOLEX INCORPORATED AND SHOULD NOT BE USED WITHOUT WRITTEN PERMISSION							