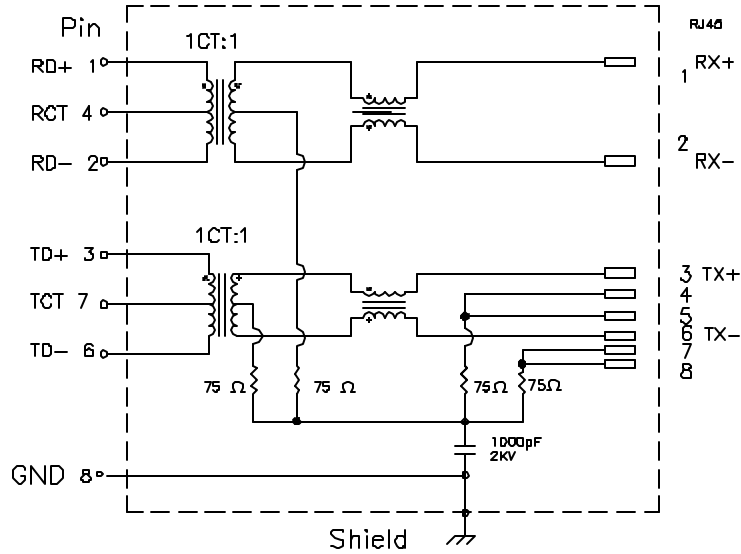


# Schematic:



## Electrical Specifications: 25°C

URNS RATIO: TX 1CT:1±3%, RX 1CT:1±3%

Isolation Voltage: 1500 Vrms (INPUT to OUTPUT)

UTP SIDE OCL: 350μH Min @100KHz 100mV 8mADC

Insertion Loss (1MHz–100MHz): -1.1dB Max

Return Loss: -18dB Min. @1MHz–30MHz

18–20 log(f/30MHz) Min @30MHz–60MHz

-12dB Min. @60MHz–80MHz

Crosstalk 100KHz–100MHz : -35.0dB Min

Common to Differential Mode Rejection @100KHz–100MHz: -40dB Min

Common to Common Mode Rejection @100KHz–100MHz: -30dB Min

### Note:

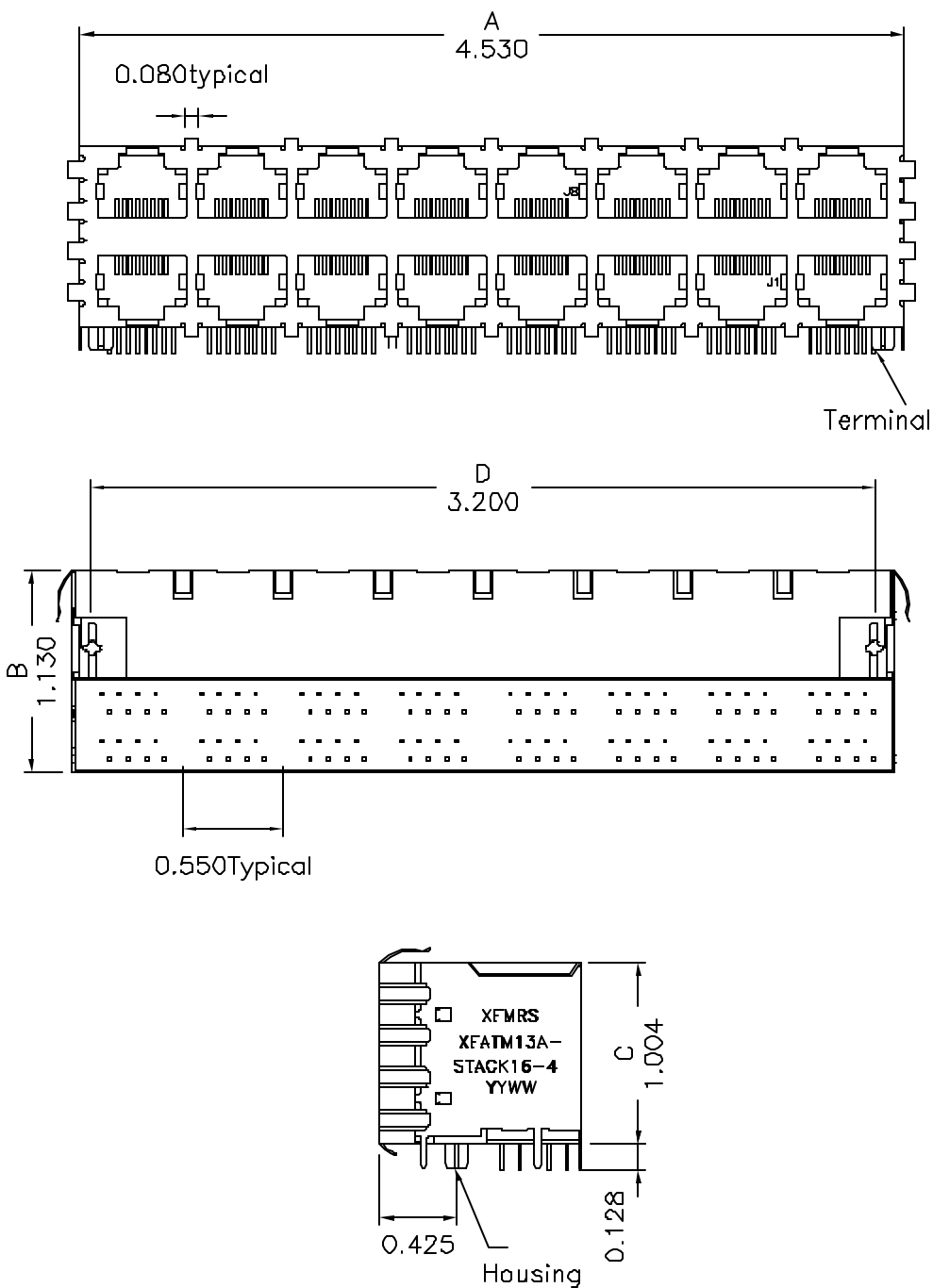
1. Solderability: Leads shall meet MIL-STD-202, Method 208D for solderability.
2. Flammability: UL94V-0,
3. ASTM oxygen index: > 28% ,
4. Temperature rating: 155°C. UL file E151556,
5. Operating Temperature Range: 0°C to +70°C

**PRELIMINARY**

DOC. REV. A/1

|                            |                                    |        |           |
|----------------------------|------------------------------------|--------|-----------|
| <b>XFMRS Inc.</b>          | Title:<br>2x8 STACKED COMBO SERIES |        |           |
| UNLESS OTHERWISE SPECIFIED | P/N: XFATM13A-STACK16-4            | REV. A |           |
| TOLERANCES:<br>.xxx ±0.010 | DWN.                               | 罗振江    | May-17-03 |
| Dimensions in Inch         | CHK.                               | 廖玉坤    | May-17-03 |
| SHEET 1 OF 3               | APP.                               | BW     | May-17-03 |

**Mechanical Dimensions:**



|                                                                                |                         |                                                              |           |
|--------------------------------------------------------------------------------|-------------------------|--------------------------------------------------------------|-----------|
| <b>XFMRs Inc.</b>                                                              |                         | Title: Mechanical Dimensions<br>For 2x8 STACKED COMBO Series |           |
| UNLESS OTHERWISE SPECIFIED<br>TOLERANCES:<br>.xxx ±0.010<br>Dimensions in Inch | P/N: XFATM13A-STACK16-4 | REV. A                                                       |           |
|                                                                                | DWN.                    | 罗振江                                                          | May-17-03 |
|                                                                                | CHK.                    | 廖玉坤                                                          | May-17-03 |
|                                                                                | APP.                    | BW                                                           | May-17-03 |
| SHEET 2 OF 3                                                                   |                         |                                                              |           |