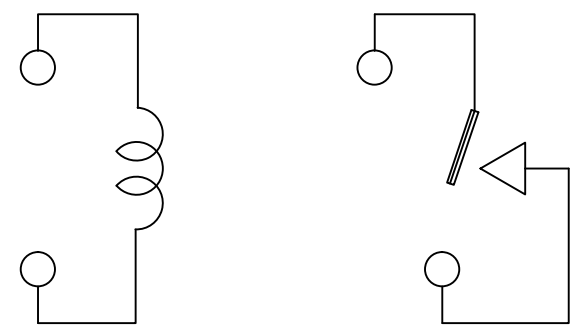
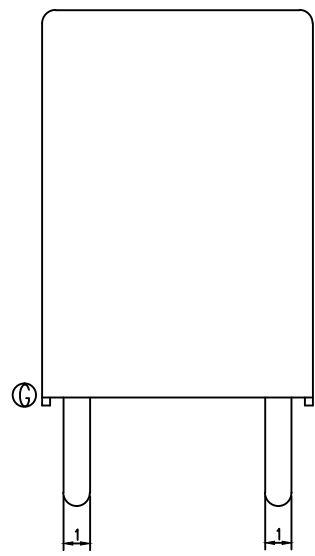
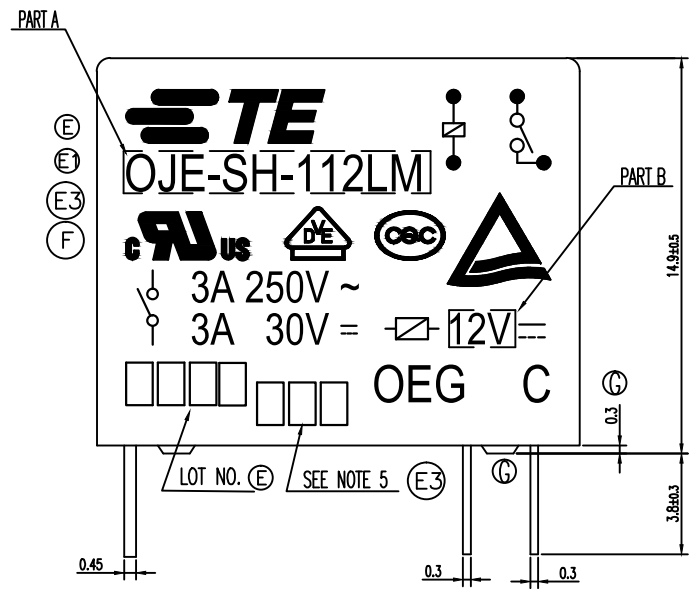
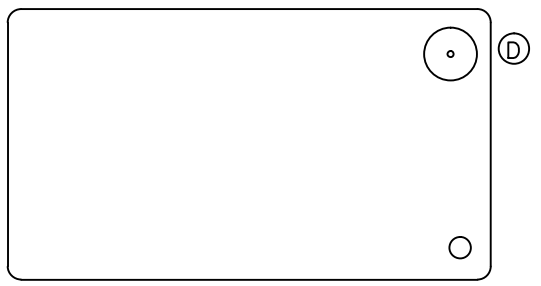


THIS DRAWING IS UNPUBLISHED. RELEASED FOR PUBLICATION  
 © COPYRIGHT - By - TE CONNECTIVITY ALL RIGHTS RESERVED.

LOC	DIST	REVISIONS			
P	LTR	DESCRIPTION	DATE	DWN	APVD
HB	-				
G		REMOVED THE RIB ON THE BASE TO CASE ECO-15-011310	08DEC2015	YS.H	CHL



CONNECTION FIGURE

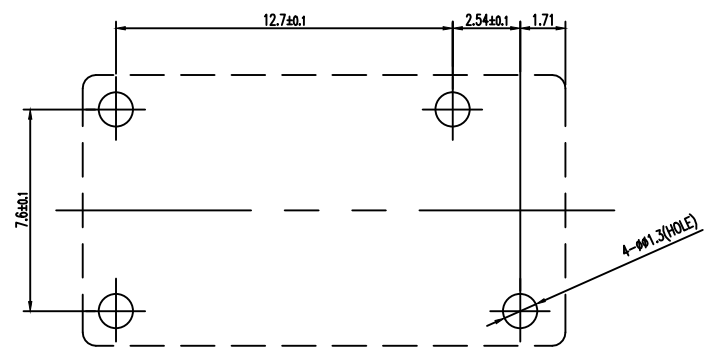
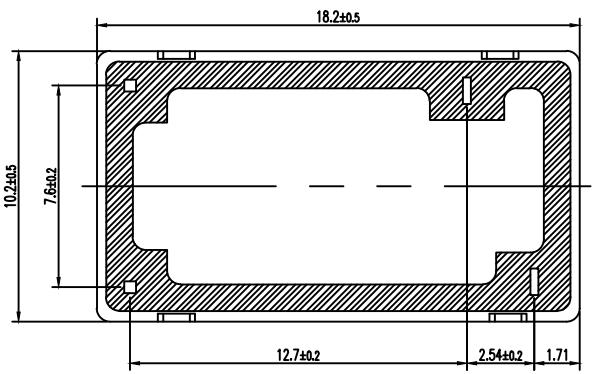


FIGURE FOR PRINTED CIRCUIT BOARD PROCESSING (BOTTOM VIEW)



THIS DRAWING IS A CONTROLLED DOCUMENT.		DWN	H.SASAKI	-	<b>TE</b> TE Connectivity			
DIMENSIONS: mm		CHK	Y.OIKAWA	-				
TOLERANCES UNLESS OTHERWISE SPECIFIED:		APVD	A.NAGAI	-	NAME			
0 PLC ± -		PRODUCT SPEC	-	-	OJE-SS-LM CUSTOMER DRAWING			
1 PLC ± -		APPLICATION SPEC	-	-	SIZE	CAGE CODE	DRAWING NO	RESTRICTED TO
2 PLC ± -		WEIGHT	-	-	A3	00779	©=1461035	-
3 PLC ± -		CUSTOMER DRAWING		SCALE	5:1	SHEET	1 OF 2	REV
4 PLC ± -								G
ANGLES ± -								
MATERIAL	FINISH							

THIS DRAWING IS UNPUBLISHED.

RELEASED FOR PUBLICATION

-, - .

© COPYRIGHT - By -

ALL RIGHTS RESERVED.

LOC HB DIST -

REVISIONS

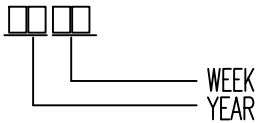
P	LTR	DESCRIPTION	DATE	DWN	APVD
-	-	SEE SHEET 1	-	-	-

Ⓓ	1461035-2	OJE-SS-118LM	107-79010	18V	OJE-SS-118LM	g
Ⓓ	5-1419144-0	OJE-SS-103LM	107-79010	3V	OJE-SS-103LM	f
	6-1419128-7	OJE-SS-124LM	107-79010	24V	OJE-SS-124LM	e
	4-1419128-6	OJE-SS-112LM	107-79010	12V	OJE-SS-112LM	d
	3-1419128-9	OJE-SS-109LM	107-79010	9V	OJE-SS-109LM	c
	1461035-1	OJE-SS-106LM	107-79010	6V	OJE-SS-106LM	b
	3-1419128-0	OJE-SS-105LM	107-79010	5V	OJE-SS-105LM	a
	PART NO	TYPE NAME	PACKAGE SPEC	PART B	PART A	TYPE

RELAY TYPE

Ⓔ Ⓓ NOTES:

1.LOT NO. SYSTEM AS FOLLOWING:

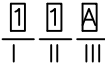


Ⓔ 2.TERMINAL DIMENSION IS BEFORE SOLDER DIP;

Ⓔ 3.FOR THE TIN-PLATING OF THE PINS:  
+0.1mm FOR WIDTH,THICKENSS AND DIAMETER.  
+0.5mm FOR LENGTH.

Ⓕ Ⓔ 4.USED WELDED CONTACT&LASER MARKING.

Ⓔ 6.ADD LOT NO. SYSTEM AS FOLLOWING;



I, DIGITS FOR DAY OF THE WEEK  
 1...MONDAY IN THIS WEEK;  
 2...TUESDAY IN THIS WEEK;  
 .....  
 7...SUNDAY IN THIS WEEK  
 II, DIGITS FOR SHIFT OF THE DAY  
 1...DAY SHIFT IN THIS DAY;  
 2...NIGHT SHIFT IN THIS DAY;  
 III, ONE CHARACTER DISTINGUISH THE LINE IDENTITY, SUCH AS: A,B.....Z

Diagram dimension	Tolerance
0.99mm max.	±0.1mm
1 - 2.99mm	±0.2mm
3mm min.	±0.3mm

		EPOXY RESIN	SEAL (BASE & BOBBIN)	15
		3UEW	MAGNETIC WIRE	14
94V-0		P.B.T	CASE	13
94V-0		P.B.T	BASE	12
94V-0		P.B.T	BOBBIN	11
	SOLDER DIP	C.P WIRE	COIL TERMINAL	10
94V-0		P.P.S	CARD	9
		Ag	MOVABLE CONTACT	8
		Ag	NO.CONTACT	7
		STEEL	HINGE SPRING	6
	SOLDER DIP	Cu ALLOY	NO.TERMINAL	5
	SOLDER DIP	Cu ALLOY	MOVABLE SPRING	4
	NIP	STEEL	CORE	3
	NIP	STEEL	ARMATURE	2
	NIP	STEEL	YOKE	1
INCOMBUSTIBILITY	TREATMENT	MATERIAL	DESCRIPTION	ITEM

THIS DRAWING IS A CONTROLLED DOCUMENT.		DWN	H.SASAKI	-
DIMENSIONS: mm		CHK	Y.OIKAWA	-
TOLERANCES UNLESS OTHERWISE SPECIFIED:		APVD	A.NAGAI	-
0 PLC ± -		PRODUCT SPEC	-	-
1 PLC ± -		APPLICATION SPEC	-	-
2 PLC ± -		WEIGHT	-	-
3 PLC ± -		CUSTOMER DRAWING	-	-
4 PLC ± -		SCALE	5:1	SHEET 2 OF 2
ANGLES ± -		DRAWING NO	G=1461035	
FINISH		RESTRICTED TO	-	
MATERIAL		REV	G	



OJE-SS-LM CUSTOMER DRAWING