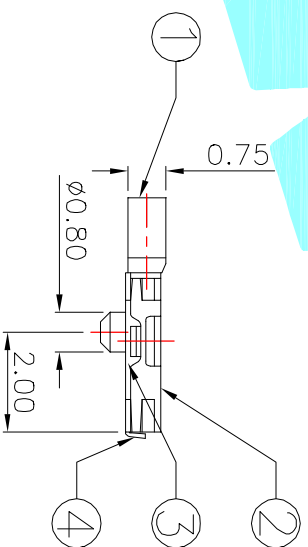
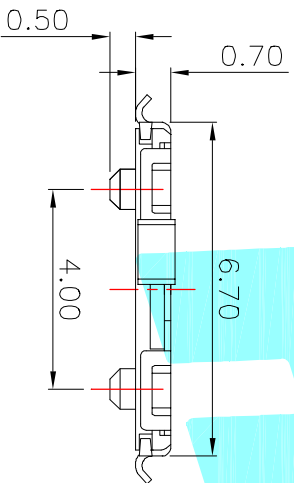


PCB Layout(Pattern side)

Circuit Diagram  
C: Common Pin



Note:  
1. Operating force: 100±10gf  
2. Travel: 1.50mm

ITEM	PART NAME	TER'NO.	QTY.	MATERIAL	FINISHING	REMARK
⑤	Contact Spring	—	1	Phosphor Bronze	Ag Plated	—
④	Terminal	—	3	Phosphor Bronze	Ag Plated	—
③	Base	—	1	NYLON	Black	—
②	Cover	—	1	SUS	Sn Plated	—
①	KNOB	—	1	NYLON	Black	—

APPROVALS		DATE	TITLE:	
DRAWN	J.X.Zhang	2013/10/11	TOGGLE SWITCHES	
CHECKED			ELECTRONICS CO.,LTD	

ECN NO.	REV.	DATE.	DESCRIPTION.	CHANGE.	CHECK.	APPRO.	TOLERANCES ARE	ANGLE	UNIT:	SCALE:	PROJ:	SHEET
	A		NEW				30°±0.1°	±0.30	mm	K3-1203S-E1	PROJ:	1 OF 1
							10~30	±0.20				
							5~10	±0.15				
							~5	±0.10				