

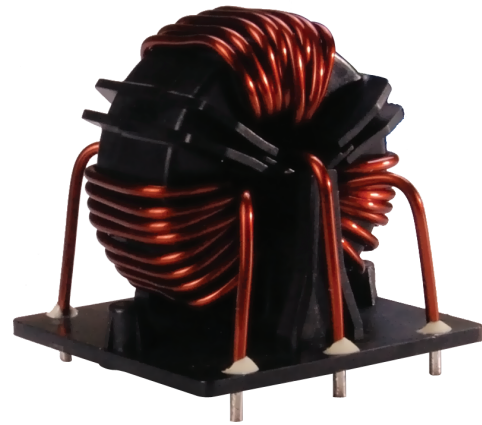
Model:LB231-25-05L

**Characteristics:**

It is used for switching power supply, suppressing common mode interference signal.

**Technical index:**

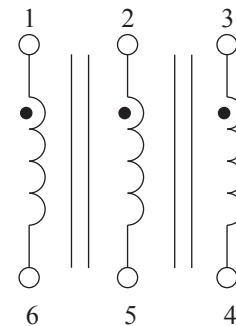
- Installation method: PCB
- Flame resistance: UL94-V0
- Operating temperature: -20°C ~ +100°C
- Storage temperature: -40°C ~ +100°C
- Frequency range: DC ~ 400Hz
- Dielectric strength: 2.5KV/1min (between two coils)



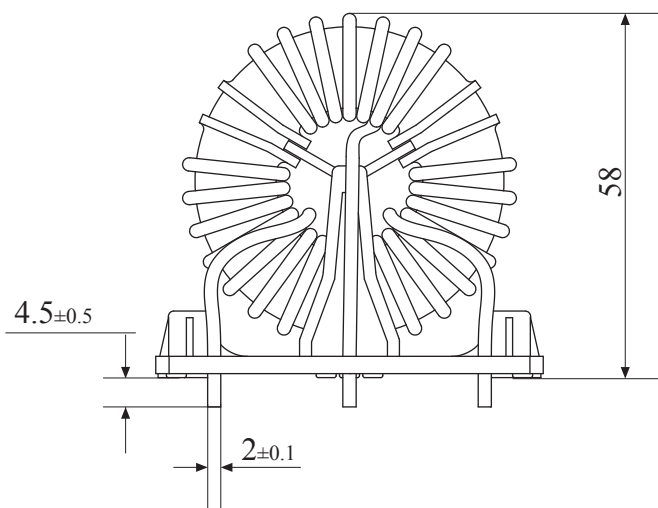
**Electrical parameters:**

Rated current	25	A
Inductance 1KHz,0.3V	0.47	mH
Inductance error	-30 ~ +50	%
DC resistance	2.4	mΩ
Maximum operating voltage	600V AC 1000V DC	
Weight	180	g

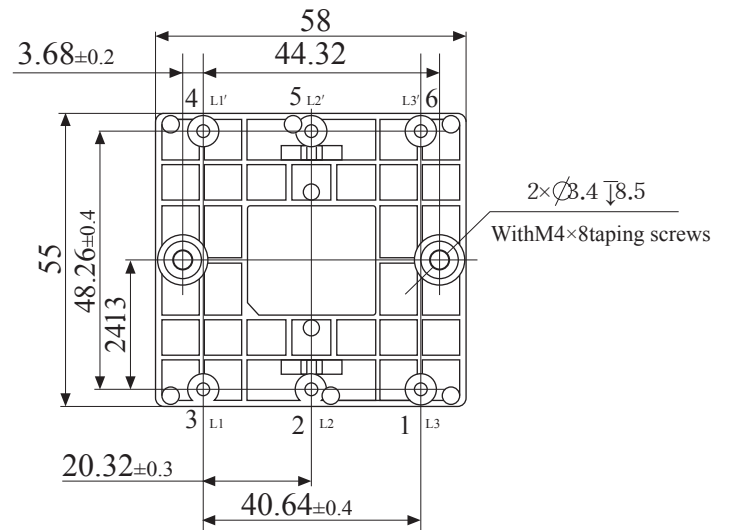
**Schematic wiring diagram:**



**Dimensions(in mm):**



Front View



Bottom View