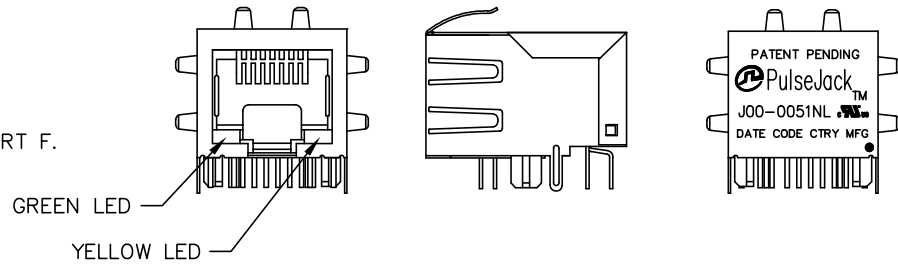




NOTES:

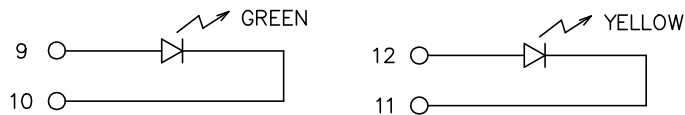
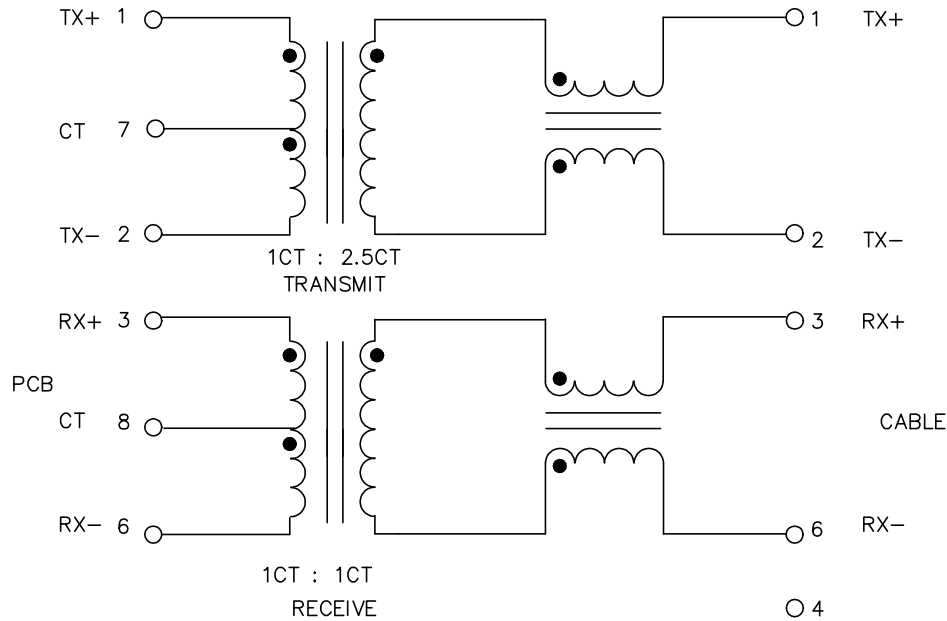
1. ROHS COMPLIANT
2. PLASTIC HOUSING: THERMOPLASTIC MATERIAL WITH FLAMMABILITY RATING UL 94V-0 OR BETTER.
3. CONTACTS PLATING: 15 MICRO-INCH GOLD PLATING.
4. CONTACTS BASE MATERIAL: PHOSPHOR BRONZE
5. UNDER PLATING: 50u INCHES NICKEL
6. SOLDER TAIL PLATING : 100-300 uINCHES 100% TIN, MATTE FINISH.
7. METAL SHIELD: NICKEL PLATING ON COPPER ALLOY.
8. JACK CAVITY CONFORMS TO FCC RULES AND REGULATIONS PART 68 SUBPART F.
9. PCB PLATING: ENIG
10. STORAGE TEMPERATURE: -20°C TO +125°C
11. COMPLIANCE TO J-STD:
  - A. J-STD-002: SOLDERABILITY AT 245°C DIP AND LOOK TEST
  - B. J-STD-020: LEVEL 1, NO MOISTURE SENSITIVE
  - C. J-STD-075: W2, 270°C MAXIMUM THROUGH WAVE SOLDER



FINAL OUTLINE

© Copyright, 2019. Pulse Electronics Corp. All rights reserved. Pulse confidential & proprietary. (04/17/19)

PRODUCT DESCRIPTION	TLA DRAWING	PS DRAWING	SHEET	PART NO.	DATASHEET REV.
CONN,RJ45,1X1,100D,1: 2.5,TU	J00-0051NL-11	PS-2204.003-B	1 OF 4	J00-0051NL	A



SCHMATIC

ELECTRICAL CHARACTERISTICS AT +25°C UNLESS OTHERWISE SPECIFIED  
(FOR REFERENCE ONLY. USED FOR CUSTOMER INFORMATION.)

PARAMETER	SPECIFICATIONS		
OPERATING TEMP	0°C TO +70°C		
POLARITY	PER SCHEMATIC		
INSERTION LOSS	100 KHz	5 MHz	10 MHz
	-2.0 dB MAX	-1.0 dB MAX	-1.0 dB MAX
RETURN LOSS (Z OUT = 100 OHM)	5 MHz		10 MHz
	-18 dB MIN		-14 dB MIN
CROSSTALK, ADJACENT CHANNELS	1 MHz	5-20 MHz	
	-50 dB MIN	-45+17*LOG <sub>10</sub> (f/5) dB MIN	
COMMON MODE REJECTION RATIO	5 MHz		50-200 MHz
	-40 dB MIN		-10+41*LOG <sub>10</sub> (f/200) dB MIN
INPUT - OUTPUT ISOLATION	1500 VRMS MIN @ 60 SECONDS		

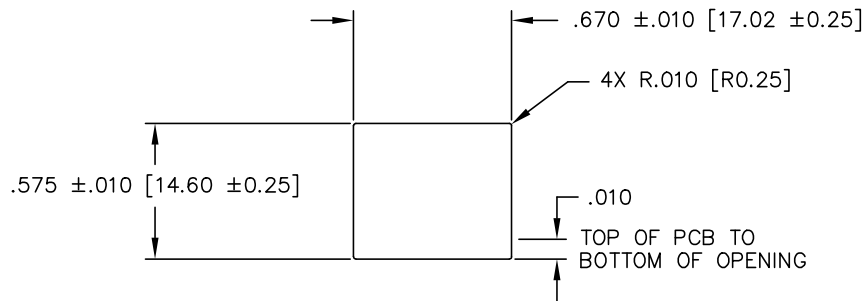
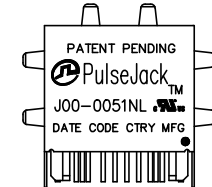
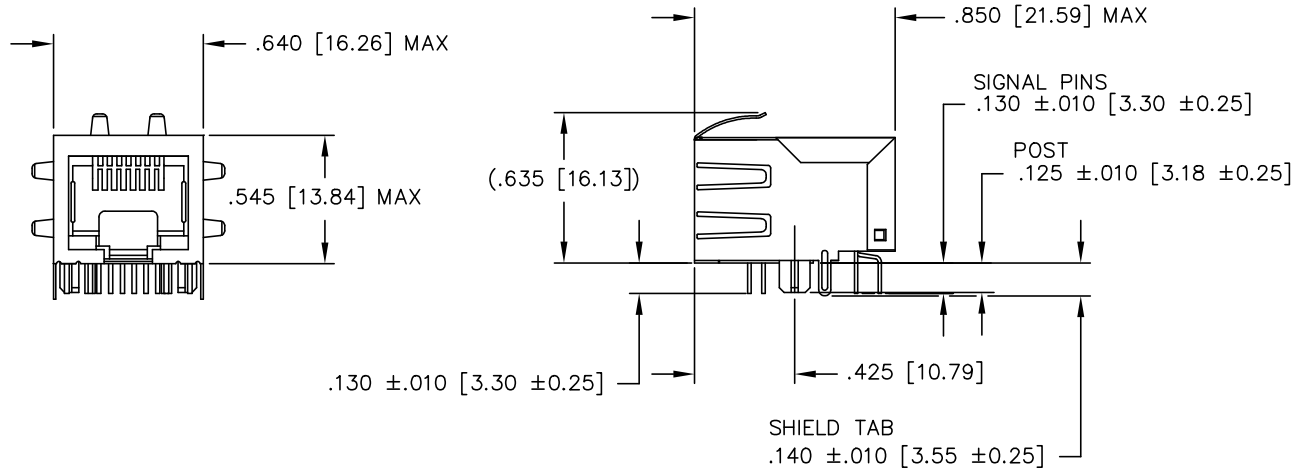
NOTE: f IS FREQUENCY IN MHZ.

EMMITTED COLOR	GREEN	YELLOW
WAVELENGTH (nm)	568 nM	585 nM
BRIGHNESS (mCD)	12 TYP. @ 20mA	10 TYP. @ 20mA
VIEWING ANGLE	100°	100°
POWER DISSIPATION (Pd)	68 mW MAX	68 mW MAX
DC FORWARD CURRENT	150 mA MAX	150 mA MAX
FORWARD VOLTAGE (Vf)	2.2 TO 2.7 VOLTS	2.1 TO 2.7 VOLTS
REVERSE VOLTAGE (Vr)	5.0 V MAX	5.0 V MAX

NOTE: PER VENDOR'S SPECIFICATIONS

© Copyright, 2019. Pulse Electronics Corp. All rights reserved. Pulse confidential & proprietary. (04/17/19)

PRODUCT DESCRIPTION	TLA DRAWING	PS DRAWING	SHEET	PART NO.	DATASHEET REV.
CONN,RJ45,1X1,100D,1: 2.5,TU	J00-0051NL-11	PS-2204.003-B	2 OF 4	J00-0051NL	A

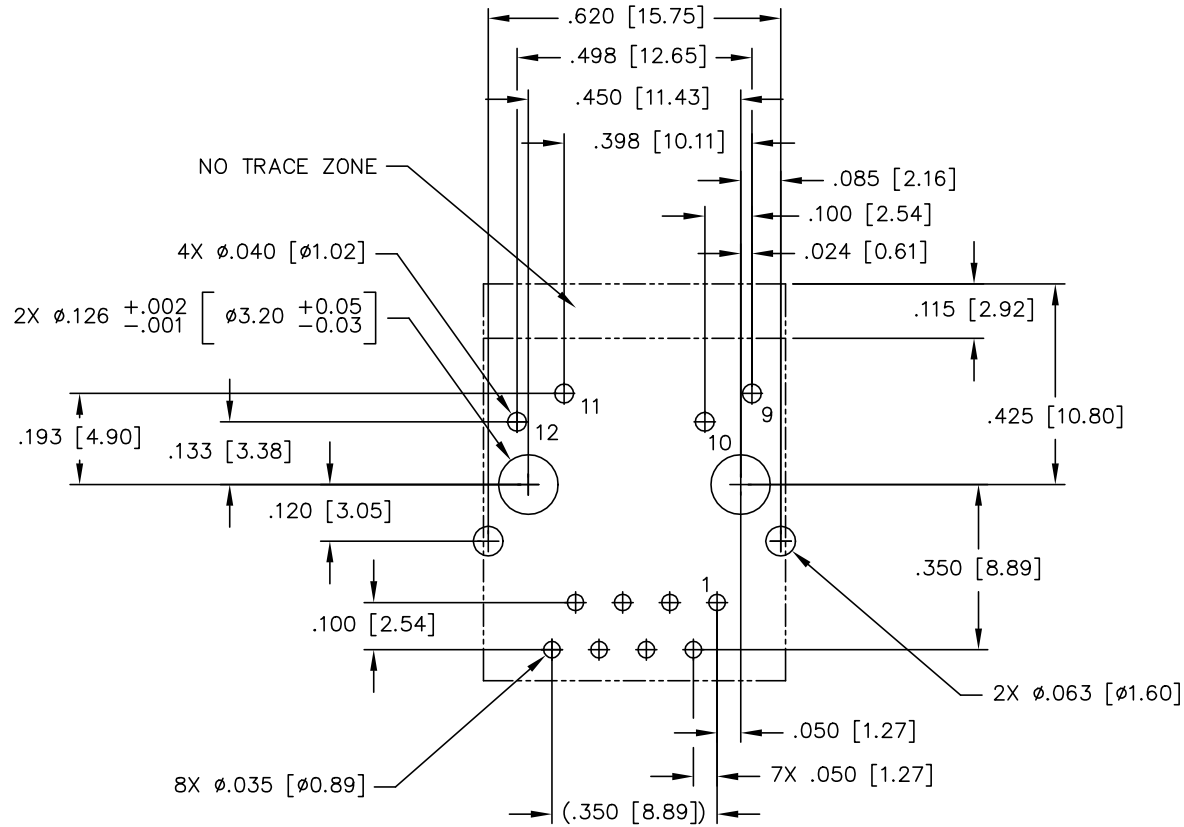


RECOMMENDED PANEL CUTOUT

DIMENSIONS ARE IN INCHES [MILLIMETERS] WITH THE FOLLOWING TOLERANCES: [MILLIMETERS] ARE FOR REFERENCE ONLY.  
.XXX =  $\pm .010 [\pm 0.25]$

© Copyright, 2019, Pulse Electronics Corp. All rights reserved. Pulse confidential & proprietary. (04/17/19)

PRODUCT DESCRIPTION	TLA DRAWING	PS DRAWING	SHEET	PART NO.	DATASHEET REV.
CONN,RJ45,1X1,100D,1: 2.5,TU	J00-0051NL-11	PS-2204.003-B	3 OF 4	J00-0051NL	A



SUGGESTED PC BOARD LAYOUT VIEWED FROM COMPONENT SIDE  
PCB LAYOUT DIMENSIONS TO BE  $\pm 0.002$  UNLESS OTHERWISE SPECIFIED  
SCALE: 4/1

DIMENSIONS ARE IN INCHES [MILLIMETERS] WITH THE FOLLOWING  
TOLERANCES: [MILLIMETERS] ARE FOR REFERENCE ONLY.  
.XXX=  $\pm 0.002$  [ $\pm 0.05$ ]

© Copyright, 2019. Pulse Electronics Corp. All rights reserved. Pulse confidential & proprietary. (04/17/19)

PRODUCT DESCRIPTION	TLA DRAWING	PS DRAWING	SHEET	PART NO.	DATASHEET REV.
CONN,RJ45,1X1,100D,1: 2.5,TU	J00-0051NL-11	PS-2204.003-B	4 OF 4	J00-0051NL	A