

Data Sheet

PD0900U06-150

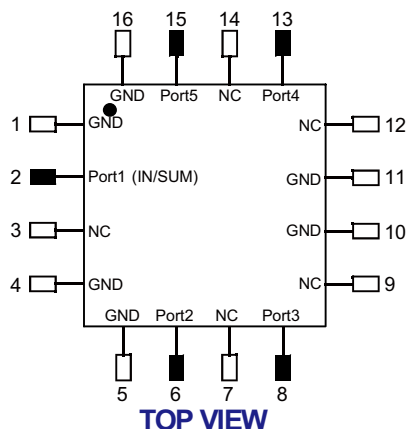
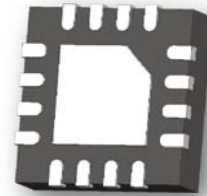
Power Divider/Combiner

4-Way 0° 50Ω 820-960 MHz



Features

- Small Size (3×3mm QFN package)
- Passive RF IC, no need external DC power supply
- No need external 100 Ω resistor
- Very Low Loss
- Tight Amplitude Balance
- High Isolation
- Low VSWR
- Good Repeatability
- Tape & Reel
- Operating Temperature -40°C~85°C
- Power handling
 - 2 Watts as a divider
 - 0.5 Watts as a combiner



TOP VIEW

Notes:

1. Require to add Capacitors of DC Blocker between Pins(with black color) and external circuit to prevent DC signal entry to guranteeparts normal work.
2. This part has passed through 100% RF test.

Electrical Specifications at 25° C

Parameter	Symbol	Min	Typ	Max	Unit
Frequency Range	F	820		960	MHz
Insertion Loss (Above 6dB)	I_L	0.6	0.65	0.75	dB
Isolation	Isol	15		33	dB
Phase balance	\varnothing_{bal}		1		deg
Amplitude balance	A_{bal}		0.05~0.12		dB
Input VSWR			1.1~1.25		:1
Output VSWR			1.1~1.20		:1

Applications

- Wireless communications
- WLAN / WiMax
- SAT Radio
- ISM band instrument
- Information System for Automotive Safety

Yantel Corporation

A3.0

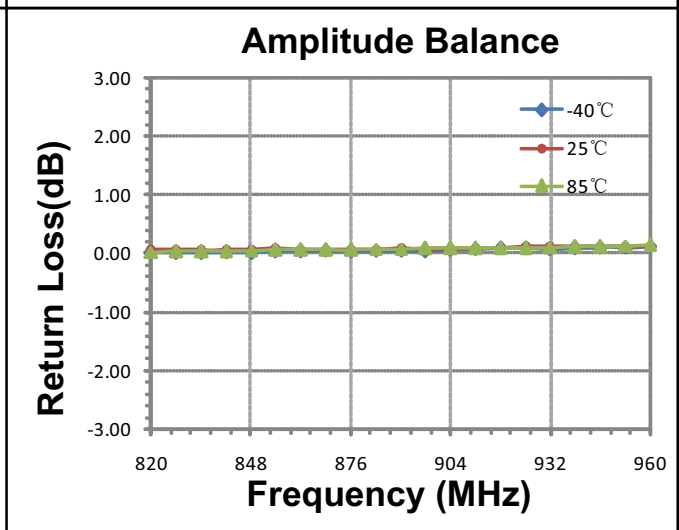
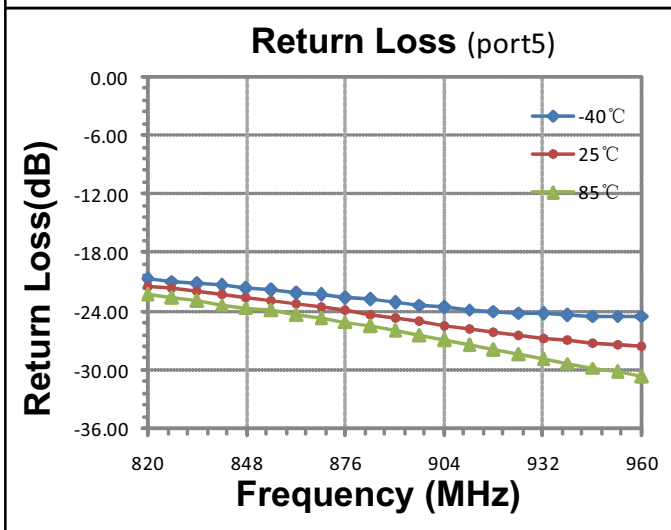
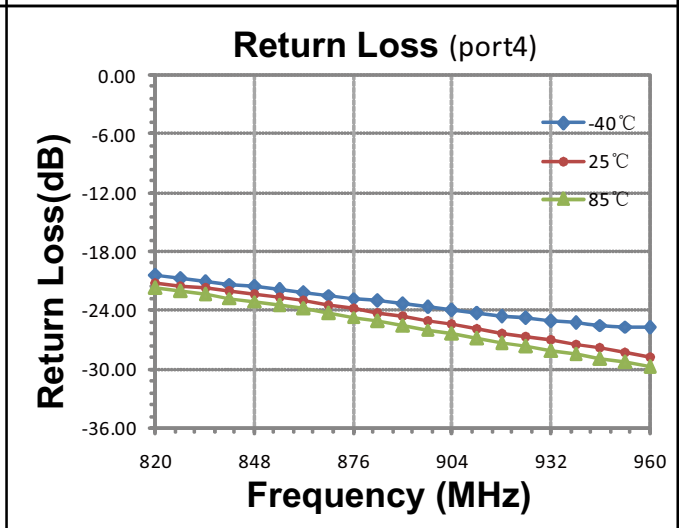
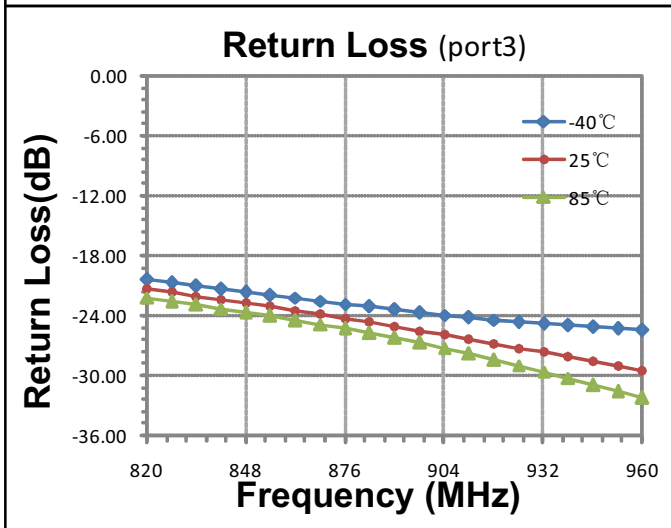
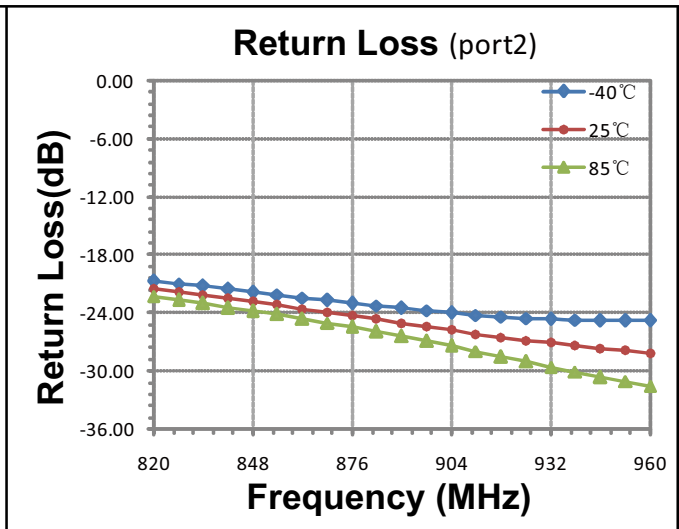
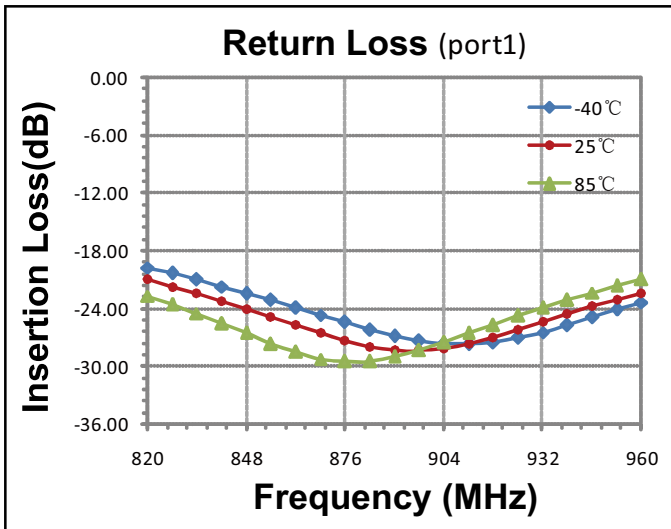
Add: 3F, Building 3, Southern District 2 of Zhongguan Honghualing Industrial Park, Xili, Nanshan, Shenzhen, China
Tel: 86-755-8355-1886 Fax: 86-755-8355-2533

For detailed performance specs & shopping online see Yantel web site : www.yantel-corp.com

Data Sheet

PD0900U06-150

Power Divider/Combiner
4-Way 0° 50Ω 820-960 MHz



Yantel Corporation

A3.0 Add: 3F, Building 3, Southern District 2 of Zhongguan Honghualing Industrial Park, Xili, Nanshan, Shenzhen, China
Tel: 86-755-8355-1886 Fax: 86-755-8355-2533

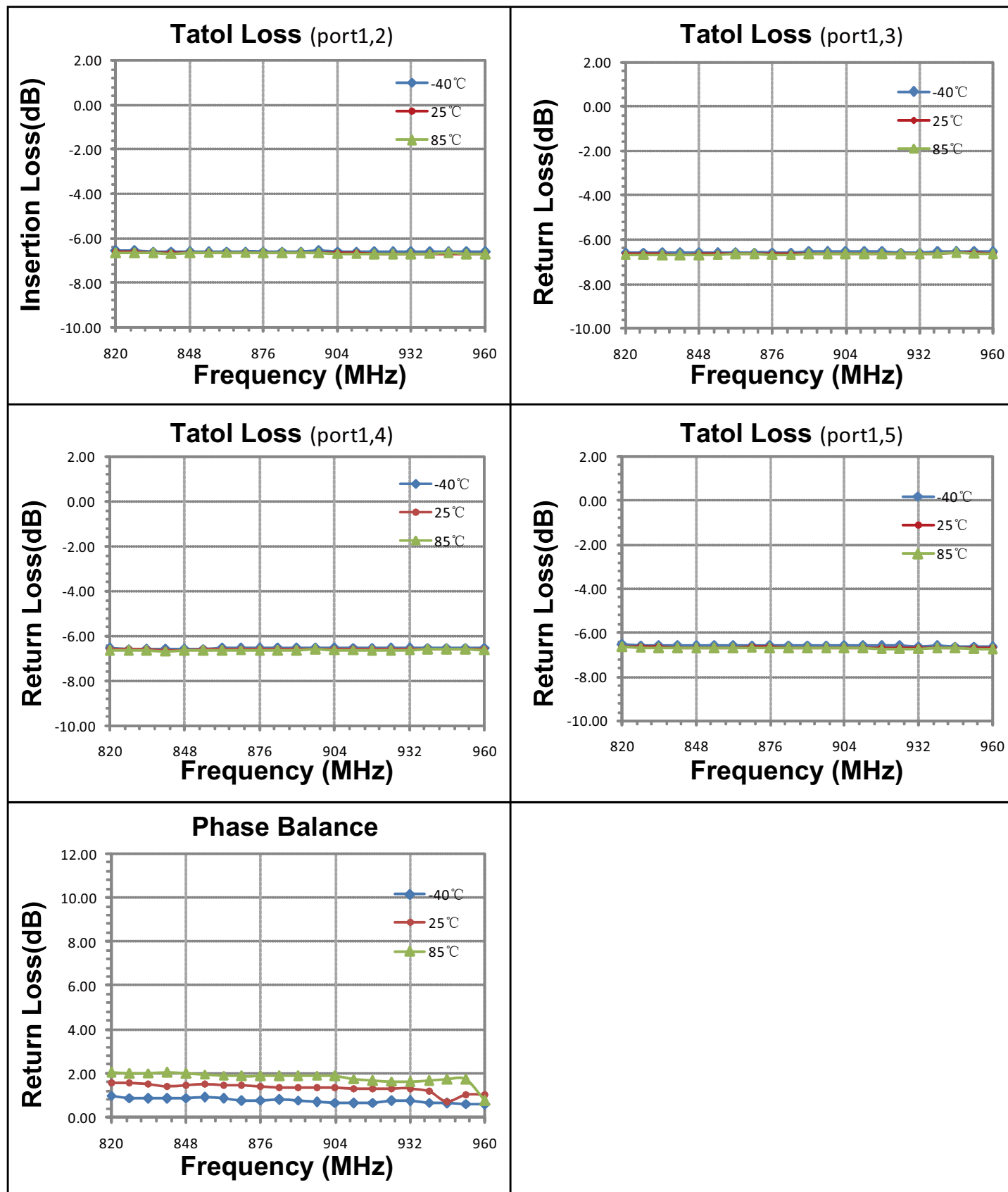
For detailed performance specs & shopping online see Yantel web site : www.yantel-corp.com

Data Sheet

PD0900U06-150

Power Divider/Combiner

4-Way 0° 50Ω 820-960 MHz



Yantel Corporation

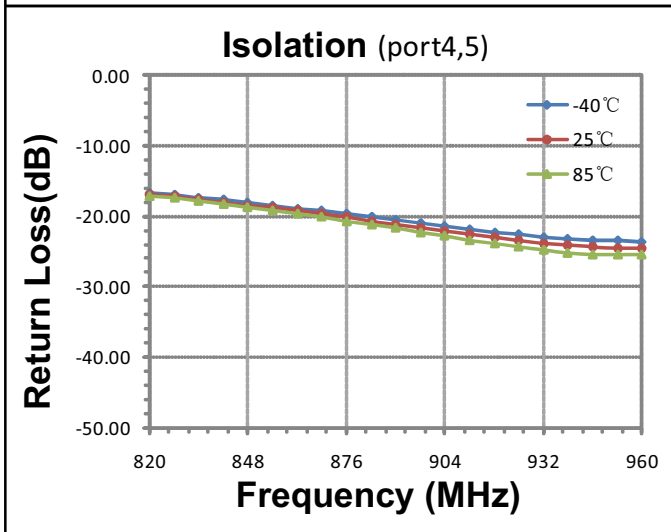
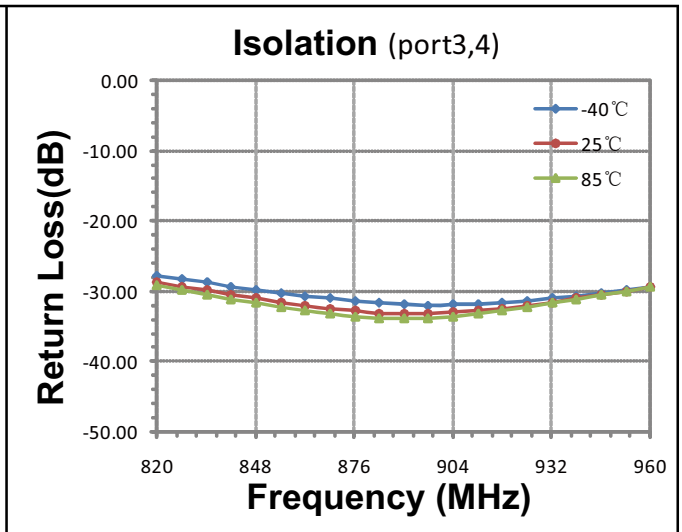
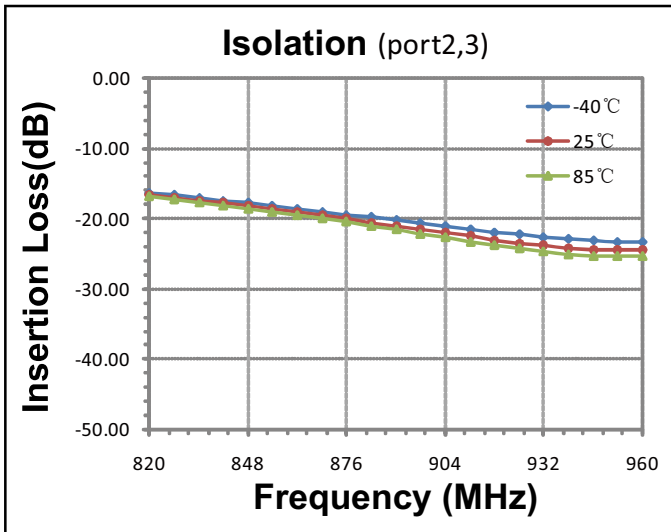
A3.0

Add: 3F, Building 3, Southern District 2 of Zhongguan Honghualing Industrial Park, Xili, Nanshan, Shenzhen, China

Tel: 86-755-8355-1886 Fax: 86-755-8355-2533

For detailed performance specs & shopping online see Yantel web site : www.yantel-corp.com

Data Sheet
PD0900U06-150
Power Divider/Combiner
4-Way 0° 50Ω 820-960 MHz



Yantel Corporation

A3.0 Add: 3F, Building 3, Southern District 2 of Zhongguan Honghualing Industrial Park, Xili, Nanshan, Shenzhen, China
 Tel: 86-755-8355-1886 Fax: 86-755-8355-2533
 For detailed performance specs & shopping online see Yantel web site : www.yantel-corp.com

Data Sheet

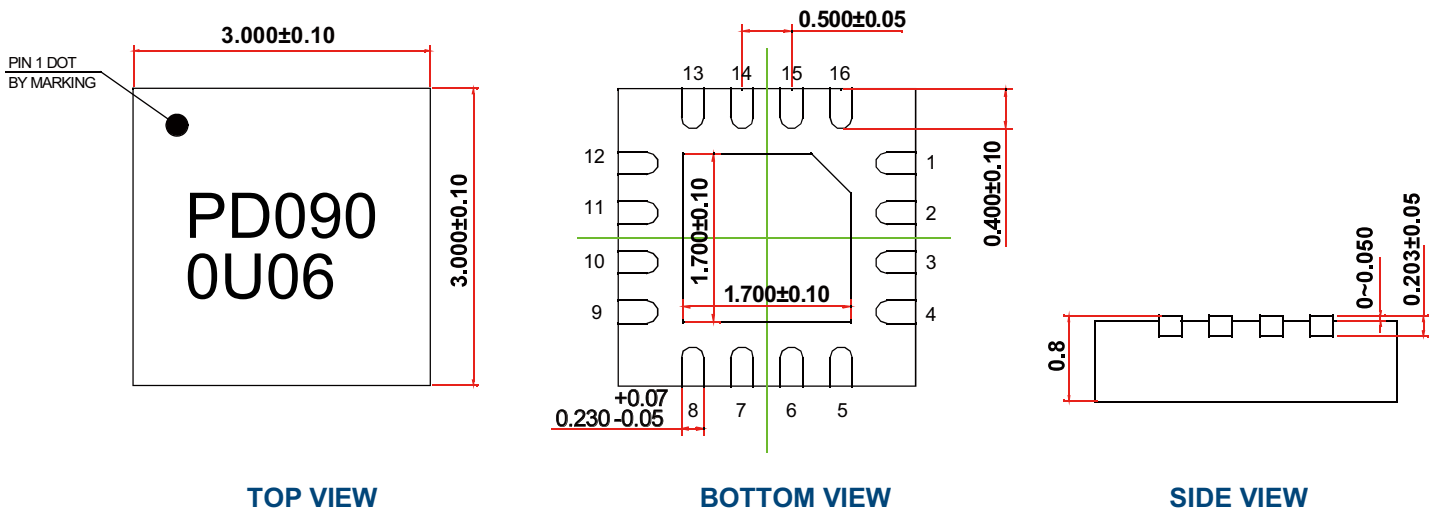
PD0900U06-150

Power Divider/Combiner

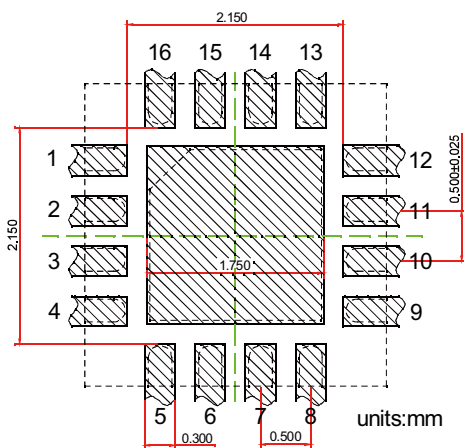
4-Way 0° 50Ω 820-960 MHz



Outline Drawing



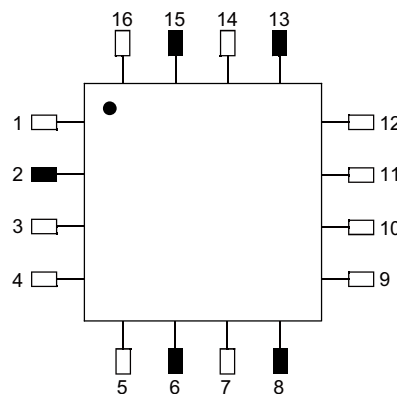
Land Pattern



Recommended Land Pattern
Top View

Notes: All dimensions show in millimeters

Pin Out



TOP VIEW

Notes:

1. Require to add Capacitors of DC Blocker between Pins (with black color) and external circuit to prevent DC signal entry to gurante -e parts normal work.
2. This part has passed through 100% RF test.

Pin #	Connection
1	GND
2	PORT 1 (IN/SUM)
3	NC
4	GND
5	GND
6	PORT 2
7	NC
8	PORT 3
9	NC
10	GND
11	GND
12	NC
13	PORT 4
14	NC
15	PORT 5
16	GND
Center Pad	GND

Yantel Corporation

A3.0

Add: 3F, Building 3, Southern District 2 of Zhongguan Honghualing Industrial Park, Xili, Nanshan, Shenzhen, China
Tel: 86-755-8355-1886 Fax: 86-755-8355-2533

For detailed performance specs & shopping online see Yantel web site : www.yantel-corp.com