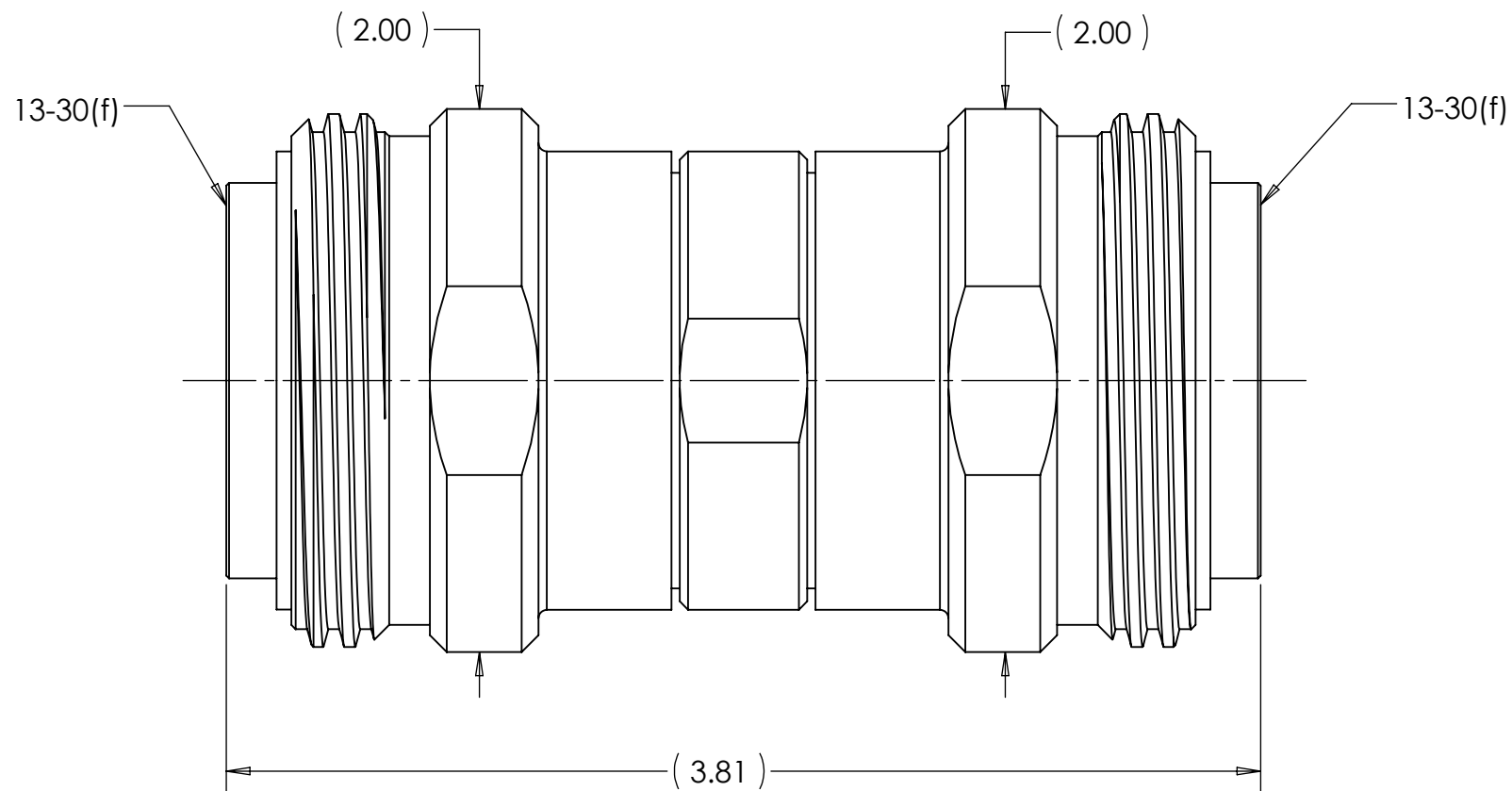
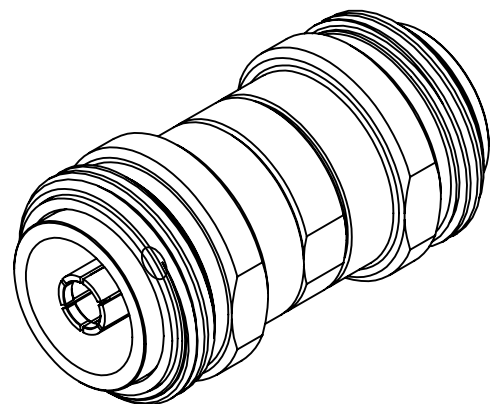


This document, including the design, configuration and mechanical features revealed herein are the sole, confidential and proprietary property of TRU Corporation. Reproduction or use thereof, in whole or part, is prohibited without the prior written consent of TRU Corporation.

REV.	DESCRIPTION	DATE	APPROVED
-	ORIGINAL ISSUE	12/28/11	AM



**ENGINEERING DATA:**


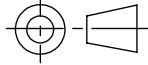
ELECTRICAL:  
 IMPEDANCE: 50 OHMS NOMINAL  
 FREQUENCY RANGE: DC to 4GHz

MECHANICAL:  
 INTERFACE: 13-30 PER IEC 60169-5

MATERIAL:  
 CENTER CONTACTS: BRASS & BERYLLIUM COPPER  
 INSULATORS: PTFE  
 BODIES: BRASS  
 GASKET: SILICONE RUBBER

FINISH:  
 CENTER CONTACTS: SILVER PLATED  
 BODIES: NICKEL PLATED

NOTES:  
 1. UNLESS OTHERWISE SPECIFIED; ALL DIMENSIONS ARE FOR REFERENCE ONLY.

MATERIAL	DO NOT SCALE DRAWING	DRAWN AM	DATE 12/22/11	 <b>TRU Corporation</b> 245 Lynnfield St, Peabody, MA 01960 <i>EXPERIENCE. TRU INNOVATION.</i>
	UNLESS OTHERWISE SPECIFIED: DIMENSIONS ARE IN INCHES  TOLERANCES: FRACTIONS: ±1/64 .XX : ±.01 .XXX: ±.005 ANGLES: ±1/2° MACHINED SURFACES: 63/√	ENG APPR. AM	DATE 12/22/11	
MFG APPR.		DATE		
OTHER APPR.		DATE		
COMMENTS:	THIRD ANGLE PROJECTION 	SIZE <b>B</b>	DWG. NO. TRU-11880	REV -
surface area: sq inch weight: 1.71 lbs		CAGE CODE: 92180	SCALE: 3:2	SHEET 1 OF 1