

1

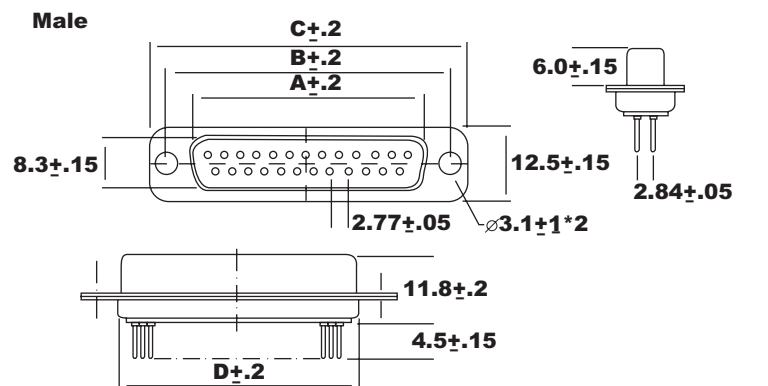
2

3

4

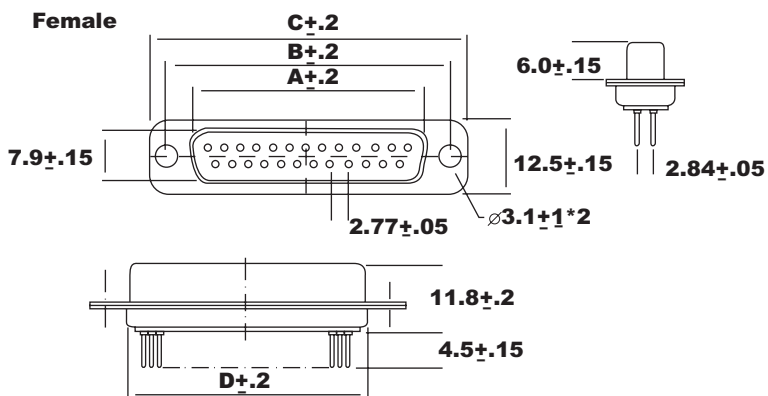
A

A



B

B



C

C

**Features and Options:**

- Available in 9, 15, 25, 37 and 50 positions
- Male and Female Versions
- Available with hardware options such as threaded inserts and hex stands-offs

**Specification:**

**Materials:**

Shell: Tin Plated Steel  
 Insulator: PBT Thermo Plastic, Black Color, 30% Glass Filled  
 Self-Extinguishing, UL94V-0 rated  
 Contact Material: Pin: Brass, Socket: Phosphor Bronze  
 Contact Plating: Gold over Nickel

**Electrical:**

Current Rating: 5.0 Amps  
 Dielectric Strength: 1000 VAC min.  
 Insulation Resistance: 5000m ohm min  
 Operating Temperature Range: -55°C~ +125°C

Dimensions

Male

# of Pins	A	B	C	D
9	16.92	25.00	30.80	19.20
	.666	.984	1.21	.756
15	25.25	33.30	39.20	27.70
	.994	1.31	1.54	1.09
25	38.96	47.10	53.10	41.10
	1.53	1.85	2.09	1.62
37	55.42	63.50	69.40	57.30
	2.18	2.50	2.73	2.26
50	52.81	61.00	67.00	55.10
	2.08	2.40	2.63	2.17

Female

9	16.30	25.00	30.80	19.20
	.642	.984	1.21	.756
15	24.60	33.30	39.20	27.70
	.969	1.31	1.54	1.09
25	38.30	47.10	53.10	41.10
	1.51	1.85	2.09	1.62
37	54.80	63.50	69.40	57.30
	2.16	2.50	2.73	2.26
50	52.20	61.00	67.00	55.10
	2.06	2.40	2.63	2.17

D

D

Description

Name :  
**A-DX09PP-TL-B**  
 D-Sub Connector Solder Tail

**ASSMANN**  
 Electronic Components

**RoHS**  
 Compliant

THIS DRAWING IS UNPUBLISHED

© Copyright 2005 by Assmann Electronic Components All International Rights Reserved

This drawing is a controlled document for Assmann Electronics, Inc. It is subject to change and the controlling engineering organization should be contacted for the latest revision.

1

2

3

4