

(2,00 mm) .0787"

EHT, EC2 SERIES

# SHROUDED IDC EJECTOR HEADER

## SPECIFICATIONS

For complete specifications and recommended PCB layouts see [www.samtec.com?EHT](http://www.samtec.com?EHT)

**Insulator Material:** Black Liquid Crystal Polymer  
**Terminal Material:** Phosphor Bronze  
**Plating:** Sn or Au over 50µ" (1,27 µm) Ni  
**Operating Temp Range:** -55°C to +125°C  
**RoHS Compliant:** Yes

**Processing:** Lead-Free Solderable: Yes  
**SMT Lead Coplanarity:** (0,10 mm) .004" max

## RECOGNITIONS

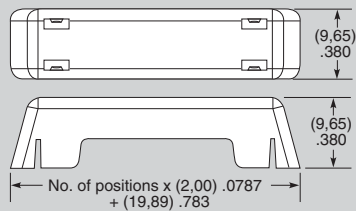
For complete scope of recognitions see [www.samtec.com/quality](http://www.samtec.com/quality)



Mates with: TCSD

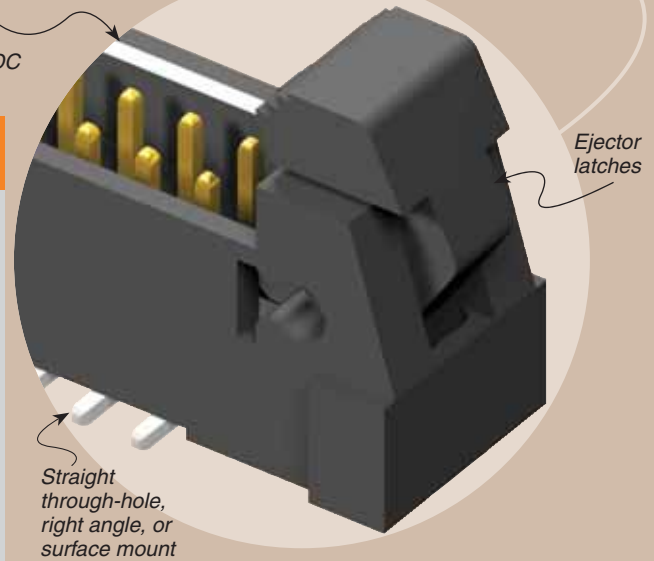
Ten standard sizes mate with common 2 mm IDC cable assemblies

### EJECTOR HEADER CAP (Locks TCSD cable to EHT header)



EC2 — NO. PINS PER ROW

05, 08, 10, 12, 13, 15, 17, 20, 22, 25



05, 08, 10, 12, 13, 15, 17, 20, 22, 25

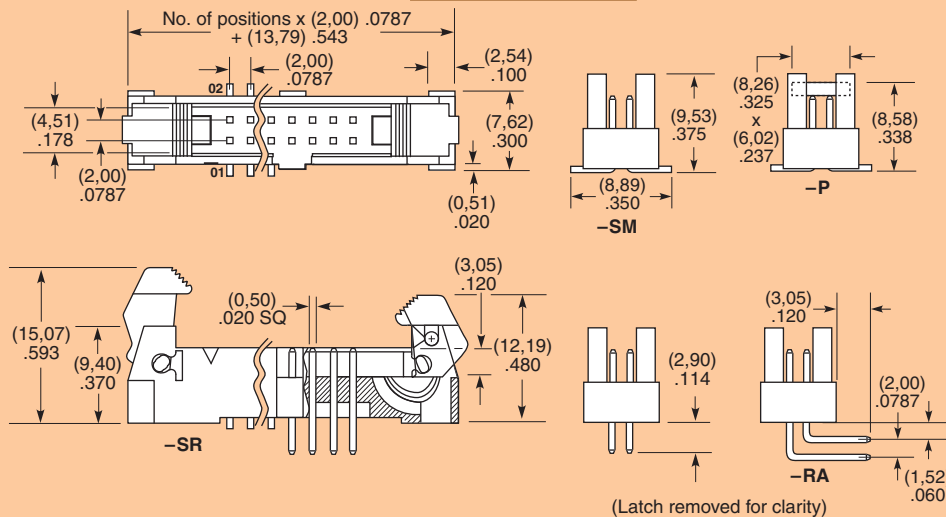
-F = Gold flash on post, Matte Tin on tail  
 -L = 10µ" (0,25 µm) Gold on post, Matte Tin on tail

Leave blank for Through-hole  
 -RA = Right Angle  
 -SM = Surface Mount

- "XX" = Polarized Position  
 -SR = Strain Relief (Leave Blank for no strain relief)  
 -LC = Locking Clip (-SM only) (Manual placement required)  
 -K = (6,50 mm) .256" DIA Polyimide Film Pick & Place Pad (-SM only)  
 -P = Pick & Place Pad (-SM only)  
 -TR = Tape & Reel (-SM only)

## ALSO AVAILABLE (MOQ Required)

- Other platings
- Contact Samtec.



**Note:** Some lengths, styles and options are non-standard, non-returnable.

Due to technical progress, all designs, specifications and components are subject to change without notice.

[WWW.SAMTEC.COM](http://WWW.SAMTEC.COM)