

PLEASE CHECK WWW.MOLEX.COM FOR LATEST PART INFORMATION

Part Number: [0542969431](#)
Status: **Active**
Overview: [minihmc](#)
Description: HMC™ Rectangular Industrial Female Terminal, 54296, 16 AWG, White Retainer

Documents:

[Drawing \(PDF\)](#) [Product Specification PS-54478-001 \(PDF\)](#)
[Product Specification PS-54319-001 \(PDF\)](#) [RoHS Certificate of Compliance \(PDF\)](#)

General

Product Family	Crimp Terminals
Series	54296
Crimp Quality Equipment	Yes
Overview	minihmc
Product Name	HMC™

Physical

Gender	Female
Material - Metal	Brass
Material - Plating Mating	Silver
Packaging Type	Bag
Wire Insulation Diameter	3.60mm (.142") max.
Wire Size AWG	16
Wire Size mm²	N/A

Material Info

Reference - Drawing Numbers

Product Specification	PS-54319-001, PS-54478-001
Sales Drawing	SD-54296-9***

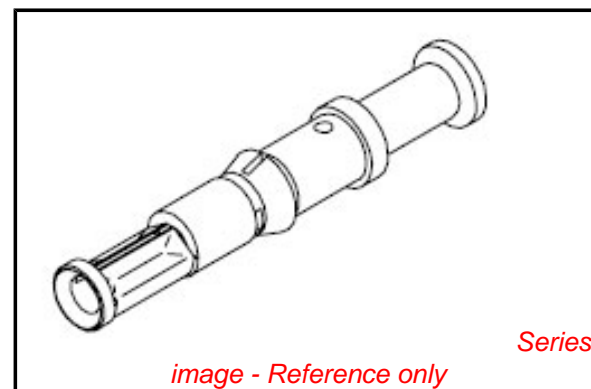


image - Reference only

EU RoHS **China RoHS**

Compliance Status

Not Reviewed

REACH SVHC

Not Reviewed

Halogen-Free

Status

Not Reviewed

Need more information on product environmental compliance?

Email productcompliance@molex.com
 For a multiple part number RoHS Certificate of Compliance, [click here](#)

Please visit the [Contact Us](#) section for any non-product compliance questions.

Search Parts in this Series

[54296Series](#)

Mates With

[55124](#)

Use With

[54479](#) housing, [54478](#) housing

Application Tooling | FAQ

Tooling specifications and manuals are found by selecting the products below. Crimp Height Specifications are then contained in the Application Tooling Specification document.

Global

Description	Product #
-------------	-----------

Insertion Tool	0638120600
----------------	----------------------------

Extraction Tool	0638131800
-----------------	----------------------------

Hand Crimp Tool	0638231800
-----------------	----------------------------

for HMC™ 1.60mm (.063") Crimp Terminals

Japan

Description	Product #
Hand Extraction Tool	0573886000

This document was generated on 06/01/2010

PLEASE CHECK WWW.MOLEX.COM FOR LATEST PART INFORMATION

DWG. NO. SD-54296-9***

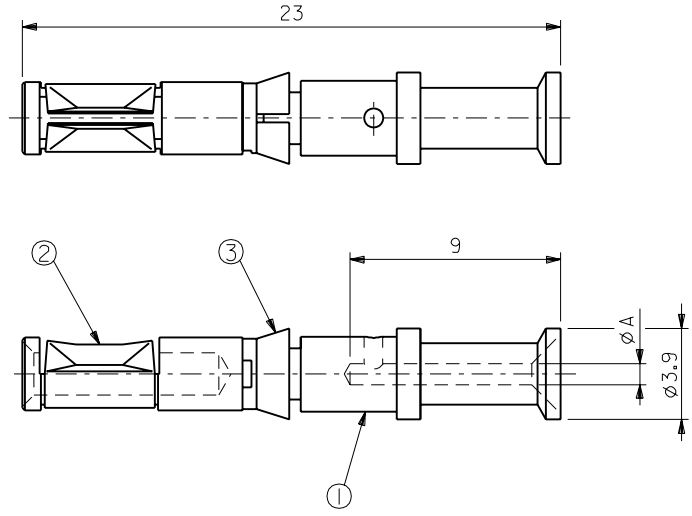
E

D

DIMENSIONS IN METRIC DO NOT SCALE DRAWING

A

部番 NO.	部品名 PARTS NAME	個数 QUAN.	材質 MATERIAL
①	Ø1.6ソケットコンタクト Ø1.6 SOCKET CONTACT	1	黄銅、銀メッキ BRASS,Ag PLATING
②	コンタクトスプリング CONTACT SPRING	1	ベリリウム銅、銀メッキ Be-Cu,Ag PLATING
③	リテーナー RETAINER	1	66 ナイロン NYLON 66



- 注) NOTES:
- 嵌合相手: 55124-4***
MATING SOCKET CONTACT: 55124-4***
 - 適用圧着工具(手動): 57388-5000
APPLICABLE CRIMP TOOL (HAND): 57388-5000
ロケータ: 58487-1000
LOCATOR: 58487-1000
 - 適用圧着工具(半自動): 57388-1000
APPLICABLE CRIMP TOOL (SEMI-AUTOMATIC): 57388-1000
 - 適用引き抜き工具: 57388-6100
APPLICABLE EXTRACTION TOOL: 57388-6100
 - 適用挿入工具: 57388-6200
APPLICABLE INSERTION TOOL: 57388-6200

8.5±0.4	3.6	2.0 ~ 2.5	#14	2.25	黒 BLACK	54296-9531
		1.25 ~ 1.5	#16	1.75	白 WHITE	54296-9431
		0.75 ~ 1.0	#18	1.45	青 BLUE	54296-9331
		0.5	#20	1.1	緑 GREEN	54296-9231
		0.14 ~ 0.37	#26~22	0.9	赤 RED	54296-9131
皮剥長さ(mm) STRIPPING LENGTH	被覆外径(φmmMAX.) INSULATION DIAMETER	断面積 (mm ²) SO (mm ²)	電線径 (AWG) WIRE SIZE (AWG)	A	リテーナー色 RETAINER COLOR	製品番号 ENG.NO.

適用電線範囲
APPLICABLE WIRE RANGE

材料 MATERIAL		表参照 SEE TABLE		molex MOLEX-JAPAN CO.,LTD. 日本モレックス株式会社	
仕上げ FINISH		表参照 SEE TABLE		REVISE ONLY ON CAD SYSTEM	
適用電線範囲 WIRE RANGE		表参照 SEE TABLE		TITLE 名称	
被覆外径 INS. RANGE		表参照 SEE TABLE		Ø1.6 SOCKET CONTACT ASS'Y (MACHINED TYPE)	
角度 ANGLE	±3°	変更内容 REVISION RECORD	DR. 日付 CHK. DATE	DRAWN BY CHK'D BY	尺度 SCALE
30以上 OVER	+0.3	B *** REVISED (JD90683)	Y.I	98/11/06	5-1
10以上 30未満 OVER UNDER	+0.25	A *** REVISED (JD80905)	N.M	97/12/25	
10未満 UNDER	+0.2	0 新規作成 RELEASED (JD80632)	Y.I	97/10/20	
一般公差 GENERAL TOLERANCES	記号 LTR	変更内容 REVISION RECORD	DR. 日付 CHK. DATE	APP'D BY DATE	尺度 SCALE
					5-1