

## Dual Channel Input/Output Isolators 15-RACK

(Operational voltage range 24 V  $\pm$ 10 %, ripple 10 %p-p max.)

### CT CONVERTER

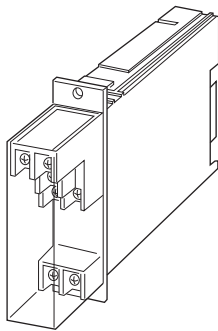
(RMS sensing)

#### Functions & Features

- Converting an alternating current from a current transformer into a standard process signal
- Minimum ripple
- 2 channels available; accomplishing economical and space-saving multi-input processing

#### Typical Applications

- Centralized monitoring and control of motors, pumps or heaters by DCS
- Monitoring power line and power supply current



## MODEL: 15CE-[1]6-R[2]

### ORDERING INFORMATION

- Code number: 15CE-[1]6-R[2]
- Specify a code from below for each [1] and [2]. (e.g. 15CE-16-R/Q)
- Specify the specification for option code /Q (e.g. /C01)

### [1] INPUT

#### Current

- 1: 0 - 1 A AC
- 5: 0 - 5 A AC

### OUTPUT

#### Voltage

- 6: 1 - 5 V DC (Load resistance 5000  $\Omega$  min.)

### POWER INPUT

#### DC Power

- R: 24 V DC

### [2] OPTIONS

blank: none

/Q: With options (specify the specification)

### SPECIFICATIONS OF OPTION: Q

**COATING (For the detail, refer to M-System's web site.)**

/C01: Silicone coating

/C02: Polyurethane coating

/C03: Rubber coating

### RELATED PRODUCTS

- EXTENDER CARD (model:10EC)  
Necessary to adjust span.

### GENERAL SPECIFICATIONS

**Construction:** Rack-mounted; terminal access via screw terminals at the front and via card-edge connector at the rear; terminal cover provided

#### Connection

**Input:** M3.5 screw terminals (torque 0.8 N·m)

**Output:** Card-edge connector and M3.5 screw terminals (torque 0.8 N·m)

**Power input:** Supplied from card-edge connector

**Screw terminal:** Nickel-plated steel

**Housing material:** Flame-resistant resin (black)

**Isolation:** Input to output or power; ch.1 input to ch.2 input

**Input waveform:** Up to 15 % of 3rd harmonic content

**Overrange output:** 0 to 120 %

**Zero adjustment:** -5 to +5 % (front)

**Span adjustment:** 95 to 105 % (top)

### INPUT SPECIFICATIONS

**Frequency:** 50 or 60 Hz

**Input burden:** 0.5 VA max.

**Overload capacity:** 500 % of rating for 5 sec., 120 % continuous

**Operational range:** 0 - 120 % of rating

### INSTALLATION

**Power consumption:** Approx. 10 mA

**Operating temperature:** -5 to +55°C (23 to 131°F)

**Operating humidity:** 30 to 90 %RH (non-condensing)

**Mounting:** Standard Rack 15BX

**Weight:** 180 g (0.40 lb)

## PERFORMANCE in percentage of span

Accuracy:  $\pm 0.4\%$

Temp. coefficient:  $\pm 0.02\%/^{\circ}\text{C}$  ( $\pm 0.01\%/^{\circ}\text{F}$ )

Response time:  $\leq 0.5$  sec. (0 - 90 %)

Ripple: 0.5 %p-p max. (100/120 Hz)

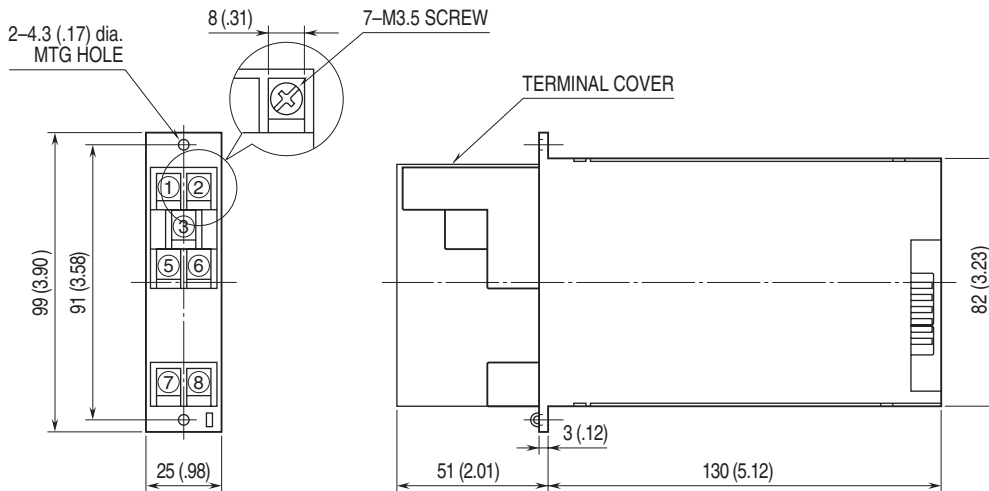
Line voltage effect:  $\pm 0.1\%$  over voltage range

Insulation resistance:  $\geq 100\text{ M}\Omega$  with 500 V DC

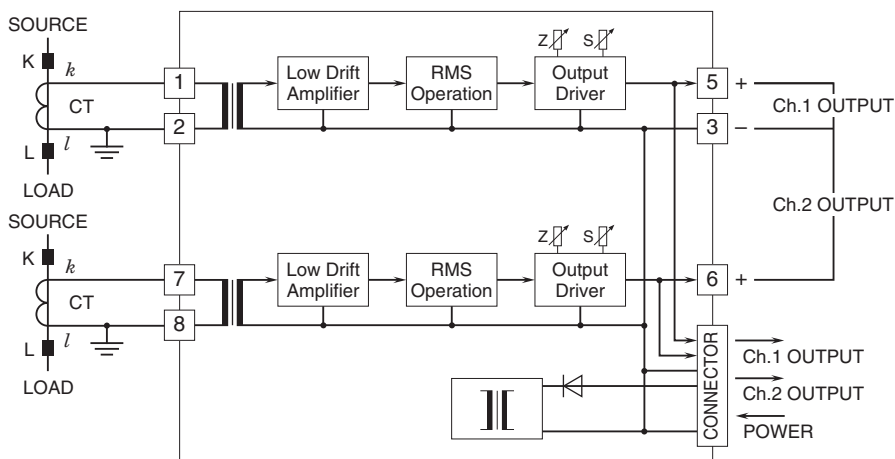
Dielectric strength: 2000 V AC @ 1 minute (input to output or power)

2000 V AC @1 minute (ch.1 to ch.2 input)

## EXTERNAL DIMENSIONS & TERMINAL ASSIGNMENTS unit: mm (inch)



## SCHEMATIC CIRCUITRY & CONNECTION DIAGRAM



Specifications are subject to change without notice.