

**PLEASE CHECK WWW.MOLEX.COM FOR LATEST PART INFORMATION**

**Part Number:** **0743205004**  
**Status:** **Active**  
**Description:** MicroCross™ DVI-D Digital Visual Interface, PCB Receptacle, Panel Mount, Through Hole, Vertical, Gold Flash, Lead Free, 2.34mm (.092") P.C. Tail Length, 24 Circuits

**Documents:**

[Drawing \(PDF\)](#) [Product Specification PS-74320-001 \(PDF\)](#)  
[Test Summary \(PDF\)](#) [RoHS Certificate of Compliance \(PDF\)](#)

**Agency Certification**

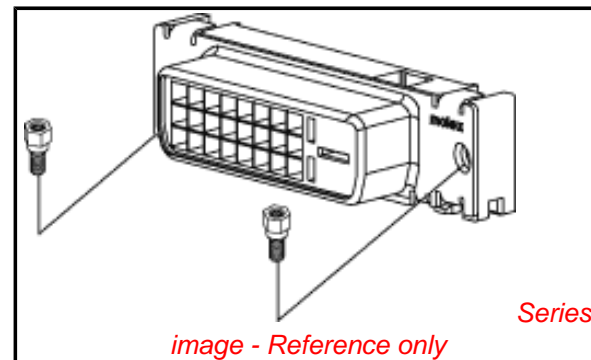
UL E29179

**General**

Product Family I/O Connectors  
 Series [74320](#)  
 Application Wire-to-Board  
 Comments DDWG (Digital Display Working Group) Standard  
 Component Type Receptacle  
 Product Name MicroCross™DVI  
 Type N/A

**Physical**

Boot Color N/A  
 Circuits (Loaded) 24  
 Circuits (maximum) 24  
 Color - Resin Natural  
 Durability (mating cycles max) 100  
 Flammability 94V-0  
 Gender Receptacle  
 Keying to Mating Part Yes  
 Lock to Mating Part Yes  
 Material - Metal Copper Alloy  
 Material - Plating Mating Gold  
 Material - Plating Termination Tin  
 Number of Rows 3  
 Orientation Vertical  
 PC Tail Length (in) 0.092 In  
 PC Tail Length (mm) 2.34 mm  
 PCB Locator Yes  
 PCB Retention Yes  
 Packaging Type Tray  
 Panel Mount Yes  
 Pitch - Mating Interface (in) 0.075 In  
 Pitch - Mating Interface (mm) 1.91 mm  
 Pitch - Term. Interface (in) 0.075 In  
 Pitch - Term. Interface (mm) 1.91 mm  
 Plating min: Mating (µin) 2  
 Plating min: Mating (µm) 0.05  
 Plating min: Termination (µin) 100  
 Plating min: Termination (µm) 2.50  
 Polarized to Mating Part Yes  
 Polarized to PCB Yes  
 Ports 1  
 Surface Mount Compatible (SMC) No  
 Temperature Range - Operating -20°C to +85°C  
 Termination Interface: Style Through Hole



*image - Reference only*

**EU RoHS**

**ELV and RoHS  
Compliant**  
**REACH SVHC**  
 Not Reviewed  
**Halogen-Free  
Status**  
**Not Reviewed**

**China RoHS**



**Need more information on product  
environmental compliance?**

Email [productcompliance@molex.com](mailto:productcompliance@molex.com)  
 For a multiple part number RoHS Certificate of Compliance, [click here](#)

Please visit the [Contact Us](#) section for any non-product compliance questions.

**Search Parts in this Series**

[74320Series](#)

**Mates With**

[88744](#) , [74323](#)

**Use With**

Hex Screw Kit [71781-0001](#) or [71781-0002](#)

Waterproof / Dustproof	No
Wire Size AWG	N/A
<b>Electrical</b>	
Current - Maximum per Contact	3A
Grounding to Panel	Yes
Shield Type	Full Shield
Shielded	Yes
Voltage - Maximum	40V AC (RMS)

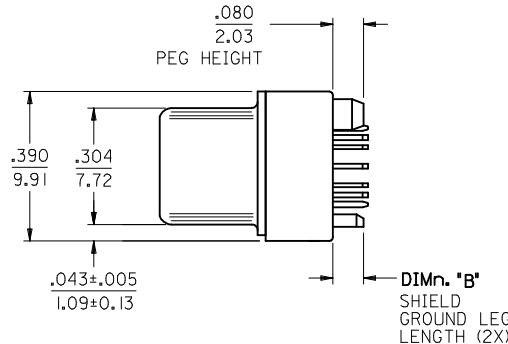
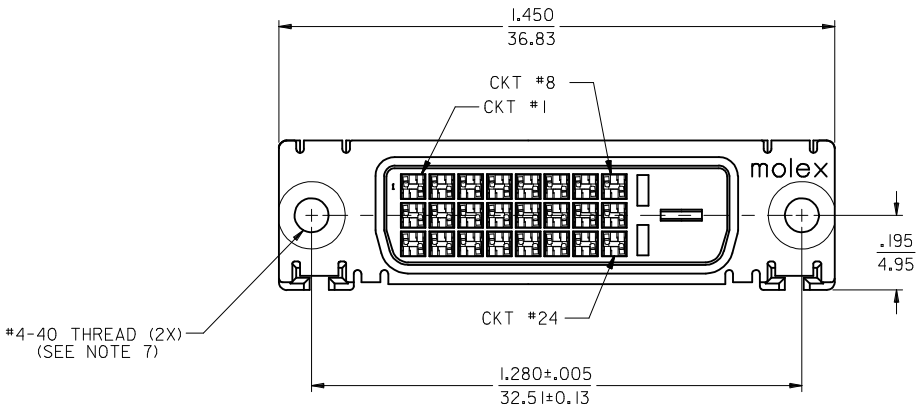
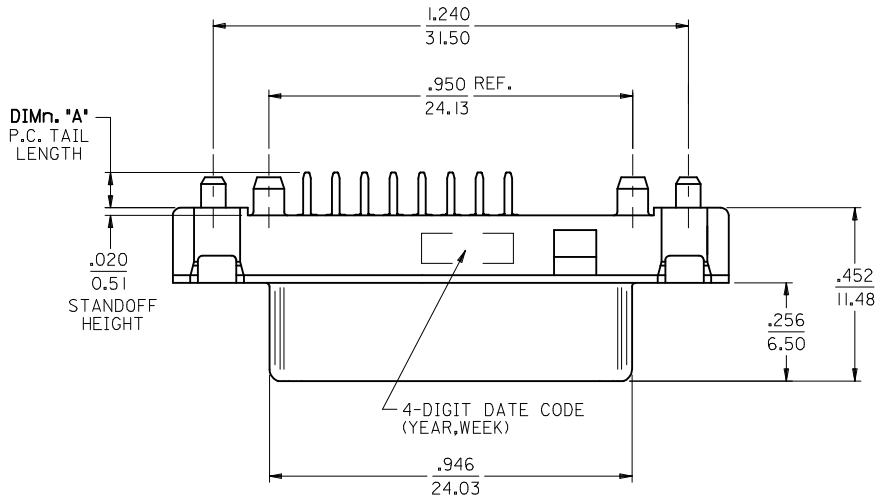
### **Material Info**

### **Reference - Drawing Numbers**

Product Specification	PS-74320-001, RPS-74320-006, RPS-74320-007, RPS-74320-010
Sales Drawing	SD-74320-004

This document was generated on 04/05/2010

**PLEASE CHECK [WWW.MOLEX.COM](http://WWW.MOLEX.COM) FOR LATEST PART INFORMATION**



NOTES:

- MATERIALS:  
SHIELD -- DEEP DRAW STEEL.  
HOUSING -- GLASS FILLED POLYMER, NATURAL (WHITE), UL 94v-0.  
CONTACTS -- COPPER ALLOY.
- PLATING: SEE SHEET 2.
- PRODUCT CONFORMS TO MOLEX PRODUCT SPECIFICATION NUMBER PS-74320-001.
- SEE SHEET 2 FOR RECOMMENDED PANEL CUT-OUT AND P.C.B. LAYOUT.
- PARTS WILL BE PACKAGED IN TRAYS PER PK-74320-010.
- PRODUCT CONFORMS TO DDWG DVI SPECIFICATION. REFER TO THIS SPECIFICATION FOR CONNECTOR MATING DIMENSIONS.
- RECOMMENDED MOUNTING HARDWARE IS MOLEX P/N 71781-0001 OR 82007-0300 OR 88780-6066. REFER TO PRODUCT SPECIFICATION NUMBER PS-74320-001 FOR THE APPLICATION TORQUE REQUIREMENT FOR ASSEMBLING MOUNTING HARDWARE.

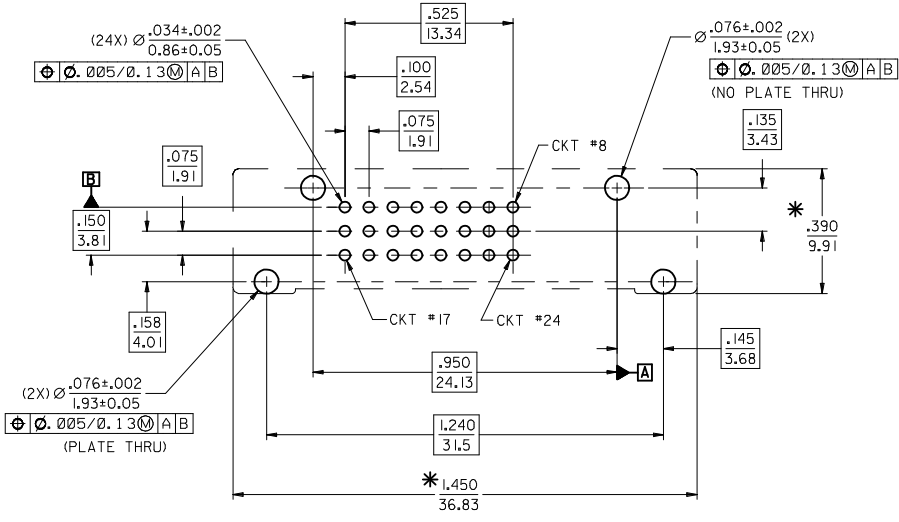
PART NUMBER	DIMn 'A'	DIMn 'B'	PLATING OPTION
74320-5000	.092/2.34	.080/2.03	1
74320-5001	.050/1.27	.080/2.03	1
74320-5004	.092/2.34	.080/2.03	2
74320-5005	.050/1.27	.080/2.03	2
74320-5006	.110/2.79	.110/2.79	2

REV	DESCRIPTION
REVISE	EC NO: SH2010-0059
DRWN: XJSONG	2009/08/18
CHKD: XJSONG	2009/08/19
APPR: RZHANG	2009/09/28

QUALITY SYMBOLS	GENERAL TOLERANCES (UNLESS SPECIFIED)
▽=0	mm INCH
▽=0	4 PLACES ± --- ± ---
	3 PLACES ± 0.25 ± .010
	2 PLACES ± 0.25 ± .010
	1 PLACE ± 0.25 ± .010
	ANGULAR ± ---°

DRAWN BY	DATE
MOSULL IV	99/02/12
CHECKED BY	DATE
MOSULL IV	99/02/12
APPROVED BY	DATE
NELLIGAN	99/02/15

DIMENSION STYLE	SCALE	DESIGN UNITS	THIRD ANGLE PROJECTION
IN/MM		INCH	
TITLE DVI-DIGITAL VERTICAL RECEPTACLE CONNECTOR			
MATERIAL NO. SEE CHART			
DOCUMENT NO. SD-74320-004			SHEET NO. 1 OF 2
THIS DRAWING CONTAINS INFORMATION THAT IS PROPRIETARY TO MOLEX INCORPORATED AND SHOULD NOT BE USED WITHOUT WRITTEN PERMISSION			



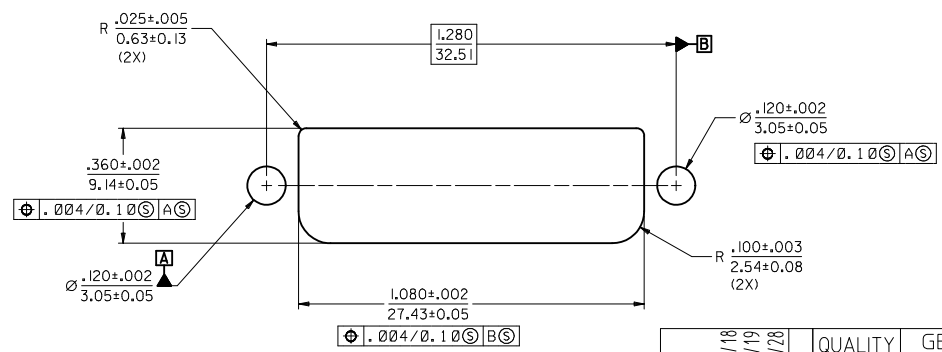
RECOMMENDED PCB LAYOUT

\* THESE DIMENSIONS REPRESENT CONNECTOR OVERLAY ON PCB.

PLATING OPTIONS:

PLATING OPTION #1:  
 OUTER SHIELD -- 150u"/3.75um MIN. BRIGHT TIN OVER  
 50u"/1.27um MIN. NICKEL OVER COPPER FLASH.  
 .075"/1.91mm CONTACTS -- 30u"/0.75um MIN. SELECT GOLD AND  
 100u"/2.50um MIN. SELECT PURE TIN  
 OVER 50u"/1.27um MIN. NICKEL OVERALL.

PLATING OPTION #2:  
 OUTER SHIELD -- 150u"/3.75um MIN. BRIGHT TIN OVER  
 50u"/1.27um MIN. NICKEL OVER COPPER FLASH.  
 .075"/1.91mm CONTACTS -- SELECT GOLD FLASH AND  
 100u"/2.50um MIN. SELECT PURE TIN  
 OVER 50u"/1.27um MIN. NICKEL OVERALL.



RECOMMENDED PANEL CUT-OUT  
 PANEL THICKNESS: .030/0.76 - .040/1.02

SEE SHEET 1

EC NO:	SHZ010-0059
DRWN:	XJ SONG 2009/08/18
CHKD:	XJ SONG 2009/08/19
APPR:	RZHANG 2009/09/28

REV	DESCRIPTION
▽=0	QUALITY SYMBOLS
◁=0	

GENERAL TOLERANCES (UNLESS SPECIFIED)	
	mm INCH
4 PLACES	± --- ± ---
3 PLACES	± 0.25 ± 0.10
2 PLACES	± 0.25 ± 0.10
1 PLACE	± 0.25 ± 0.10
ANGULAR ± ---°	
DRAFT WHERE APPLICABLE MUST REMAIN WITHIN DIMENSIONS	

DIMENSION STYLE	
IN/MM	
DRAWN BY	DATE
MOSULL IV	99/02/12
CHECKED BY	DATE
MOSULL IV	99/02/12
APPROVED BY	DATE
NELLIGAN	99/02/15
MATERIAL NO.	
SEE CHART	

SCALE	DESIGN UNITS	THIRD ANGLE PROJECTION	
1:1	INCH		
TITLE			
DVI-DIGITAL VERTICAL RECEPTACLE CONNECTOR			
MATERIAL NO.		DOCUMENT NO.	
SEE CHART		SD-74320-004	
SIZE		SHEET NO.	
A3		2 OF 2	
THIS DRAWING CONTAINS INFORMATION THAT IS PROPRIETARY TO MOLEX INCORPORATED AND SHOULD NOT BE USED WITHOUT WRITTEN PERMISSION			