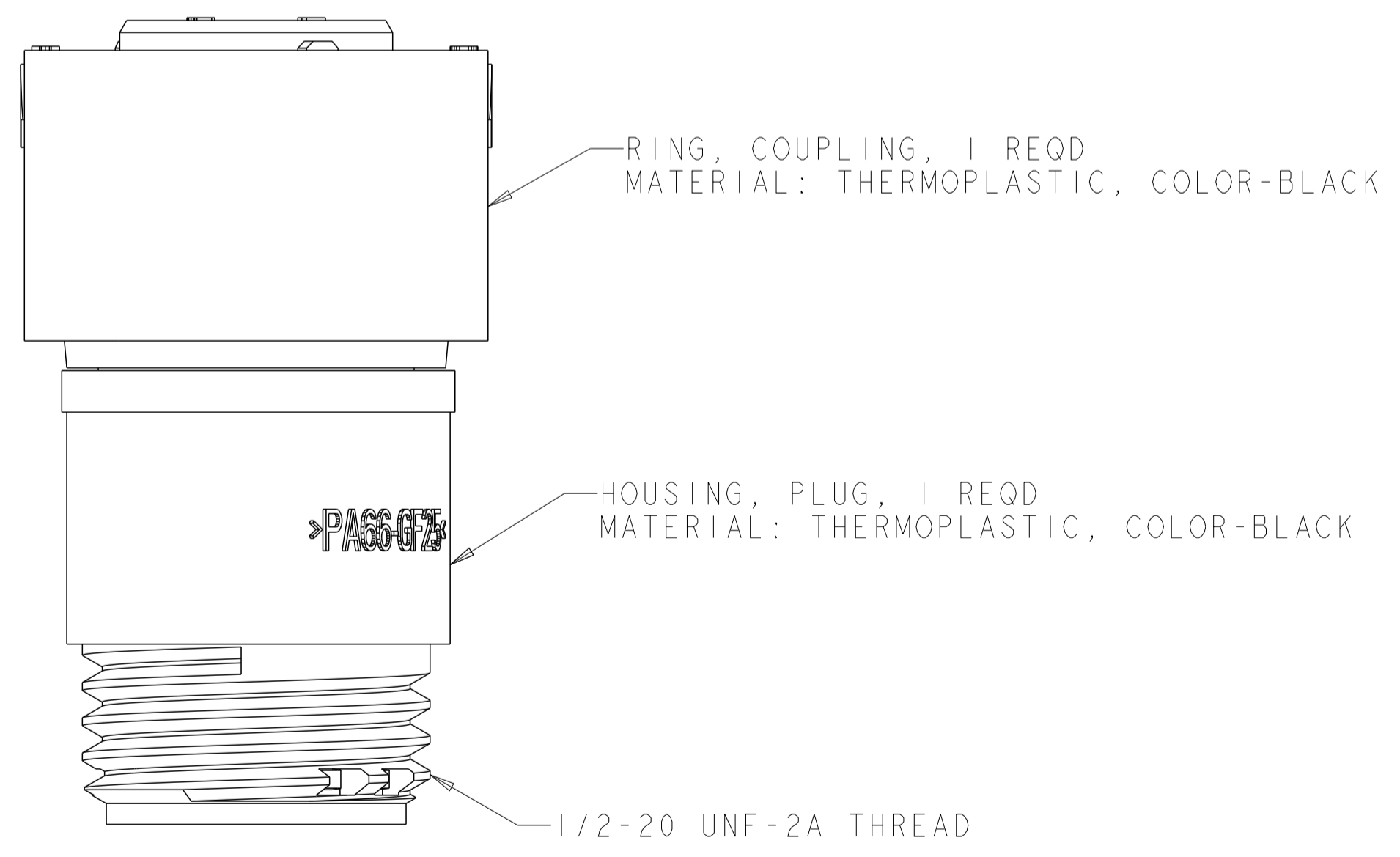
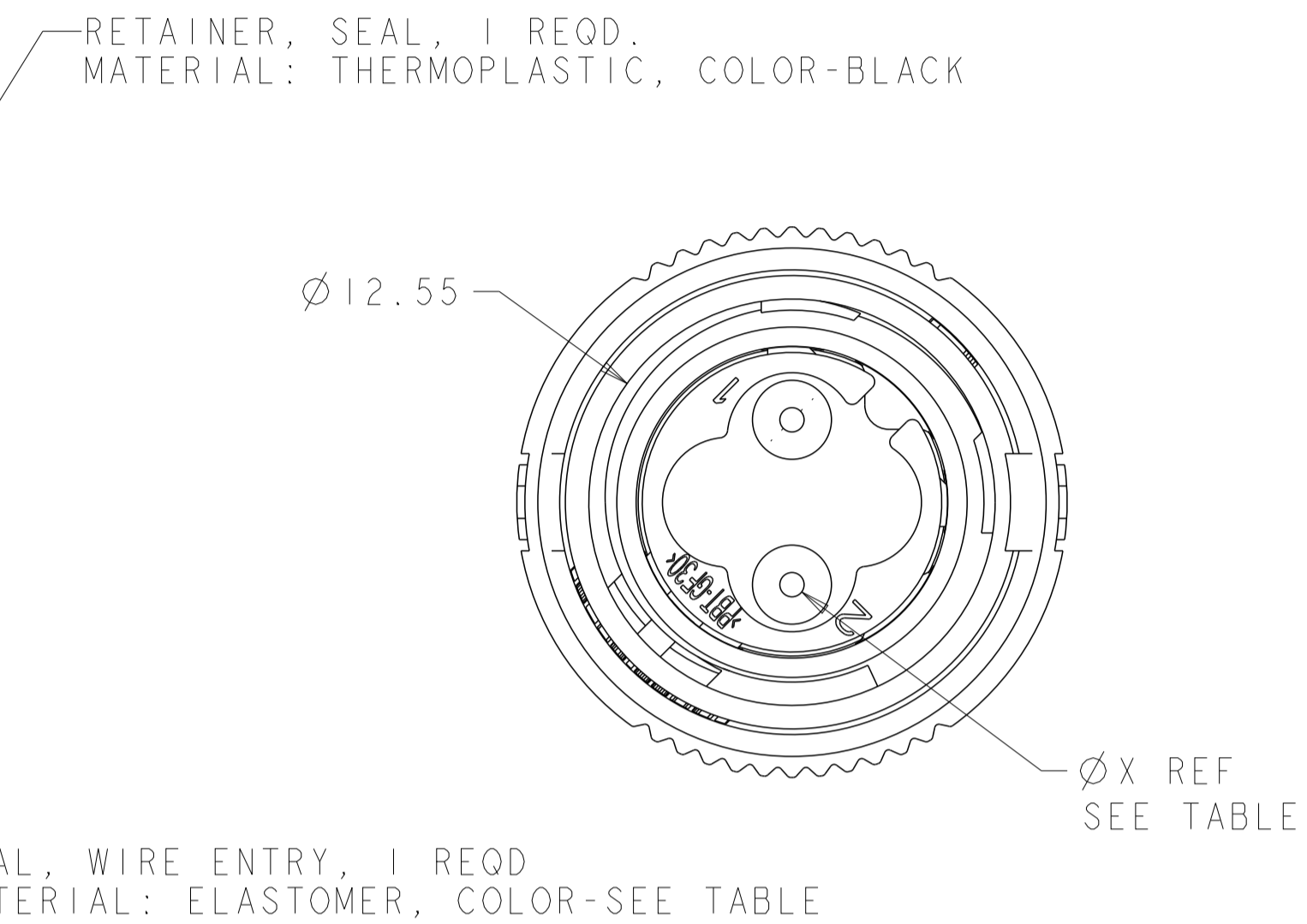
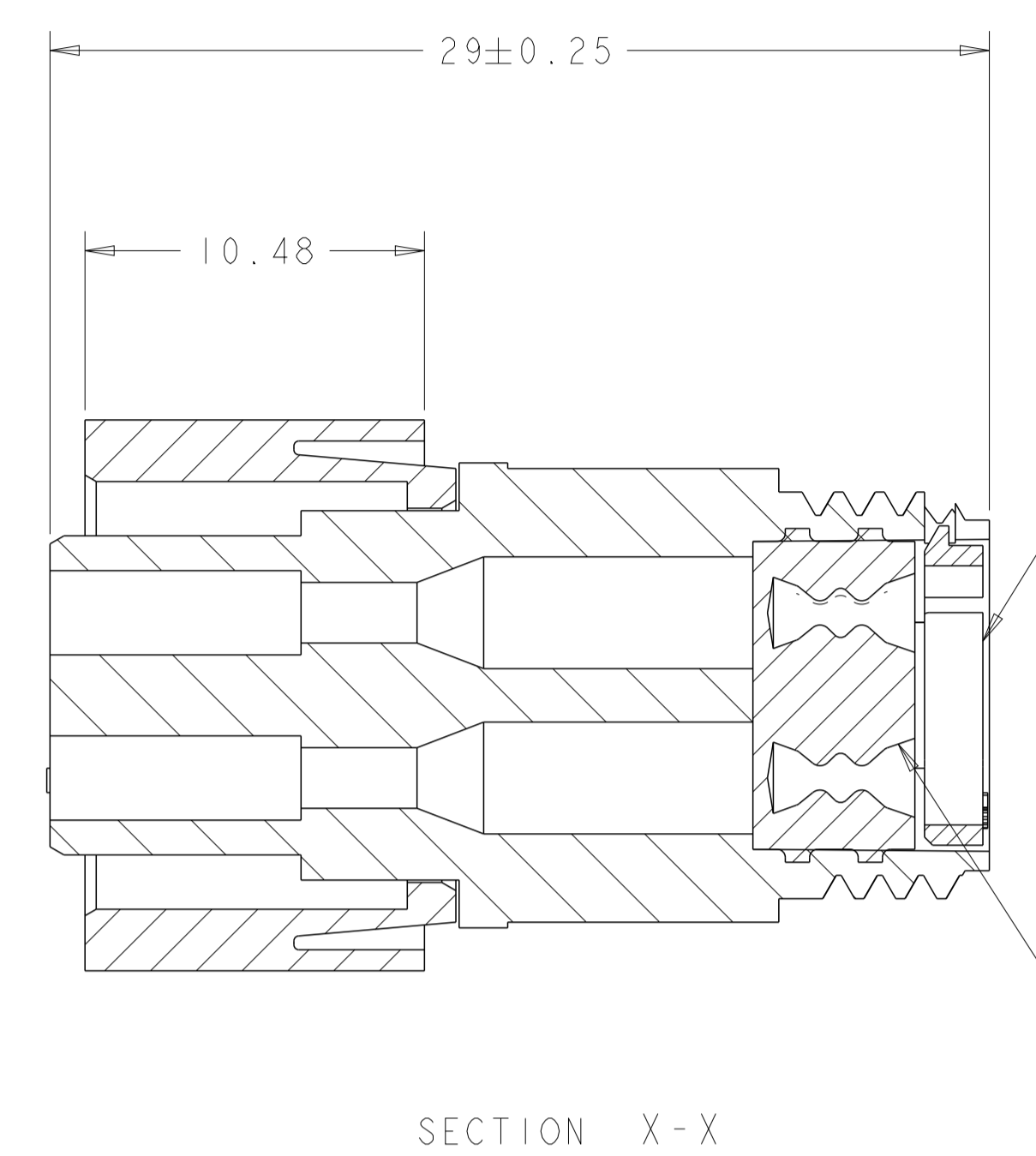
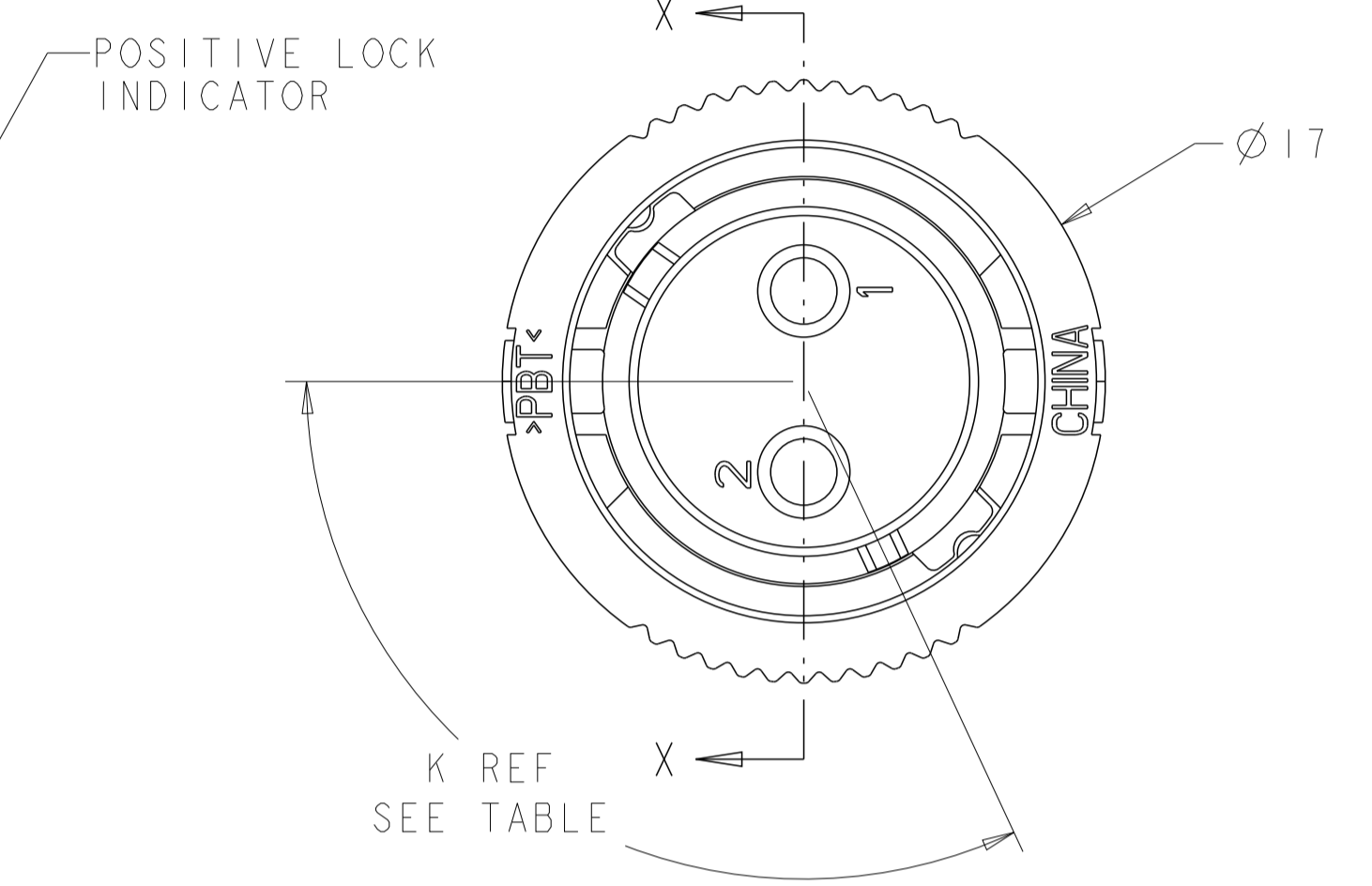
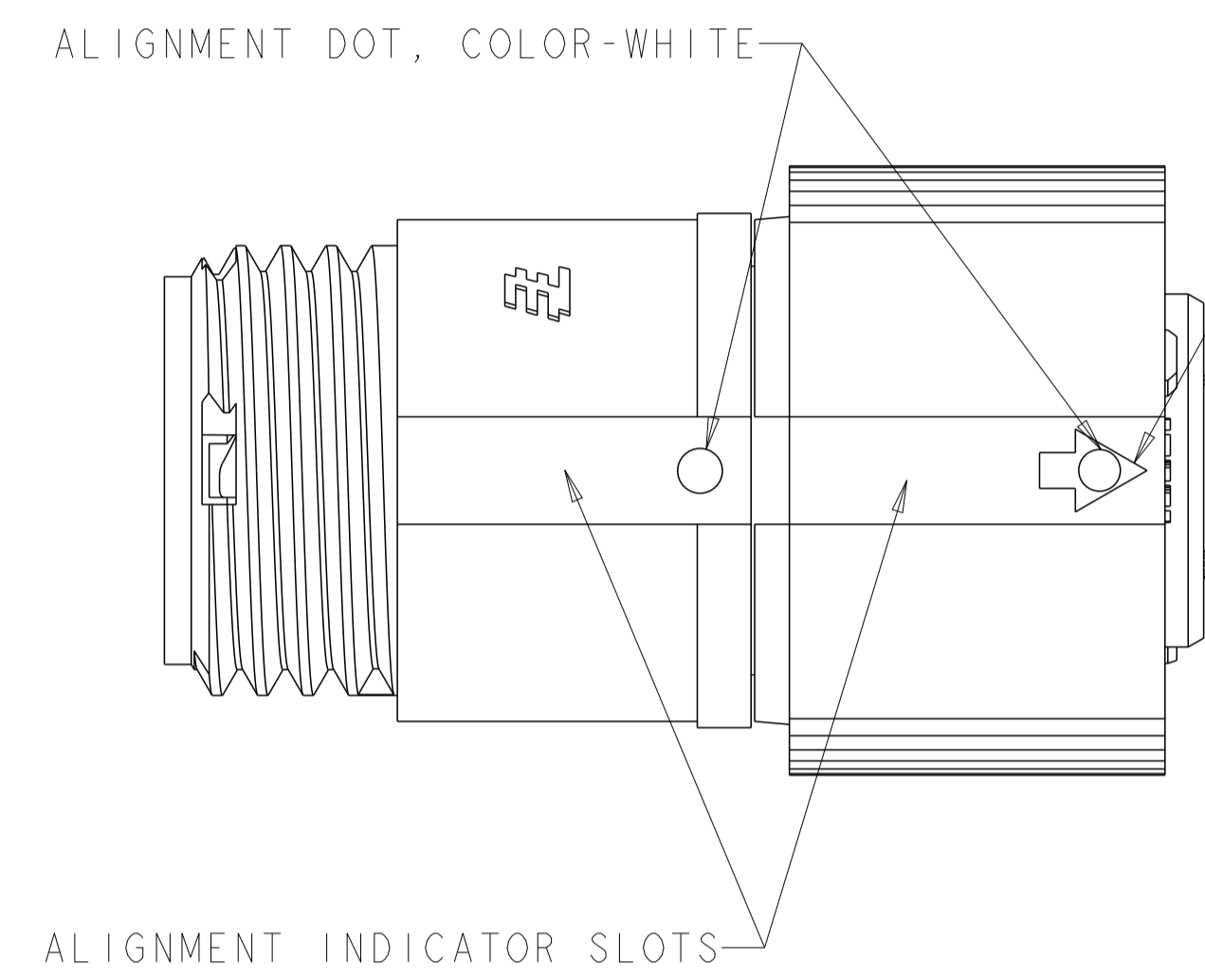


LOC		DIST		REVISIONS			
FT	0	P	LTN	DESCRIPTION	DATE	DWN	APVD
		B3		REVISED PER ECO-15-010004	13JUL2015	NK	MZ



YELLOW	Ø 0.75	130°	1445535-04
NATURAL	Ø 1.5	115°	1445535-03
NATURAL	Ø 1.5	130°	1445535-02
YELLOW	Ø 0.75	115°	1445535-01
SEAL, WIRE ENTRY COLOR	Ø X REF	K REF	PART NUMBER

THIS DRAWING IS A CONTROLLED DOCUMENT.

DIMENSIONS: mm

TOLERANCES UNLESS OTHERWISE SPECIFIED:

0 PLC	±
1 PLC	±0.5
2 PLC	±0.13
3 PLC	±0.013
4 PLC	±0.0001
ANGLES	±
FINISH	±

MATERIAL: SEE CALLOUT

FINISH: SEE CALLOUT

CUSTOMER DRAWING

DWN: S. WIEST 07MAY2001

CHK: G. DOUITY 07MAY2001

APVD: H. WAKEEM 12JUN2003

NAME: ASSEMBLY, PLUG, SIZE 8, 2 POSITION, SEALED, MINI CPC

SIZE: A1

CAGE CODE: 100779

DRAWING NO: 1445535

RESTRICTED TO: -

SCALE: 5:1

SHEET: 1 OF 1

REV: B3

STE TE Connectivity