

PLEASE CHECK WWW.MOLEX.COM FOR LATEST PART INFORMATION

Part Number: [0917912001](#)
Status: **Active**
Overview: [rast 5 connector system](#)
Description: 5.00mm (.197") Pitch Appli-Mate® RAST Power IDT Housing, 10 Amp, Indirect, Female, 4 Circuits, Fully Coded, Open End Walls, No Polarizing Rib, Glow Wire Compatible

Documents:

[3D Model](#) [Product Specification PS-91627-001 \(PDF\)](#)
[Drawing \(PDF\)](#) [RoHS Certificate of Compliance \(PDF\)](#)

General

Product Family IDT and Solder Connectors
 Series [91627](#)
 Crimp Quality Equipment Yes
 Overview [rast 5 connector system](#)
 Product Name RAST 5
 Use With RAST standard interface

Physical

Circuits (Loaded) 4
 Circuits (maximum) 4
 Color - Resin Natural (White)
 Durability (mating cycles max) 10
 Gender Female
 Glow-Wire Compliant Yes
 Lock to Mating Part Yes
 Material - Metal High Performance Alloy (HPA)
 Material - Plating Mating Tin
 Material - Plating Termination Silver
 Material - Resin Nylon
 Number of Rows 1
 Packaging Type Tray
 Panel Mount No
 Pitch - Mating Interface (in) 0.197 In
 Pitch - Mating Interface (mm) 5.00 mm
 Pitch - Term. Interface (in) 0.197 In
 Pitch - Term. Interface (mm) 5.00 mm
 Plating min: Mating (µin) 32
 Plating min: Mating (µm) 0.80
 Plating min: Termination (µin) 32
 Plating min: Termination (µm) 0.80
 Polarized to Mating Part No
 Stackable No
 Temperature Range - Operating -40°C to +120°C
 Termination Interface: Style IDT or Pierce
 Wire Size AWG 22, 24

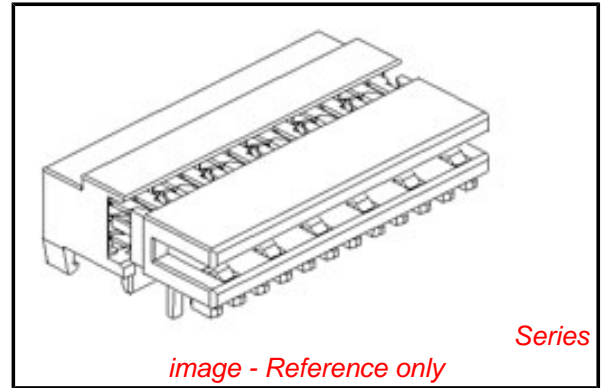
Electrical

Current - Maximum per Contact 10A
 Voltage - Maximum 250V AC

Material Info

Reference - Drawing Numbers

Application Specification AS-91627-001
 Packaging Specification PK-91627-001



EU RoHS

ELV and RoHS Compliant
REACH SVHC
 Not Reviewed
Halogen-Free Status

China RoHS



Not Reviewed

Need more information on product environmental compliance?

Email productcompliance@molex.com
 For a multiple part number RoHS Certificate of Compliance, [click here](#)

Please visit the [Contact Us](#) section for any non-product compliance questions.

Search Parts in this Series

[91627Series](#)

Mates With

[90860 Appli-Mate® Vertical Header](#). [90861 Appli-Mate® Right Angle Header](#)

Application Tooling | FAQ

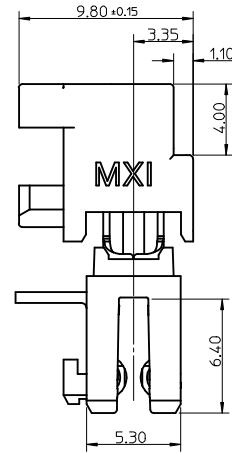
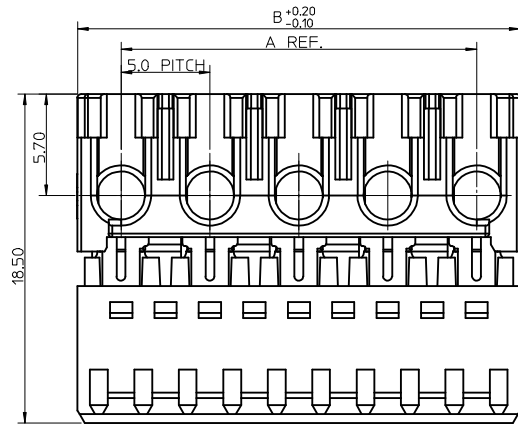
Tooling specifications and manuals are found by selecting the products below. Crimp Height Specifications are then contained in the Application Tooling Specification document.

Global

Description	Product #
Appli-Mate Rast 2.5 Power Manual Terminator	0622030000
RAST 2.5 Semi-Automatic Terminator Machine For Appli-Mate™ Connectors	0623006000

This document was generated on 05/27/2010

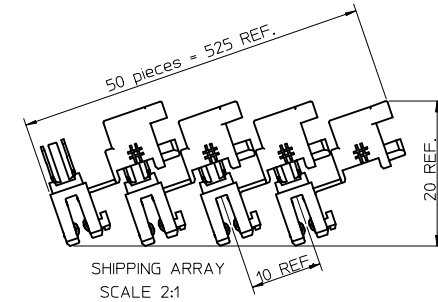
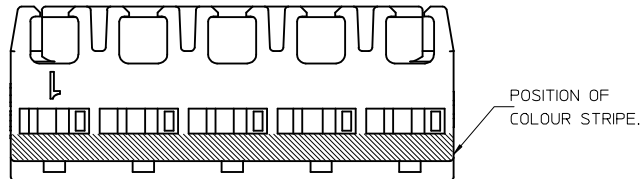
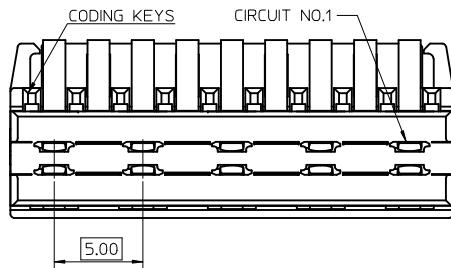
PLEASE CHECK WWW.MOLEX.COM FOR LATEST PART INFORMATION



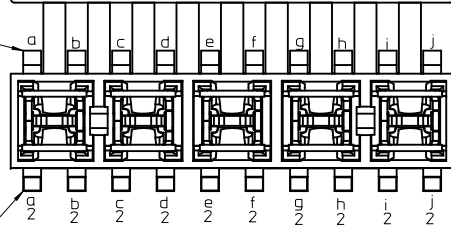
CKT	DIM A	DIM B
2	5	9.9
3	10	14.9
4	15	19.9
5	20	24.9
6	25	29.9
7	30	34.9
8	35	39.9
9	40	44.9
10	45	49.9
11	50	54.9
12	55	59.9

NOTES:

- MATERIAL: HOUSING: PA 6
TERMINAL: COPPER ALLOY
PLATING: SILVER (10A)
- PRODUCT SPECIFICATION: PS-91627-001
- SEE SUBSEQUENT SHEETS FOR PART NUMBERING INFORMATION
- THIS CONNECTOR MATES WITH HEADER ONLY. SEE PRODUCT SPECIFICATION PS-91627-001 FOR APPROVED HEADERS
- CABLE:
 - RECOMMENDED CABLE CROSS SECTIONAL AREA = 0.50mm.sq TO 0.75mm.sq
 - MAX CABLE INSULATION DIAMETER = 2.5mm
- PACKAGING SPECIFICATION: PK-91627-001
- APPLICATION SPECIFICATION: AS-91627-001



STANDARD ROW CODING KEYS



OPTIONAL 2nd ROW CODING KEYS

POSITION OF COLOUR STRIPE.

REVIEWED EC NO: E2010-0095 DRAWN: TIOURISH 2009/09/04 CHKD: BRUTLE 2009/09/04 APPR: BMAGUIRE 2009/09/07	DESCRIPTION	QUALITY SYMBOLS	GENERAL TOLERANCES (UNLESS SPECIFIED)		DIMENSION STYLE		SCALE	DESIGN UNITS	THIRD ANGLE PROJECTION		
		$\nabla=0$ $\nabla=0$	m/m	INCH	MM ONLY		5:1	METRIC			
			4 PLACES	± ---	± ---	DRAWN BY	DATE	TITLE			
			3 PLACES	± 0.10	± ---	LK IERNAN	07/05/2003	10A RAST PWR IDT CONN			
			2 PLACES	± 0.10	± ---	CHECKED BY	DATE	5MM PTCH			
			1 PLACE	± 0.2	± ---	BMAGUIRE	25/07/2003				
			ANGULAR ± 2 °		APPROVED BY		DATE	MOLEX INCORPORATED			
			DRAFT WHERE APPLICABLE MUST REMAIN WITHIN DIMENSIONS		MATERIAL NO.		DOCUMENT NO.	SD-91791-001		SHEET NO.	
			SIZE A2		THIS DRAWING CONTAINS INFORMATION THAT IS PROPRIETARY TO MOLEX INCORPORATED AND SHOULD NOT BE USED WITHOUT WRITTEN PERMISSION						1 OF 2

2 CIRCUIT				
MOLEX PART NO.	TERMINAL VOID POSITION	REMOVED CODING KEYS	CONFIGURATION	COLOUR STRIPE
91791-0001	NONE	NONE		NONE

7 CIRCUIT				
MOLEX PART NO.	TERMINAL VOID POSITION	REMOVED CODING KEYS	CONFIGURATION	COLOUR STRIPE
91791-5001	NONE	NONE		NONE

3 CIRCUIT						
MOLEX PART NO.	TERMINAL VOID POSITION	REMOVED CODING KEYS	CONFIGURATION	LATCH BETWEEN	POLARIZING RIB BETWEEN	COLOUR STRIPE
91791-1001	NONE	NONE		NONE	NONE	NONE
91791-1002	NONE	a b c		NONE	CCT 1&2	RED
91791-1004	NONE	NONE		NONE	CCT 1&2	RED
91791-1504	NONE	a b c		CCT 1&2	CCT 2&3	RED
91791-1003	NONE	b c d e f b2 c2 d2 e2		NONE	NONE	NONE

8 CIRCUIT				
MOLEX PART NO.	TERMINAL VOID POSITION	REMOVED CODING KEYS	CONFIGURATION	COLOUR STRIPE
91791-6001	NONE	NONE		NONE

4 CIRCUIT						
MOLEX PART NO.	TERMINAL VOID POSITION	REMOVED CODING KEYS	CONFIGURATION	LATCH BETWEEN	POLARIZING RIB BETWEEN	COLOUR STRIPE
91791-2001	NONE	NONE		NONE	NONE	NONE
91791-2004	NONE	b d e f g h		NONE	CCT 2&3	RED

9 CIRCUIT				
MOLEX PART NO.	TERMINAL VOID POSITION	REMOVED CODING KEYS	CONFIGURATION	COLOUR STRIPE
91791-7001	NONE	NONE		NONE

5 CIRCUIT				
MOLEX PART NO.	TERMINAL VOID POSITION	REMOVED CODING KEYS	CONFIGURATION	COLOUR STRIPE
91791-3001	NONE	NONE		NONE

10 CIRCUIT				
MOLEX PART NO.	TERMINAL VOID POSITION	REMOVED CODING KEYS	CONFIGURATION	COLOUR STRIPE
91791-8001	NONE	NONE		NONE

6 CIRCUIT				
MOLEX PART NO.	TERMINAL VOID POSITION	REMOVED CODING KEYS	CONFIGURATION	COLOUR STRIPE
91791-4001	NONE	NONE		NONE
91791-4002	NONE	a b c d e f i j k l + b2 c2 d2 e2 f2 g2 h2 i2 j2 k2		NONE

11 CIRCUIT				
MOLEX PART NO.	TERMINAL VOID POSITION	REMOVED CODING KEYS	CONFIGURATION	COLOUR STRIPE
91791-9001	NONE	NONE		NONE

12 CIRCUIT				
MOLEX PART NO.	TERMINAL VOID POSITION	REMOVED CODING KEYS	CONFIGURATION	COLOUR STRIPE
91791-9501	NONE	NONE		NONE

NOTES:
 1. FIRST CKT SIDE IS THE SIDE CLOSEST TO CKT 1
 2. LAST CKT SIDE IS THE SIDE CLOSEST TO THE HIGHEST CKT SIZE
 - DENOTES TERMINAL POSITION LOADED
 + DENOTES TERMINAL POSITION VOIDED
 I DENOTES POSITION OF POLARISING RIB
 □ DENOTES POSITION OF LOCKING LATCH

SEE SHEET 1 ELEC NO: E2010-0095 DRAWN: TOUR SH CHKD: BRUTLE APPR: BMAGUIRE 2009/09/04 2009/09/07	QUALITY SYMBOLS 	GENERAL TOLERANCES (UNLESS SPECIFIED) mm INCH 4 PLACES ± --- ± --- 3 PLACES ± 0.10 ± --- 2 PLACES ± 0.10 ± --- 1 PLACE ± 0.2 ± --- ANGULAR ± 2 °		DIMENSION STYLE MM ONLY		SCALE 1:1	DESIGN UNITS METRIC	THIRD ANGLE PROJECTION
		DRAWN BY LKIERNAN		DATE 07/05/2003		TITLE 10A RAST PWR IDT CONN 5MM PTCH		
		CHECKED BY BMAGUIRE		DATE 25/07/2003		APPROVED BY BMAGUIRE		
		DATE 25/07/03		MATERIAL NO.		DOCUMENT NO. SD-91791-001		SHEET NO. 2 OF 2
DRAFT WHERE APPLICABLE MUST REMAIN WITHIN DIMENSIONS				SEE CHARTS		THIS DRAWING CONTAINS INFORMATION THAT IS PROPRIETARY TO MOLEX INCORPORATED AND SHOULD NOT BE USED WITHOUT WRITTEN PERMISSION		