

KR Electronics, Inc.

General Description

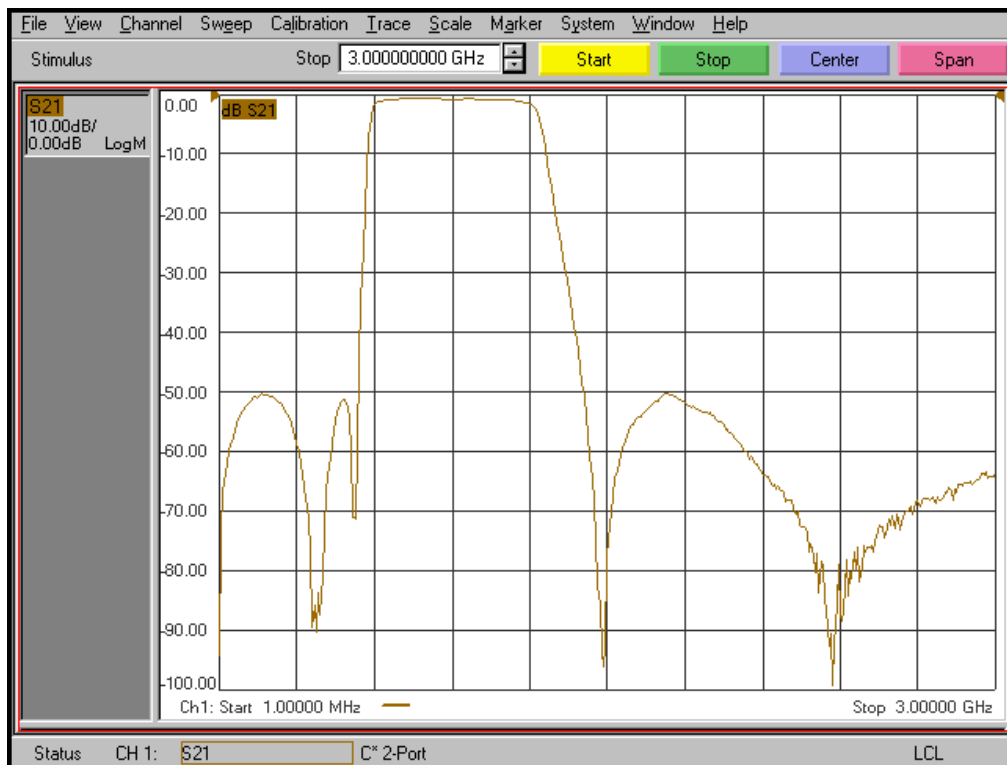
KR Electronics part number 3242-SMA is a 900 MHz band-pass filter. The filter has a min 3 dB bandwidth of 620 MHz. Other frequencies are available. Please consult the factory.

Features

- 900 MHz Bandpass Filter
- 3 dB Bandwidth 620 MHz min
- 40 dB Bandwidth 860 MHz max
- Selective Elliptic Response
- 50 Ω Source and Load
- SMA Connectors
- Surface Mount Package Available

Typical Performance

Overall Response
(10 dB/div)

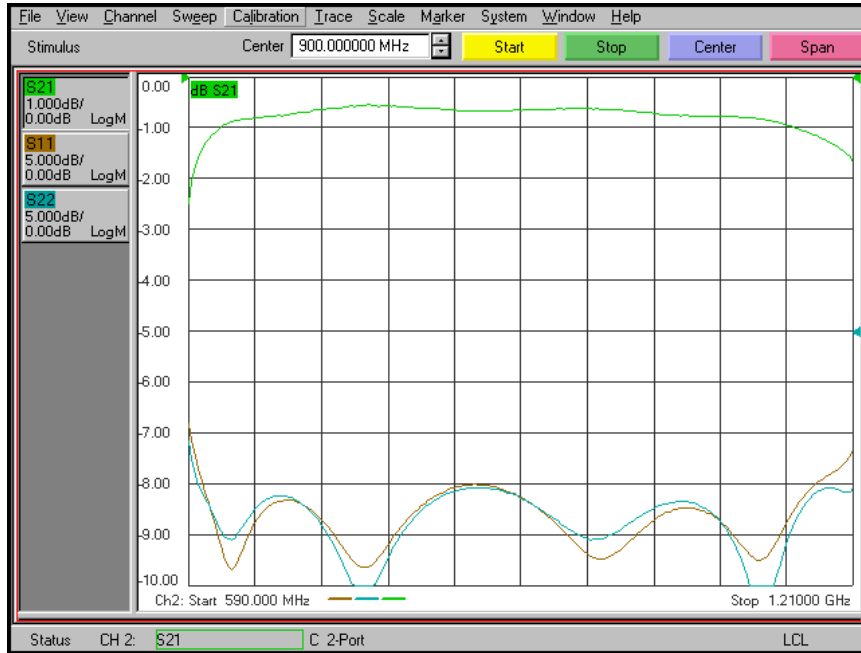


KR Electronics, Inc.
91 Avenel Street
Avenel, NJ 07001

Web www.krfilters.com
Email sales@krfilters.com
Phone (732) 636-1900
Fax (732) 636-1982

Typical Performance

Passband Amplitude & Return Loss (1 dB/div & 5 dB/div)



Overall Response (10 dB/div)



KR Electronics, Inc.
91 Avenel Street
Avenel, NJ 07001

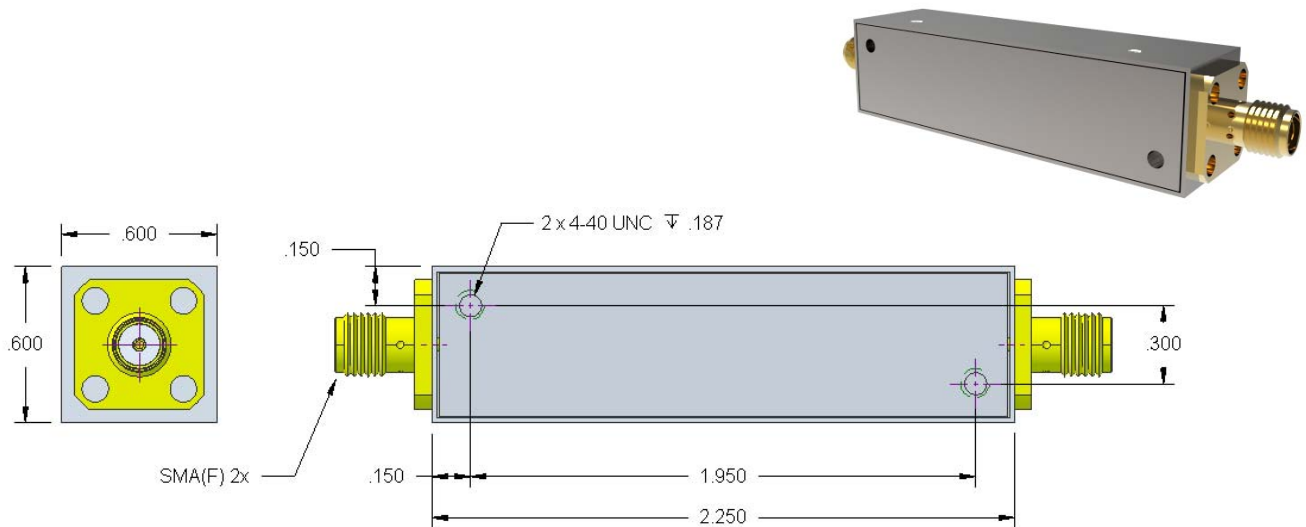
Web www.krfilters.com
Email sales@krfilters.com
Phone (732) 636-1900
Fax (732) 636-1982

KR Electronics 3242-SMA

Specifications

Parameter	Specification	Notes
Filter type	Bandpass	
Center Frequency (Fc)	900 MHz	
Insertion Loss (at Fc)	2 dBa max	1 dBa typical
3 dBc Bandwidth	620 MHz min	
20 dBc Bandwidth	742 MHz typical	
40 dBc Bandwidth	860 MHz max	40 dBc maintained to 3 GHz
Source and Load	50 Ω	

Physical Dimensions



Notes:

1. Dimensions in inches
2. Rectangular case
3. Also available in surface mount package

KR Electronics, Inc.
91 Avenel Street
Avenel, NJ 07001

Web www.krfilters.com
Email sales@krfilters.com
Phone (732) 636-1900
Fax (732) 636-1982