

General Description

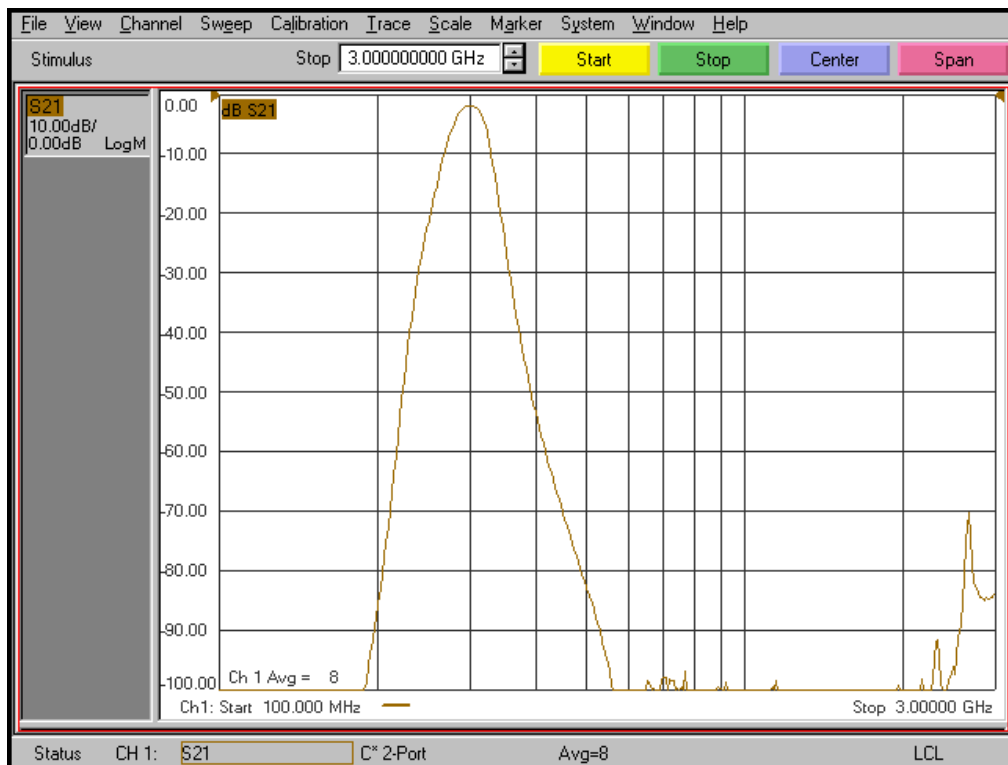
KR Electronics part number 3218-300-SMA is a 300 MHz linear phase bandpass filter. The filter has a 3 dB bandwidth of 40 MHz. Other frequencies are available. Please consult the factory.

Features

- 300 MHz Bandpass Filter
- Linear Phase / Constant Group Delay
- 3 dB Bandwidth 40 MHz
- 50 Ω Source and Load
- SMA Connectors Surface Mount Also Available

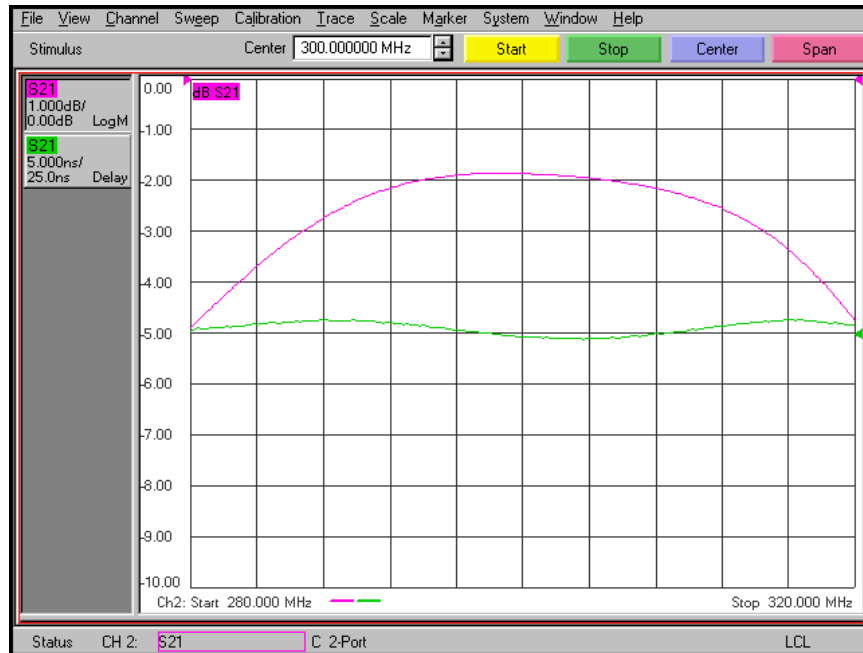
Typical Performance

Overall Response (10 dB/div)



Typical Performance

Passband Amplitude & Group Delay (1 dB/div & 5 nsec/div)



Overall Response (10 dB/div)



KR Electronics, Inc.
91 Avenel Street
Avenel, NJ 07001

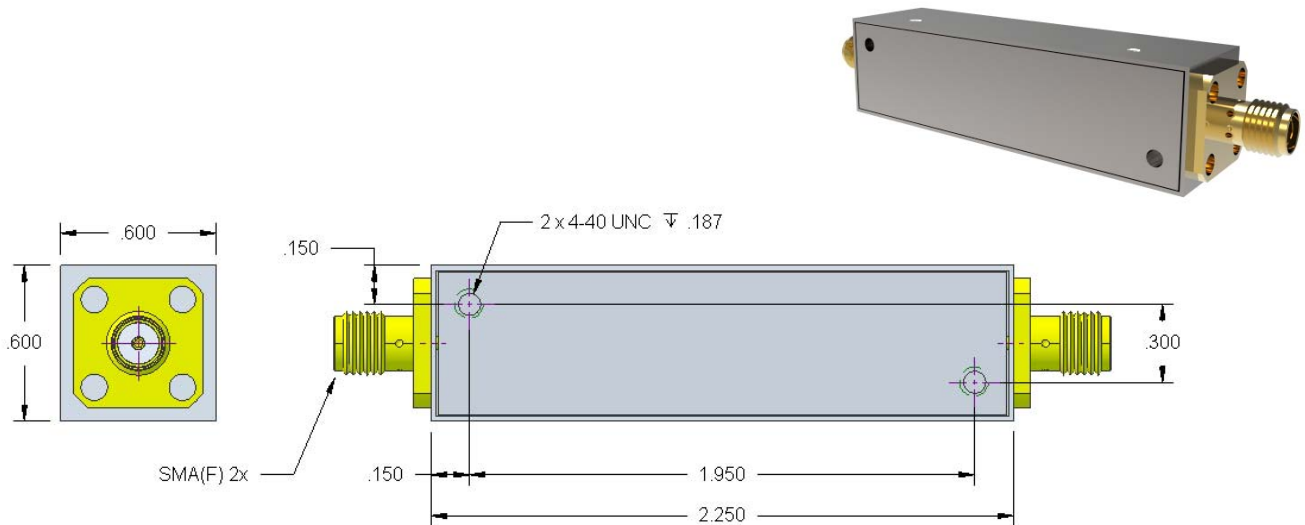
Web www.krfilters.com
Email sales@krfilters.com
Phone (732) 636-1900
Fax (732) 636-1982

KR Electronics 3218-300-SMA

Specifications

Parameter	Specification	Notes
Filter type	Bandpass	
Center Frequency (Fc)	300 MHz	
Insertion Loss (at Fc)	4 dBa max	2 dBa typical
3 dBc Bandwidth	40 MHz ± 2 MHz	
Passband Group Delay Variation	± 5 nsec max	
20 dBc Bandwidth	108 MHz max	
35 dBc Bandwidth	134 MHz typical	
50 dBc Bandwidth	174 MHz typical	
60 dBc Bandwidth	207 MHz typical	
Source and Load	50 Ω	

Physical Dimensions



Notes:

1. Dimensions in inches
2. Rectangular case
3. Also available in surface mount package

KR Electronics, Inc.
91 Avenel Street
Avenel, NJ 07001

Web www.krfilters.com
Email sales@krfilters.com
Phone (732) 636-1900
Fax (732) 636-1982