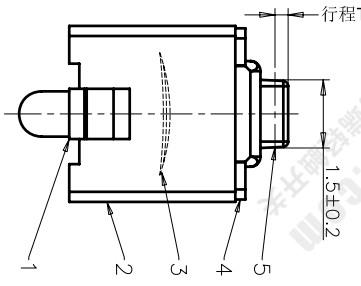
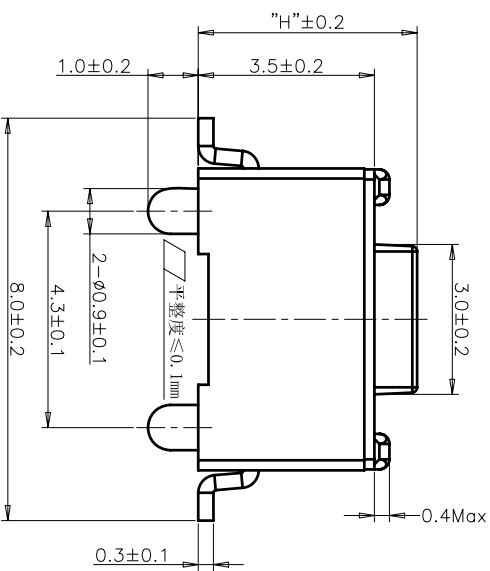
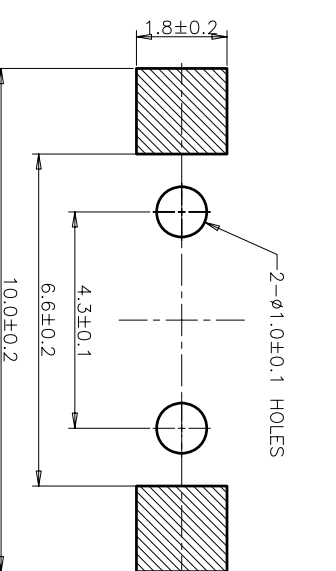
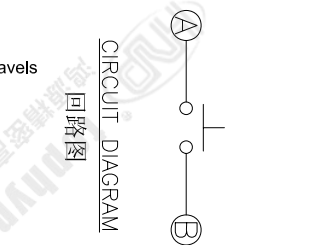
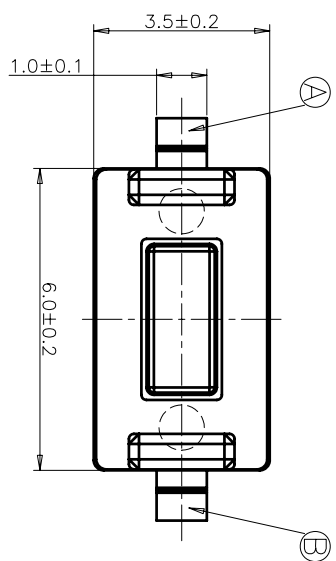


ACAD GENERATED DRAWING. DON'T CHANGE BY HAND.



规格 Specifications

额定负荷 Rating	DC 12V/50mA
接触电阻 Contact Resistance	100mΩ max.
绝缘电阻 Insulation resistance	DC100V 60S 100MΩ min.
抗电强度 Dielectric strength	AC250V(50-60HZ) 60S min.
操作力 Operation force	≤180±30gf    ≤300±50gf
寿命试验 Operating Life	50,000 cycles    30,000 cycles
行程 Travels	0.25±0.1mm

REV	ECN NO.	APPD
A	HC-11-0027	PROJQM
B	HC-11-0062	PROJQM
C	HC-12-0061	PROJQM
D	HC-15-0064	PROJQM

PRODUCT NO.: 1TS002\*\*\*\*\*-CT

- 接触开关
- 3X6系列
- 外形:
- A=插脚
  - B=贴片
  - C=贴片带柱
  - E=贴片2.5高
  - K=贴片带柱8.8
  - L=贴片10.2
- 按钮颜色:
- 底座颜色:
- 盖板颜色:
- 操作力度:
- 130=130±20gf
  - 160=160±30gf
  - 180=180±30gf
  - 220=220±40gf
  - 250=250±50gf
  - 300=300±50gf
- 手感:
- 0=常规
  - 1=大手感
  - 2=小手感
  - 3=特殊手感
- 材料:
- 0=PA66
  - 1=LCP+PPA
  - 2=LCP
  - 3=PA66+PPA
  - 4=新增材质依次增加
- 产品高度(H):
- 430=4.3mm
  - 500=5.0mm
- 非编带, 不启用

ITEM	PART NAME	QUANTITY	MATERIAL	FINISH
5	ACTUATOR	1	PA66	WHITE
4	COVER	1	STAINLESS STEEL	NATURAL
3	DOME	1	STAINLESS STEEL	Ag-PLATED
2	HOUSING	1	PA66	WHITE
1	TERMINAL	1	BRASS	Ag-PLATED/0.2μm

UNITS	MM
X. ± 0.3	X.' ± 3'
.X ± 0.2	.X' ± 2'
.XX ± 0.1	.XX' ± 1'
.XXX ± 0.05	.XXX' ± 0.5'

NAME(INTENDED USE)	3X6 SMT SERIES(POST)	TACT SWITCH
PART NO.(INTENDED USE)	1TS002C****-*****-****0	
APPD:	ZO 2015/11/12	
CHKD:	M.H.Li 2015/11/12	
DR:	WP.LU 2015/11/11	

TITLE:	PRODUCT DRAWING
DWG NO.:	1TS002C

SCALE	SHEET	REV.
10/1	1/4	D

THESE DRAWINGS AND SPECIFICATIONS ARE NOT TO BE REPRODUCED OR COPIED OR USED IN ANY MANNER WITHOUT THE PRIOR WRITTEN CONSENT OF HON YUAN PRECISION IND. CO., LTD.