

PLEASE CHECK WWW.MOLEX.COM FOR LATEST PART INFORMATION

Part Number: [0528304442](#)
Status: **Active**
Overview: [modular_plugs_jacks](#)
Description: Modular Jack, Right Angle, 4/4 Circuits, 1.3µm (50µ") Gold (Au) Selective Plating, with Beveled Metal Pins, Tray Packaging, Lead-free

Documents:

[3D Model](#) [Product Specification PS-52830-003 \(PDF\)](#)
[Drawing \(PDF\)](#) [RoHS Certificate of Compliance \(PDF\)](#)
[Product Specification PS-52830-002 \(PDF\)](#)

Agency Certification

CSA LR19980
 UL E107635

General

Product Family Modular Jacks/Plugs
 Series [52830](#)
 Comments Beveled Metal Pins
 Component Type PCB Jack
 Magnetic No
 Overview [modular_plugs_jacks](#)
 Performance Category 3
 Power over Ethernet (PoE) N/A
 Product Name RJ11

Physical

Boot Color N/A
 Color - Resin Gray
 Durability (mating cycles max) 200
 Flammability 94V-0
 Inverted / Top Latch No
 Lightpipes/LEDs None
 Material - Metal Phosphor Bronze
 Material - Plating Mating Gold
 Material - Plating Termination Tin
 Material - Resin Polyester
 Orientation Right Angle (Side Entry)
 PCB Locator Yes
 PCB Retention Yes
 PCB Thickness Recommended (in) 0.063 In
 PCB Thickness Recommended (mm) 1.60 mm
 Packaging Type Tray
 Pitch - Mating Interface (in) 0.040 In
 Pitch - Mating Interface (mm) 1.02 mm
 Pitch - Term. Interface (in) 0.040 In
 Pitch - Term. Interface (mm) 1.02 mm
 Plating min: Mating (µin) 36, 50.8
 Plating min: Mating (µm) 0.90, 1.27
 Plating min: Termination (µin) 36, 40
 Plating min: Termination (µm) 0.90, 1
 Ports 1
 Positions / Loaded Contacts 4/4
 Surface Mount Compatible (SMC) No
 Temperature Range - Operating -40°C to +80°C
 Termination Interface: Style Through Hole

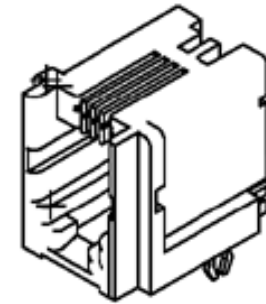


image - Reference only

Series

EU RoHS

ELV and RoHS Compliant
REACH SVHC
 Not Reviewed
Halogen-Free Status
Not Reviewed

China RoHS



Need more information on product environmental compliance?

Email productcompliance@molex.com
 For a multiple part number RoHS Certificate of Compliance, [click here](#)

Please visit the [Contact Us](#) section for any non-product compliance questions.

Search Parts in this Series

[52830Series](#)

Mates With

FCC 68 Plugs

Waterproof / Dustproof	No
Wire/Cable Type	N/A
Electrical	
Current - Maximum per Contact	1.2A
Grounding to Panel	None
Shielded	No
Voltage - Maximum	125V AC (RMS)/DC

Solder Process Data

Duration at Max. Process Temperature (seconds)	5
Lead-free Process Capability	Wave Capable (TH only)
Max. Cycles at Max. Process Temperature	1
Process Temperature max. C	265

Material Info

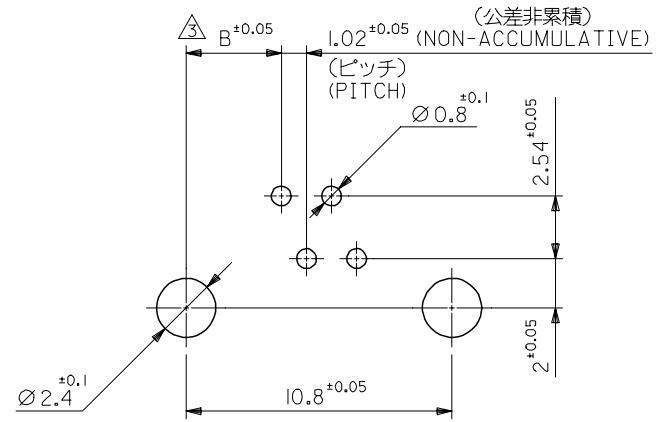
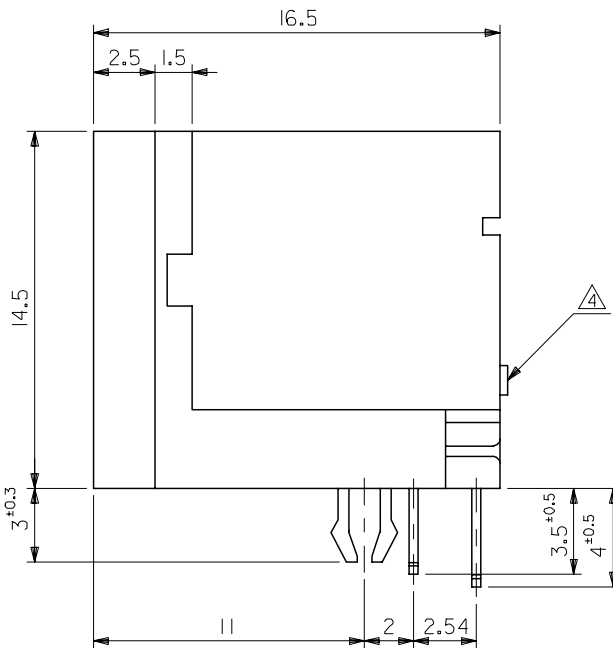
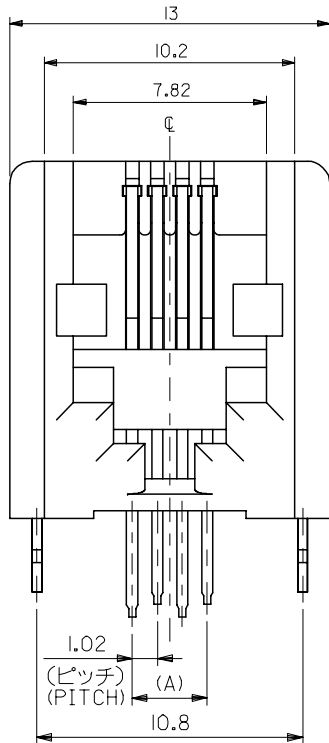
Reference - Drawing Numbers

Product Specification	PS-52830-002, PS-52830-003, RPS-52830-001
Sales Drawing	SD-52830-001

This document was generated on 06/07/2010

PLEASE CHECK WWW.MOLEX.COM FOR LATEST PART INFORMATION

10 9 8 7 6 5 4 3 2 1



基板穴推奨寸法
(ジャック取り付け側)
RECOMMENDED P.C.B. LAYOUT
(JACK ASS'Y SIDE)

注記
NOTES

- 材質
MATERIAL
ハウジング: ガラス入りポリエステル UL94V-0
HOUSING: POLYESTER G.F.15% UL94V-0
ターミナル: リン青銅 (t=0.38)
TERMINAL: PHOSPHOR BRONZE (t=0.38)
金属ペグ: リン青銅 鍍メッキ (t=0.4)
METAL PEG: PHOSPHOR BRONZE (t=0.4), PRE-TINNED
- ターミナルのメッキ仕様
PLATING OF TERMINAL
接点部: 金メッキ、(表参照)
CONTACT AREA: GOLD, (SEE CHART)
半田付け部: 鍍メッキ 1.0 μmMIN.
SOLDER AREA: TIN 1.0 μmMIN.
下地メッキ: ニッケルメッキ 1.0 μmMIN.
UNDERPLATE: NICKEL 1.0 μmMIN.

- 42*2は、両端の基板穴を除く。
IF PART NO. SUFFIX IS -42*2,
THEN FIRST HOLE NEAREST
Ø2.4 HOLES(EACH END) IS NOT REQUIRED.
- 金メッキ厚標示
COLOR CODING TO INDICATE GOLD PLATING
黄色: 0.1 μmMIN.
YELLOW: 0.1 μmMIN.
緑色: 0.38 μmMIN.
GREEN: 0.38 μmMIN.
オレンジ色: 0.76 μmMIN.
ORANGE: 0.76 μmMIN.
無色: 1.27 μmMIN.
UNMARKED: 1.27 μmMIN.
- ハウジングの色は、グレイ。
HOUSING COLOR IS GRAY.
- 推奨基板厚: t=1.6±0.05
RECOMMENDED P.C.B. THICKNESS: 1.6±0.05

7. 本製品は、52830-4**5の鉛フリー品である。
THIS PRODUCT IS LEAD FREE OF 52830-4**5.

4	4	3.87	3.05	1.27	52830-4442
				0.76	-4432
				0.38	-4422
				0.1	-4412
4	2	4.89	1.02	1.27	-4242
				0.76	-4232
				0.38	-4222
				0.1	52830-4212
ポジション	極数	B	(A)	金メッキ厚 (μmMIN.) Au PLATING THK. (μmMIN.)	MATERIAL NO.
				MODEL NO.	52830-4**2

REVISED EC NO: J2006-0419 DRW: HVAJIMA CHK: DN, UKITA APP: NUKITA	DESCRIPTION 2005/11/02 2005/11/07 2005/11/10	GENERAL TOLERANCES (UNLESS SPECIFIED)		DIMENSION STYLE MM ONLY		SCALE 5:1	DESIGN UNITS METRIC	THIRD ANGLE PROJECTION	
		10 UNDER	±0.2	DRAWN BY Y. SAKIYAMA	DATE '04/02/10	TITLE BOTTOM LATCH MODULAR JACK HOUSING ASS'Y -LEAD FREE-			
		10 OVER 30 UNDER	±0.25	CHECKED BY M. SASAO	DATE '04/02/10				
		30 OVER	±0.3	APPROVED BY M. SASAO	DATE '04/02/10				
		ANGULAR ±3 °		DRAFT WHERE APPLICABLE MUST REMAIN WITHIN DIMENSIONS		MATERIAL NO. SEE CHART		DOCUMENT NO. SD-52830-001	SHEET NO. 1 OF 1
THIS DRAWING CONTAINS INFORMATION THAT IS PROPRIETARY TO MOLEX INCORPORATED AND SHOULD NOT BE USED WITHOUT WRITTEN PERMISSION									