

Reversible motor driver

BA6285FS / BA6285FP

The BA6285FS and BA6285FP are reversible-motor drivers with a maximum output current of 1.0A. Two logic inputs allow four output modes: forward, reverse, stop (idling), and brake. A built-in power saving circuit suppresses current consumption when the motor is in stop mode.

●Applications

VCRs and audio equipment in general

●Features

- 1) Logic and power sections have separate ground pins; this allows the IC to drive speed-variable, reversible motors by connecting an electronic governor circuit.
- 2) Built-in power saving circuit suppresses the stop mode current dissipation.
- 3) Output voltage can be set arbitrarily with the V_{ref} pin.
- 4) Interfaces with TTL devices.
- 5) Built-in thermal shutdown circuit.

●Absolute maximum ratings ($T_a = 25^\circ\text{C}$)

| Parameter | | Symbol | Limits | Unit |
|-----------------------|----------|------------|-----------------|------------------|
| Power supply voltage | | V_{CC} | 18 | V |
| Power dissipation | BA6285FS | P_d | 800*1 | mW |
| | BA6285FP | | 1500*2 | |
| Operating temperature | | T_{opr} | $-20 \sim +75$ | $^\circ\text{C}$ |
| Storage temperature | | T_{stg} | $-55 \sim +150$ | $^\circ\text{C}$ |
| Output current | | I_{Omax} | 1000*3 | mA |

Note: When mounted on a glass epoxy PCB ($90 \times 50 \times 1.6$ mm).

*1 Reduced by 6.4 mW for each increase in T_a of 1°C over 25°C .

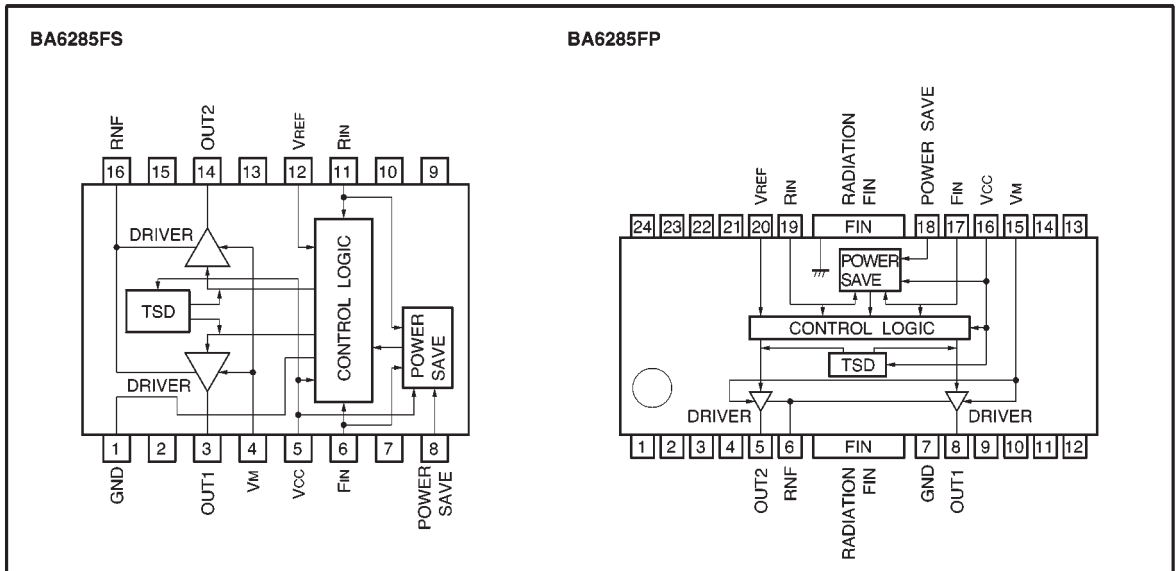
*2 Reduced by 12.0 mW for each increase in T_a of 1°C over 25°C .

*3 Should not exceed P_d or ASO values.

●Recommended operating conditions ($T_a = 25^\circ\text{C}$)

| Parameter | Symbol | Min. | Typ. | Max. | Unit |
|--------------------------------|-----------|------|------|------|------|
| Operating power supply voltage | V_{CC} | 4.5 | — | 15 | V |
| | V_M | 4.5 | — | 15 | V |
| | V_{REF} | 4.5 | — | 15 | V |

● Block diagram



● Pin descriptions

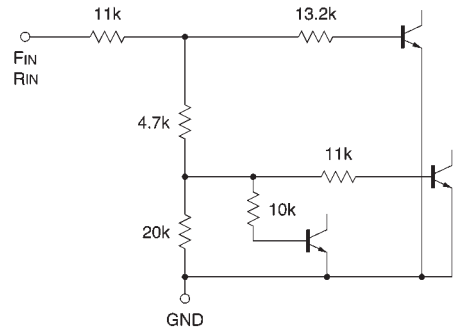
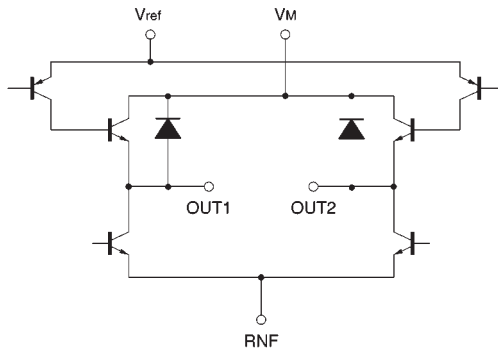
BA6285FS

| Pin No. | Pin name | Function |
|---------|------------|---|
| 1 | GND | GND |
| 2 | N.C. | — |
| 3 | OUT1 | Motor output |
| 4 | VM | Motor power supply |
| 5 | VCC | Power supply |
| 6 | FIN | Logic input |
| 7 | N.C. | — |
| 8 | POWER SAVE | Power save switch; operating mode when 0.8 V or less, standby mode when 2.0 V or more |
| 9 | N.C. | — |
| 10 | N.C. | — |
| 11 | RIN | Logic input |
| 12 | VREF | HIGH level output voltage setting |
| 13 | N.C. | — |
| 14 | OUT2 | Motor output |
| 15 | N.C. | — |
| 16 | RNF | Output section ground pin; resistor connection pin for detecting output current |

BA6285FP

| Pin No. | Pin name | Function |
|---------|------------------|---|
| 1 | N.C. | — |
| 2 | N.C. | — |
| 3 | N.C. | — |
| 4 | N.C. | — |
| 5 | OUT2 | Motor output |
| 6 | RNF | Output section ground ; resistor connection for detecting output current |
| 7 | GND | GND |
| 8 | OUT1 | Motor output |
| 9 | N.C. | — |
| 10 | N.C. | — |
| 11 | N.C. | — |
| 12 | N.C. | — |
| 13 | N.C. | — |
| 14 | N.C. | — |
| 15 | V _M | Motor power supply |
| 16 | V _{CC} | Power supply |
| 17 | F _{IN} | Logic input |
| 18 | POWER SAVE | Power save switch; operating mode when 0.8 V or less, standby mode when 2.0 V or more |
| 19 | R _{IN} | Logic input |
| 20 | V _{REF} | HIGH level output voltage setting |
| 21 | N.C. | — |
| 22 | N.C. | — |
| 23 | N.C. | — |
| 24 | N.C. | — |
| FIN | FIN | Note: make sure to connect the radiation FINS to GND |

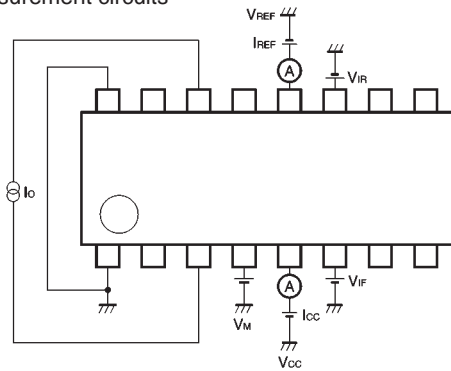
● Input / output circuits



● Electrical characteristics (unless otherwise noted, Ta = 25°, VCC = 9V, VM = 9V, VREF = 9V)

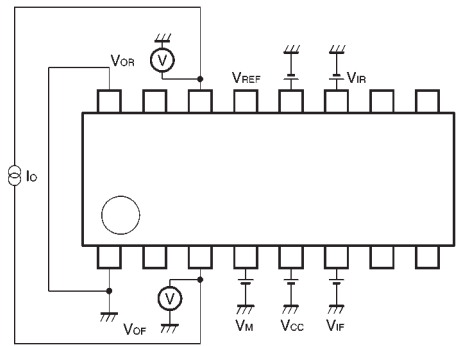
| Parameter | Symbol | Min. | Typ. | Max. | Unit | Conditions | Measurement circuit |
|-----------------------------------|---------------------|------|------|------|------|--|---------------------|
| Supply current 1 | I _{CC1} | 12 | 24 | 36 | mA | Forward or reverse mode | Fig.1,5 |
| Supply current 2 | I _{CC2} | 29 | 48 | 67 | mA | Brake mode | Fig.1,5 |
| Standby supply current | I _{ST} | — | — | 15 | μA | Standby mode | Fig.1,5 |
| V _{REF} pin sink current | I _{REF} | 6 | 12 | 18 | mA | Forward or reverse mode I _o = 200mA | Fig.1,5 |
| Input high level voltage | V _{IH} | 2.0 | — | — | V | — | Fig.2,6 |
| Input low level voltage | V _{IL} | — | — | 0.8 | V | — | Fig.2,6 |
| Input high level current | I _{IH} | 45 | 90 | 135 | μA | V _{IN} = 2.0V | Fig.2,6 |
| Output saturation voltage | V _{CE} | — | 1.0 | 1.5 | V | I _o = 200mA Sum of output transistor high- and low-side voltages | Fig.3,7 |
| Power save mode OFF voltage | V _{PS OFF} | — | — | 0.8 | V | Operating mode | Fig.4,8 |
| Power save mode ON voltage | V _{PS ON} | 2.0 | — | — | V | Standby mode | Fig.4,8 |

● Measurement circuits



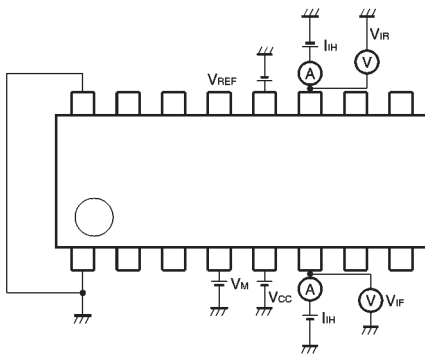
* Refer to the truth table for output mode. The supply current is represented by the I_{CC} -value, and the V_{ref} sink current is represented by the I_{REF} -value. The direction of the I_O current is from the HIGH level to the LOW level output pin.

Fig.1



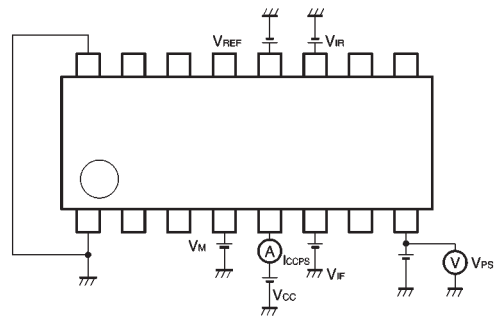
V_{CE} is the sum of the high- and low-side output transistor C-E voltages. The direction of the I_O current is from the HIGH level to the LOW level output pin.

Fig.3



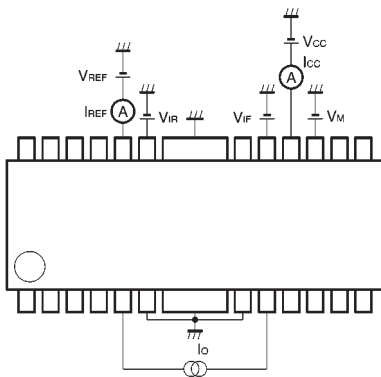
* Refer to the truth table for output mode. HIGH and LOW level input voltages correspond to the readings of V_{IF} and V_{IR} voltmeters, respectively. The HIGH level input current is represented by the I_H ammeter reading when $V_{IN} = 2\text{ V}$.

Fig.2



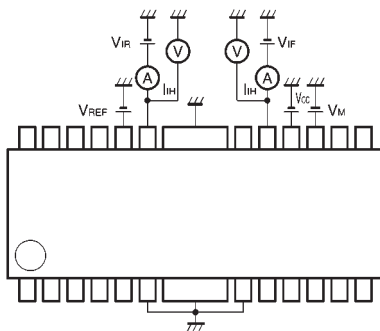
The power save mode ON voltage is represented by the V_{PS} reading when I_{CCPS} is $15\ \mu\text{A}$ or less. The power save mode OFF voltage is represented by the V_{PS} reading when I_{CCPS} is more than $15\ \mu\text{A}$.

Fig.4



* Refer to the truth table for output mode. The supply current is represented by the ICC-value, and the VREF sink current is represented by the IREF-value. The direction of the Io current is from the HIGH level to the LOW level output pin.

Fig.5



* Refer to the truth table for output mode. HIGH and LOW level input voltages correspond to the readings of VIF and VIR voltmeters, respectively. The HIGH level input current is represented by the VIH ammeter reading when VIN = 2 V.

Fig.6

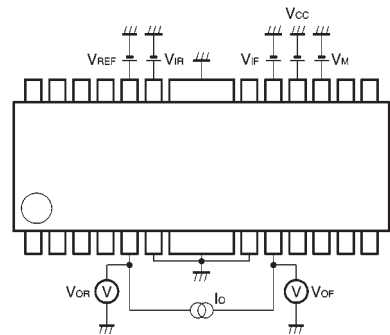
● Circuit operation

(1) Input section

The four output modes are controlled by two logic inputs. Current flows from OUT1 to OUT2 when FIN is HIGH and RIN is LOW, and from OUT2 to OUT1 when RIN is HIGH and FIN is LOW (refer to the truth table). The input circuit can be operated by a logic circuit with a current capacity of 120 ~ 170µA.

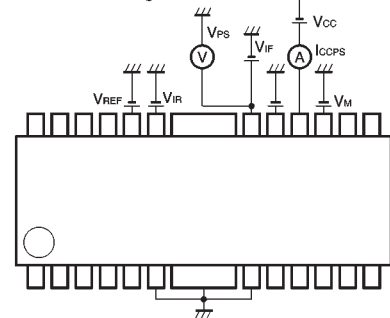
(2) Output section

Current flows from OUT1 to OUT2 during forward rotation, and from OUT2 to OUT1 during reverse rotation.



VCE is the sum of the high- and low-side output transistor C-E voltages. The direction of the Io current is from the HIGH level to the LOW level output pin.

Fig.7



The power save mode ON voltage is represented by the VPS reading when ICCPS is 15 µA or less. The power save mode OFF voltage is represented by the VPS reading when ICCPS is more than 15 µA.

Fig.8

The output voltages VOH and VOL are given by :

$$V_{OH} [V] = V_{REF} - V_{CE(sat)} (PNP) - V_{BE} (NPN)$$

$$V_{OL} [V] = V_{CE(sat)} (NPN)$$

VCE and VBE are functions of the output current (see electrical characteristic curves). The output current can be set with the VREF pin.

(3) Power saving circuit

All circuits are turned OFF when the FIN and RIN input pins are both LOW or the POWER SAVE pin is HIGH. This circuit saves power during standby mode by leaving the outputs OPEN.

(4) Thermal shutdown circuit

When the thermal shutdown circuit is activated at the chip temperature of about 175°C (typical), the outputs are left OPEN. The temperature difference between the activation and deactivation settings is about 15°C. When the thermal shutdown circuit is deactivated, the outputs revert to the status determined by input mode.

●Application examples

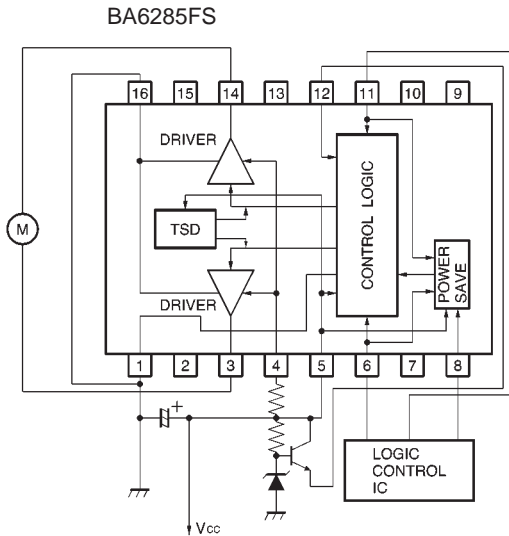


Fig.9

●Input / output truth table

| F _{IN} | R _{IN} | OUT2 | OUT1 | Mode |
|-----------------|-----------------|------|------|---------|
| H | L | L | H | Forward |
| L | H | H | L | Reverse |
| H | H | L | L | Brake |
| L | L | OPEN | OPEN | Standby |

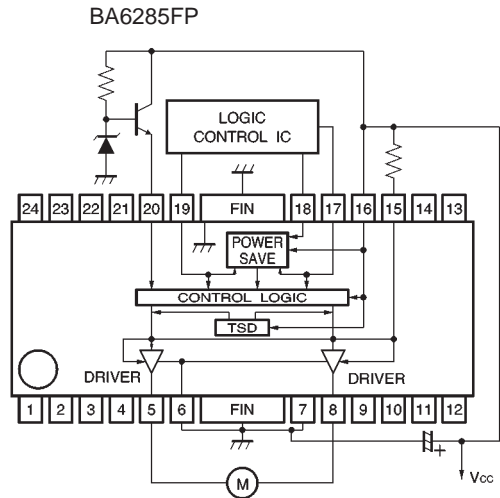


Fig.10

●Operation notes

(1) The quality of these products have been carefully checked; however, use of the products with applied voltages, operating temperatures, or other parameters that exceed the absolute maximum rating given may result in the damage of the IC and the product it is used in. If the IC is damaged, the short mode and open modes cannot be specified, so if the IC is to be used in applications where parameters may exceed the absolute maximum ratings, then be sure to incorporate fuses, or other physical safety measures.

(2) GND potential

The potential for pin 1 must be kept lower than the potentials of the other pins regardless of the circumstances.

(3) Input pins

Voltage should never be applied to the input pins when the V_{CC} voltage is not applied to the IC. Similarly, when V_{CC} is applied, the voltage on each input pin should be less than V_{CC} and within the guaranteed range for the electrical characteristics.

(4) Back-rush voltage

Depending on the ambient conditions, environment, or motor characteristics, the back-rush voltage may fluctuate. Be sure to confirm that the back-rush voltage will not adversely affect the operation of the IC.

(5) Large current line

Large currents are carried by the motor power supply and motor ground for these ICs.

Therefore, the layout of the pattern of the PC board and the constants of certain parameters for external components, such as the capacitor between the power supply and ground, may cause this large output current to flow back to the input pins, resulting in output oscillation or other malfunctions. To prevent this, make sure that the PC board layout and external circuit constants cause no problems with the characteristics of these ICs.

(6) Power dissipation

The power dissipation will fluctuate depending on the mounting conditions of the IC and the ambient environment. Make sure to carefully check the thermal design of the application where these ICs will be used.

(7) Power consumption

The power consumption by the IC varies widely with the power supply voltage and the output current. Give full consideration to the power dissipation rating and the thermal resistance data and transient thermal resistance data, to provide a thermal design so that none of the ratings for the IC are exceeded.

(8) ASO

Make sure that the output current and supply voltage do not exceed the ASO values.

(9) Precautions for input mode switching

To ensure reliability, it is recommended that the mode switching for the motor pass once through the open mode.

(10) In-rush current

There are no circuits built into these ICs that prevent in-rush currents. Therefore, it is recommended to place a current limiting resistor or other physical countermeasure.

(11) Factors regarding the thermal, power supply, and motor conditions

If the potential of the output pin sways greatly and goes below the potential of ground, the operation of the IC may malfunction or be adversely affected. In such a case, place a diode between the output and ground, or other measure, to prevent this.

(12) HIGH level output voltage setting pin

Ensure that the voltage applied to the V_{REF} pin does not exceed the voltage on the motor power supply pin or the V_{CC} pin.

(13) The input and POWER SAVE pins have temperature-dependent characteristics. Take the temperature effect into consideration when using the IC.

(14) To eliminate motor noise, connect a capacitor between OUT1 and GND and between OUT2 and GND. Alternatively, connect a capacitor between OUT1 and OUT2, and also a diode between OUT1 and GND and between OUT2 and GND (see Fig. 11).

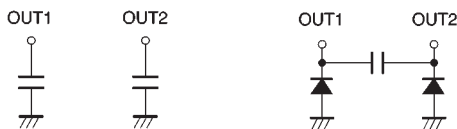


Fig.11

●Electrical characteristic curves

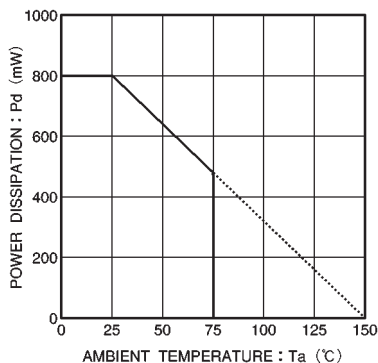


Fig.12 Temperature dependence of power dissipation curve (BA6285FS)

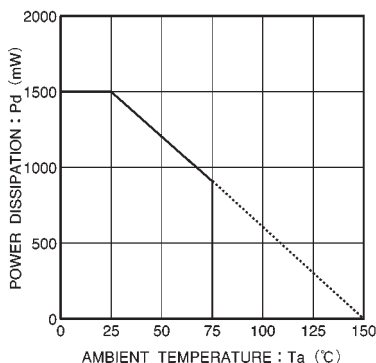


Fig.13 Temperature dependence of power dissipation curve (BA6285FP)

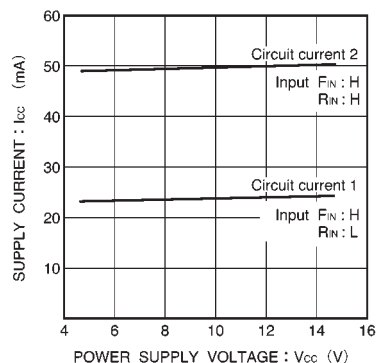


Fig.14 Supply current vs. power supply voltage

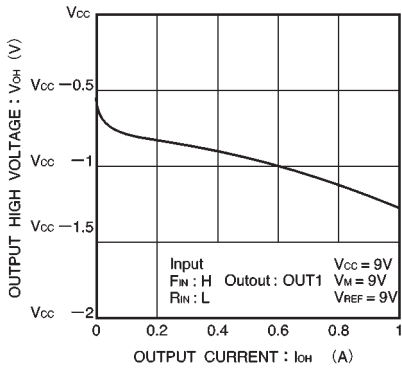


Fig.15 Output high level voltage vs. output current

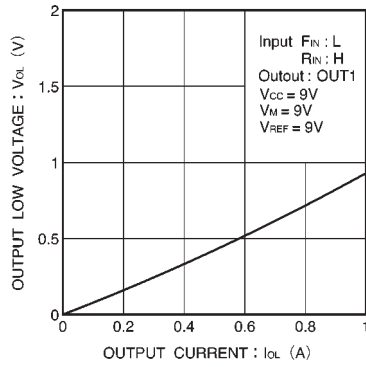


Fig.16 Output low level voltage vs. output current

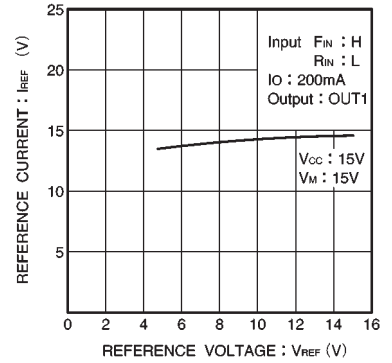


Fig.17 V_{REF} reference current vs. V_{REF} reference voltage

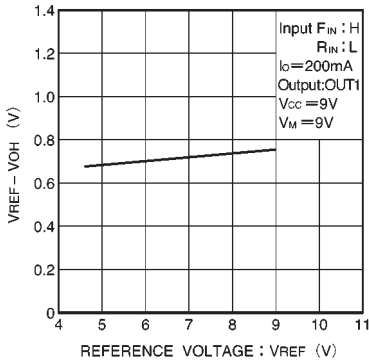


Fig.18 V_{REF} - V_{OH} voltage vs. V_{REF} reference voltage

● External dimensions (Units: mm)

