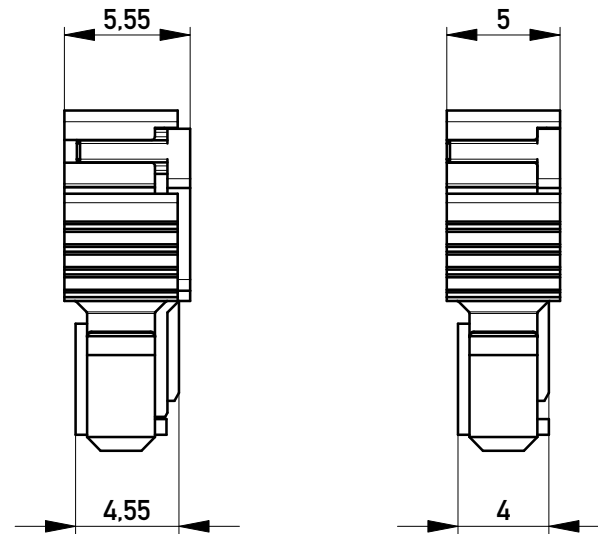
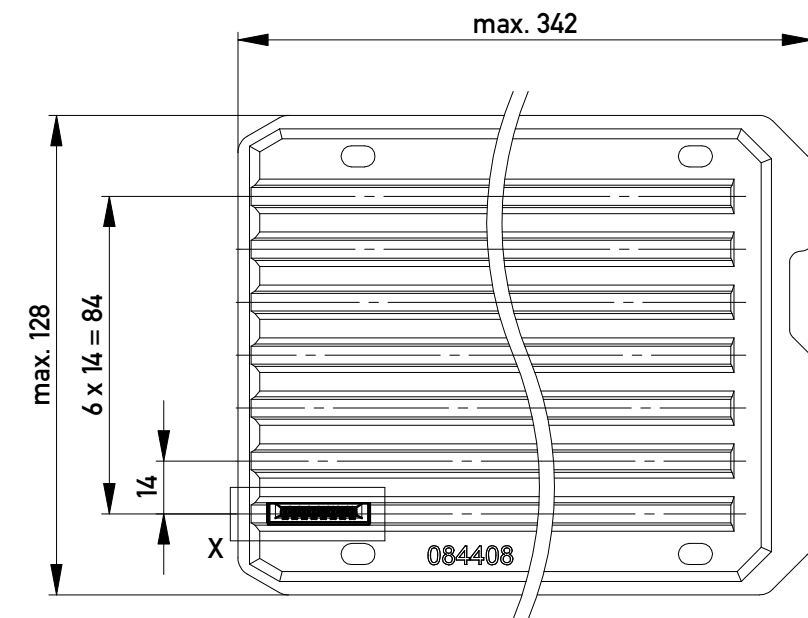


Abdeckung vorverrastet
cover loose mounted

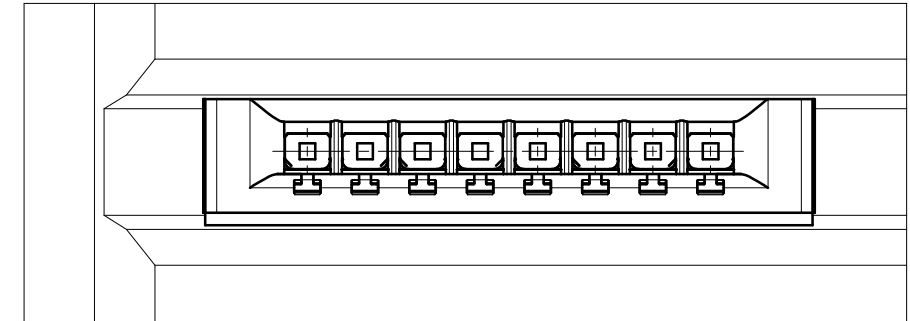
Abdeckung verpresst
cover pressed on



Verpackt in Tray - tray packaging
Verpackungseinheit 77 Stück - packaging unit 77



Einzelheit X
detail X



Copyright by ERNI GmbH
Proprietary notice pursuant to ISO 16016 to be observed.

| | | | | |
|---|------------|--|-----------------------------|--|
| Information: Codierung schwarz - Coding black | | Tolerances | All Dimensions in mm | Scale 3:1 |
| All rights reserved. Only for Information. To ensure that this is the latest version of this drawing, please contact one of the ERNI companies before using. | | Subject to modification without prior notice. Drawing will not be updated. | | Designation F 2.54 SRC-A, 8-polig BA 2 |
| | | www.ERNI.com | | 100103640001 |
| d | 13.08.2015 | | | K |
| Index | Date | | | A3 |
| | | | | Class SRCBUG |