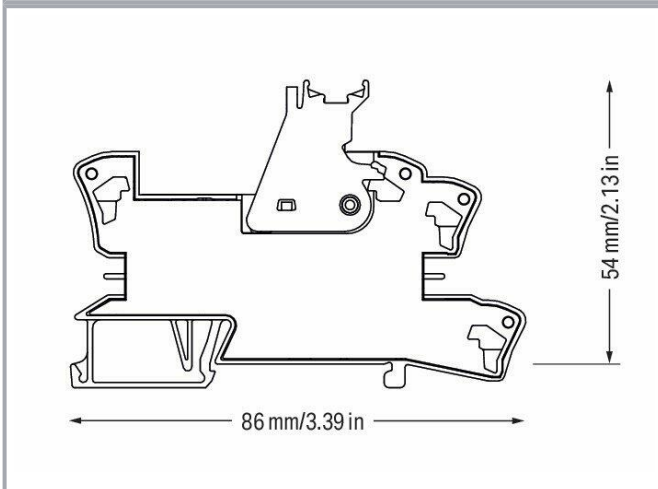
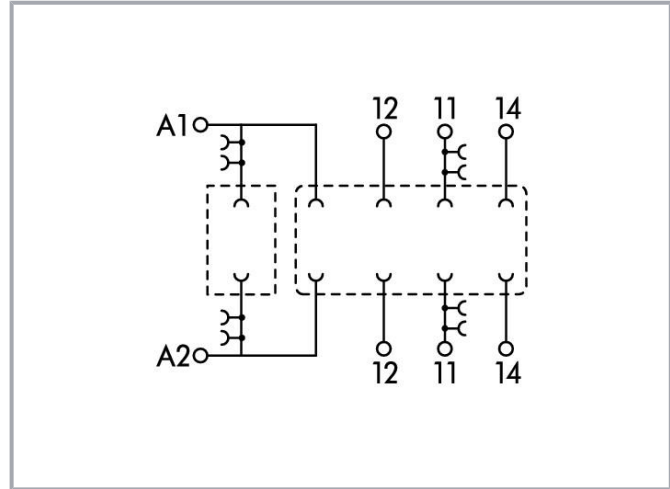
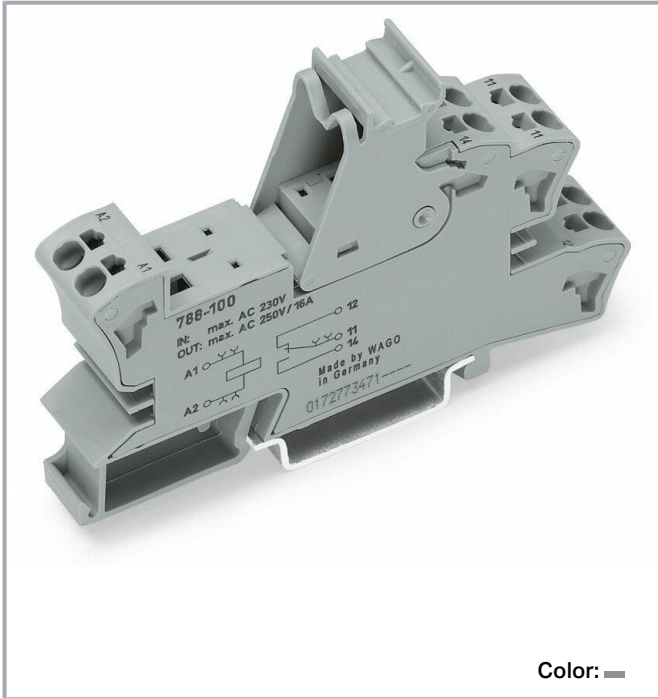


**Data sheet | Item number: 788-100**

Relay socket; 1 changeover contact; for 15 mm basic relays; gray

[www.wago.com/788-100](http://www.wago.com/788-100)



**Data  
Notes**

Note

Bei den angegebenen technischen Daten handelt es sich um

Subject to changes. Please also observe the further product documentation!

WAGO Kontakttechnik GmbH & Co. KG  
Hansastr. 27  
32423 Minden  
Phone: +49571 887-0 | Fax: +49571 887-169  
Email: [info.de@wago.com](mailto:info.de@wago.com) | Web: [www.wago.com](http://www.wago.com)

Do you have any questions about our products?  
We are always happy to take your call at +49 (571) 887-44222.



Maximalwerte. Diese können durch das verwendete Zubehör eingeschränkt werden.

## Technical data

### Control circuit

Nominal input voltage $U_N$	AC/DC 230 V
Input voltage range	AC/DC 0 ... 250 V
Nominal input current at $U_N$	0

### Load circuit

Number of changeover/switchover contacts	1
Limiting continuous current	16 A
Switching voltage (max.)	AC 300 V

### Safety and protection

Rated voltage	300 V
Overvoltage category	II
Pollution degree	3
Dielectric strength, control/load circuit (AC, 1 min)	6 kVrms
Dielectric strength, open contact (AC, 1 min)	1 kVrms
Dielectric strength, channel/channel (AC, 1 min.)	(depending on relay)
Insulation type (control/load circuit)	Reinforced insulation (safe isolation)
Insulation type (between adjacent devices of the the same type)	Basic insulation
Protection type	IP20

### Connection data

Connection technology	Push-in CAGE CLAMP®
Solid conductor	0.34 ... 2.5 mm <sup>2</sup> / 22 ... 14 AWG
Fine-stranded conductor	0.34 ... 2.5 mm <sup>2</sup> / 22 ... 14 AWG
Strip length	9 ... 10 mm / 0.35 ... 0.39 inch

### Physical data

Width	15 mm / 0.591 inch
Height	86 mm / 3.386 inch

Subject to changes. Please also observe the further product documentation!

Depth from upper edge of DIN-rail	54 mm / 2.126 inch
-----------------------------------	--------------------

### Mechanical data

Mounting type	DIN-35 rail
---------------	-------------

### Material data

Color	gray
Weight	31.2 g

### Environmental requirements

Surrounding air temperature (operation at $U_N$ )	-40 ... 70 °C
Surrounding air temperature (storage)	-40 ... 80 °C
Processing temperature	-25 ... +50 °C
Relative humidity	5 ... 95 % (no condensation permissible)
Operating altitude (max.)	2000 m

### Standards and specifications




Standards/Specifications	EN 61010-2-201
--------------------------	----------------

### Commercial data

Product Group	6 (Interface Electronics)
PU (SPU)	20 (1) Each
Packaging type	box
Country of origin	CN
GTIN	4050821591764
Customs tariff number	85366990990

### Optional accessories

#### Ferrule

Ferrule		
	<b>Item no.: 216-241</b> Ferrule; Sleeve for 0.5 mm <sup>2</sup> / 20 AWG; insulated; electro-tin plated; electrolytic copper; gastight crimped; acc. to DIN 46228, Part 4/09.90; white	<a href="http://www.wago.com/216-241">www.wago.com/216-241</a>
	<b>Item no.: 216-242</b> Ferrule; Sleeve for 0.75 mm <sup>2</sup> / 18 AWG; insulated; electro-tin plated; electrolytic copper; gastight crimped; acc. to DIN 46228, Part 4/09.90; gray	<a href="http://www.wago.com/216-242">www.wago.com/216-242</a>
	<b>Item no.: 216-243</b>	

Subject to changes. Please also observe the further product documentation!

Ferrule; Sleeve for 1 mm<sup>2</sup> / AWG 18; insulated; electro-tin plated; electrolytic copper; gastight crimped; acc. to DIN 46228, Part 4/09.90; red [www.wago.com/216-243](http://www.wago.com/216-243)

**Item no.: 216-244**

Ferrule; Sleeve for 1.5 mm<sup>2</sup> / AWG 16; insulated; electro-tin plated; electrolytic copper; gastight crimped; acc. to DIN 46228, Part 4/09.90; black

[www.wago.com/216-244](http://www.wago.com/216-244)

image coming soon

**Item no.: 216-542**

Twin ferrule; Sleeve for 2 x 1 mm<sup>2</sup> / AWG 2 x 18; red, insulated; 12 mm long; red

[www.wago.com/216-542](http://www.wago.com/216-542)**Jumpers**

## Jumper

**Item no.: 788-116**

Jumper; for jumper slot; 6-way; insulated

[www.wago.com/788-116](http://www.wago.com/788-116)**Item no.: 788-117**

Jumper; for jumper slot; 8-way; insulated

[www.wago.com/788-117](http://www.wago.com/788-117)**Item no.: 788-114**

Jumper; for jumper slot; 3-way; insulated

[www.wago.com/788-114](http://www.wago.com/788-114)**Item no.: 788-113**

Jumper; for jumper slot; 2-way; insulated

[www.wago.com/788-113](http://www.wago.com/788-113)**Item no.: 788-115**

Jumper; for jumper slot; 4-way; insulated

[www.wago.com/788-115](http://www.wago.com/788-115)**Item no.: 859-402**

Jumper; for jumper slot; 2-way; insulated; light gray

[www.wago.com/859-402](http://www.wago.com/859-402)**Item no.: 788-118**

Jumper; for jumper slot; from 1 to 3; insulated

[www.wago.com/788-118](http://www.wago.com/788-118)**Tool**

## Operating tool

**Item no.: 210-720**

Operating tool; Blade: 3.5 x 0.5 mm; with a partially insulated shaft; multicoloured

[www.wago.com/210-720](http://www.wago.com/210-720)**Indicators**

## Operation status indicator

**Item no.: 788-120**

Accessories for relay modules; Operation status indicator: red; Nominal operating voltage: 24 VDC

[www.wago.com/788-120](http://www.wago.com/788-120)**Item no.: 788-122**

Operation status indicator; 110 VDC

[www.wago.com/788-122](http://www.wago.com/788-122)**Item no.: 788-123**

Accessories for relay modules; Operation status indicator: red; Nominal operating voltage: 24 VAC

[www.wago.com/788-123](http://www.wago.com/788-123)

Subject to changes. Please also observe the further product documentation!

WAGO Kontakttechnik GmbH & Co. KG

Hansastr. 27











32423 Minden

Phone: +49571 887-0 | Fax: +49571 887-169

Email: [info.de@wago.com](mailto:info.de@wago.com) | Web: [www.wago.com](http://www.wago.com)

Do you have any questions about our products?

We are always happy to take your call at +49 (571) 887-44222.

	<b>Item no.: 788-124</b> Accessories for relay modules; Operation status indicator: red	<a href="http://www.wago.com/788-124">www.wago.com/788-124</a>
	<b>Item no.: 788-121</b> Accessories for relay modules; Operation status indicator: red; Nominal operating voltage range: 48 ... 60 VDC	<a href="http://www.wago.com/788-121">www.wago.com/788-121</a>
	<b>Item no.: 788-125</b> Accessories for relay modules; Operation status indicator: red	<a href="http://www.wago.com/788-125">www.wago.com/788-125</a>
<b>Marking accessories</b>		
Marking strip		
	<b>Item no.: 2009-110</b> Marking strips; for Smart Printer; on reel; not stretchable; plain; snap-on type; white	<a href="http://www.wago.com/2009-110">www.wago.com/2009-110</a>
Marking device		
	<b>Item no.: 210-110</b> Fiber-tip pen	<a href="http://www.wago.com/210-110">www.wago.com/210-110</a>
Double marker carrier		
	<b>Item no.: 209-128</b> Adaptor; gray	<a href="http://www.wago.com/209-128">www.wago.com/209-128</a>
Protective marker cover		
	<b>Item no.: 209-184</b> Protection cover; transparent	<a href="http://www.wago.com/209-184">www.wago.com/209-184</a>
Marker		
	<b>Item no.: 2009-115</b> WMB-Inline; for Smart Printer; 1500 pieces on roll; stretchable 5 - 5.2 mm; plain; snap-on type; white	<a href="http://www.wago.com/2009-115">www.wago.com/2009-115</a>
	<b>Item no.: 209-183</b> Marker card; white	<a href="http://www.wago.com/209-183">www.wago.com/209-183</a>
	<b>Item no.: 793-501</b> WMB marking card; as card; not stretchable; plain; snap-on type; white	<a href="http://www.wago.com/793-501">www.wago.com/793-501</a>
	<b>Item no.: 793-502</b> WMB marking card; as card; MARKED; 1 ... 10 (10x); not stretchable; Horizontal marking; snap-on type; white	<a href="http://www.wago.com/793-502">www.wago.com/793-502</a>
	<b>Item no.: 793-503</b> WMB marking card; as card; MARKED; 11 ... 20 (10x); not stretchable; Horizontal marking; snap-on type; white	<a href="http://www.wago.com/793-503">www.wago.com/793-503</a>
	<b>Item no.: 793-504</b> WMB marking card; as card; MARKED; 21 ... 30 (10x); not stretchable; Horizontal marking; snap-on type; white	<a href="http://www.wago.com/793-504">www.wago.com/793-504</a>
	<b>Item no.: 793-505</b>	

Subject to changes. Please also observe the further product documentation!



WMB marking card; as card; MARKED; 31 ... 40 (10x); not stretchable; Horizontal marking; snap-on type; [www.wago.com/793-505](http://www.wago.com/793-505)  
white

Group marker carrier



**Item no.: 209-145**  
Group marker carrier; white

[www.wago.com/209-145](http://www.wago.com/209-145)



**Item no.: 249-105**  
Group marker carrier; gray

[www.wago.com/249-105](http://www.wago.com/249-105)

## Downloads

### Documentation

#### Bid Text

788-100 docx - Datei	2019. 2. 20.	docx 16.3 kB	Download
-------------------------	--------------	-----------------	----------

788-100 X81 - Datei	2019. 2. 19.	xml 3.7 kB	Download
------------------------	--------------	---------------	----------

#### Instruction Leaflet

Sockets with Elementary Relay/ SSR	V 1.0.1 2020. 10. 9.	pdf 2.3 MB	Download
------------------------------------	-------------------------	---------------	----------

#### Additional Information

Disposal; Electrical and electronic equipment, Packaging	V 1.0.0	pdf 265.8 kB	Download
--	---------	-----------------	----------

## CAD/CAE-Data

### CAE data

ZUKEN Portal 788-100	URL	Download
----------------------	-----	----------

EPLAN Data Portal 788-100	URL	Download
---------------------------	-----	----------

WSCAD Universe 788-100	URL	Download
------------------------	-----	----------

### CAD data

Subject to changes. Please also observe the further product documentation!

WAGO Kontakttechnik GmbH & Co. KG  
Hansastr. 27  
32423 Minden  
Phone: +49571 887-0 | Fax: +49571 887-169  
Email: [info.de@wago.com](mailto:info.de@wago.com) | Web: [www.wago.com](http://www.wago.com)

Do you have any questions about our products?  
We are always happy to take your call at +49 (571) 887-44222.



2D/3D Models 788-100

[URL](#)

[Download](#)

---

## Environmental Product Compliance

### Compliance Search

Environmental Product Compliance 788-100

[URL](#)

[Download](#)

Relay socket; 1 changeover contact; for 15 mm basic relays; gray

---

## Installation Notes

Subject to changes. Please also observe the further product documentation!

---

WAGO Kontakttechnik GmbH & Co. KG

Hansastr. 27

32423 Minden

Phone: +49571 887-0 | Fax: +49571 887-169

Email: [info.de@wago.com](mailto:info.de@wago.com) | Web: [www.wago.com](http://www.wago.com)

Do you have any questions about our products?

We are always happy to take your call at +49 (571) 887-44222.