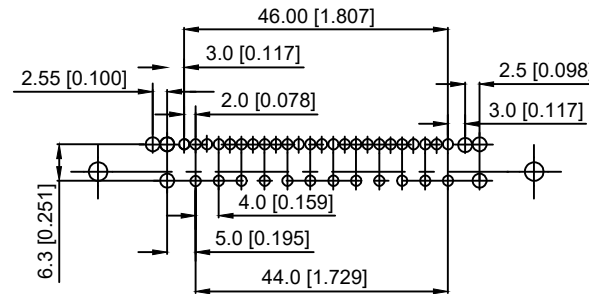
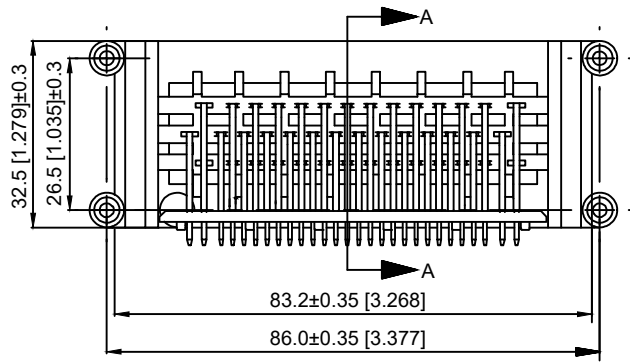
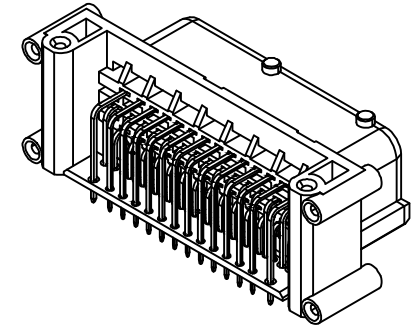
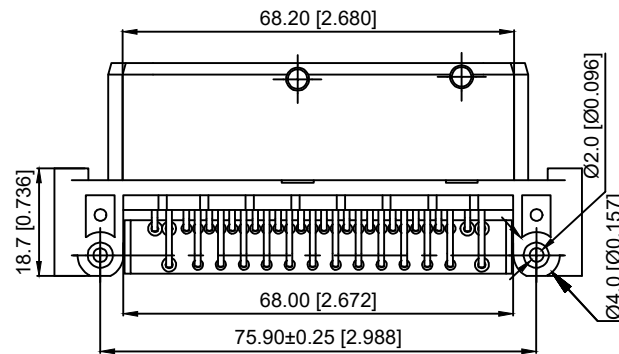
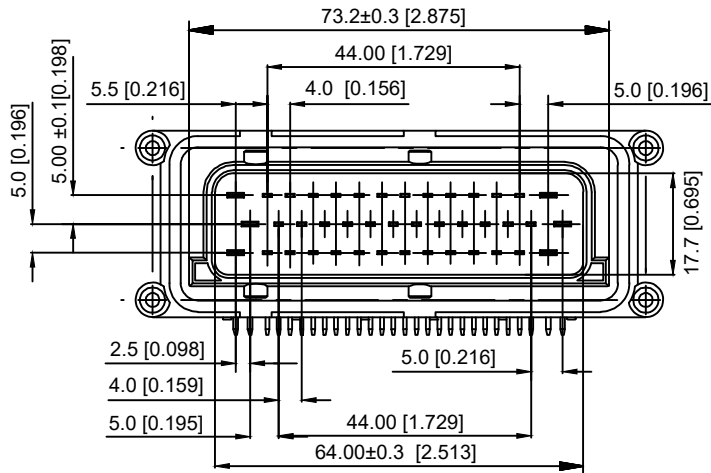


Current rating:5A AC/DC  
 额定电流:5A AC/DC  
 Temperature range:-40°C~+125°C  
 温度范围: -40°C~+125°C



K 967280 W R - XX - PT SN  
 ① ② ③ ④ ⑤ ⑥ ⑦

- 1.K: XKBTEK-Car Connector
- 2.XKB Series No
- 3.Category:W-Wafer
- 4.Welding Board Range:R-Stright 90°
- 5.Row No.Pin No:XX-42 Pin
- 6.Material:PT-PBT
- 7.Palting:SN-Plated Tin



K967280WR-XX-PTSN	PBT	Brass	K967280H
PART NO	Material	Material(Pin)	Suitable XKB Housing

DSND	SCALE: N/A	MODEL TYPE: 5.0mm Automobile connector
DWN	VIEW:	PART NO.: K967280WR-XX-PTSN
CHKD	UNIT: mm/in	DWG NO.: X-K967280WR-XX-PTSN
APPD	SIZE: A4	

					ANGLAR	±5°
ΔX					L ≤ 4	±0.2
ΔX					4 < L ≤ 16	±0.3
ΔX					16 < L ≤ 63	±0.4
MARK					L > 63	±0.5
REVISIONS					UNSPECIFIED TOLERANCES	
www.helloxkb.com www.helloxkb.cn www.xk-dg.cn						



XKB INDUSTRIAL PRECISION CO.,LIMITED

WEIGHT	SHEET	REVISION
	1/1	A0