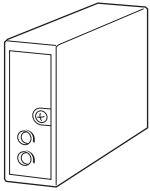


Dual Output Super-mini Signal Conditioners Pico-M Series

CT CONVERTER

Functions & Features

- Converting an alternating current from a current transformer into a standard process signal
- True RMS sensing
- Space-saving, easy-to-maintain, multi-channel installation base



MODEL: M8CT-[1][2]-R[3]

ORDERING INFORMATION

- Code number: M8CT-[1][2]-R[3]
- Specify a code from below for each of [1] through [3].
(e.g. M8CT-16A-R/Q)
- Specify the specification for option code /Q
(e.g. /C01 /V01)

[1] INPUT

Current

- 1: 0 - 1 A AC
- 5: 0 - 5 A AC

[2] OUTPUT 1 / OUTPUT 2

- 6A: 1 - 5 V DC (Load resistance 2500 Ω min.)
/ 4 - 20 mA DC (Load resistance 300 Ω max.)
- 44: 0 - 10 V DC (Load Resistance 5000 Ω min.)
/ 0 - 10 V DC (Load Resistance 5000 Ω min.)
- 55: 0 - 5 V DC (Load resistance 2500 Ω min.)
/ 0 - 5 V DC (Load resistance 2500 Ω min.)
- 66: 1 - 5 V DC (Load resistance 2500 Ω min.)
/ 1 - 5 V DC (Load resistance 2500 Ω min.)

POWER INPUT

DC Power

- R: 24 V DC
- (Operational voltage range 24 V \pm 10 %, ripple 10 %p-p max.)

[3] OPTIONS

- blank: none
- /Q: Options other than the above (specify the specification)

SPECIFICATIONS OF OPTION: Q (multiple selections)

COATING (For the detail, refer to M-System's web site.)

- /C01: Silicone coating
- /C02: Polyurethane coating
- /C03: Rubber coating

ADJUSTMENT

- /V01: Multi-turn fine adjustment

RELATED PRODUCTS

- Installation Base or Single Mount Base Socket (model: M8BSx)
- This unit must be mounted on dedicated base or socket except Model M8BS-1-1 socket.

GENERAL SPECIFICATIONS

- Construction:** Plug-in
- Mounting screw:** M3 screw (torque 0.3 N·m)
- Housing material:** Flame-resistant resin (black)
- Power supply:** Via the Installation Base terminals (model: M8BSx)
- Isolation:** Input to output 1 to output 2 to power
- Input waveform**
 - RMS sensing:** Up to 15 % of 3rd harmonic content
 - Zero adjustment:** -2 to +2 % (front)
 - Span adjustment:** 98 to 102 % (front)

INPUT SPECIFICATIONS

- Frequency:** 50 or 60 Hz
- Input burden:** \leq 0.1 VA (input 0 - 1 A)
 \leq 0.5 VA (input 0 - 5 A)
- Overload capacity:** 1000 % of rating for 5 sec., 120 % continuous
- Operational range:** 0 - 120 % of rating

INSTALLATION

- Current consumption:** Approx. 30 mA (50 mA for current output)
- Operating temperature:** 0 to 55°C (32 to 131°F)
- Operating humidity:** 30 to 95 %RH (non-condensing)
- Mounting:** Installation Base (model: M8BSx)
- Weight:** 70 g (2.5 oz)

PERFORMANCE in percentage of span

- Accuracy:** \pm 0.25 %
- Temp. coefficient:** \pm 0.02 %/°C (\pm 0.01 %/°F)

Response time: ≤ 0.25 sec. (0 - 90 %)

Ripple: 0.5 %p-p max.

Line voltage effect: ± 0.1 % over voltage range

Insulation resistance: ≥ 100 M Ω with 500 V DC

Dielectric strength:

1500 V AC @1 minute (input to output 1 or output 2 or power to ground)

500 V AC @1 minute (output 1 to output 2 to power)

SWC test: ANSI/IEEE-C37.90.1-1989

WARNING

The CTR Must Be Connected Correctly.

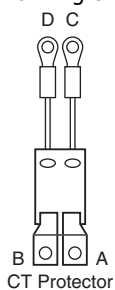
1) The CT protector (model: CTR) included in the product package must be used for safe operations. Turning on the CT without connecting the CTR opens the circuit and is potentially dangerous.

2) The CTR is not interchangeable with another.

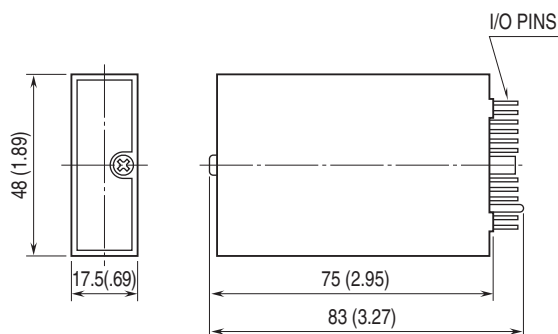
Be sure to match the serial No. of the CTR to that of the converter.

3) Connect the CTR's wires (C, D) and metal legs (A, B) to the corresponding terminals of the installation base as indicated in the figure to the right. The metal legs (A, B) are to be secured at the base terminals together with the output wires from the CT. Wrong connection may cause abnormally high temperature in the unit which could lead a fire in the worst cases.

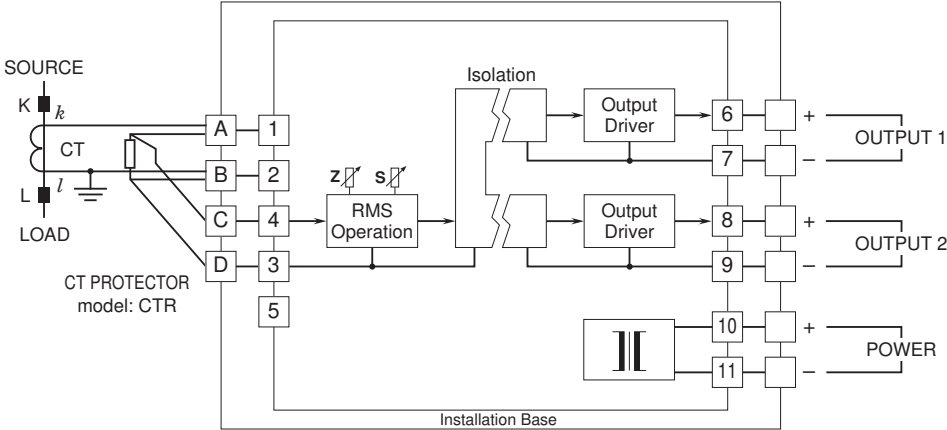
4) Confirm the right connection of the CTR again before turning on the CT.



EXTERNAL DIMENSIONS unit: mm (inch)



SCHEMATIC CIRCUITRY & CONNECTION DIAGRAM



Specifications are subject to change without notice.